

1

2

3

4

5

6

A

A

B

B

C

C

D

D

1

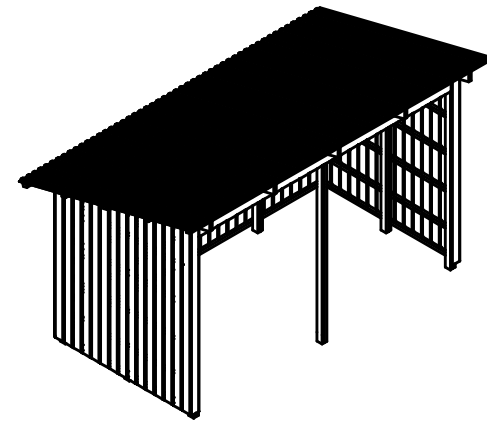
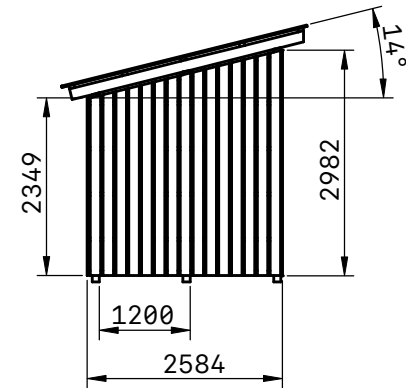
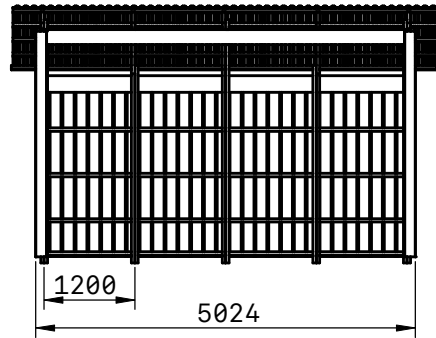
2

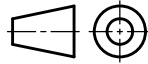
3

4

5

6



TITLE		
Vedbod		
LAST UPDATED	UNITS	SHEET
10/25/22	mm	1 / 1
FIRST ANGLE PROJECTION	SCALE	SIZE
	1:100	A4