

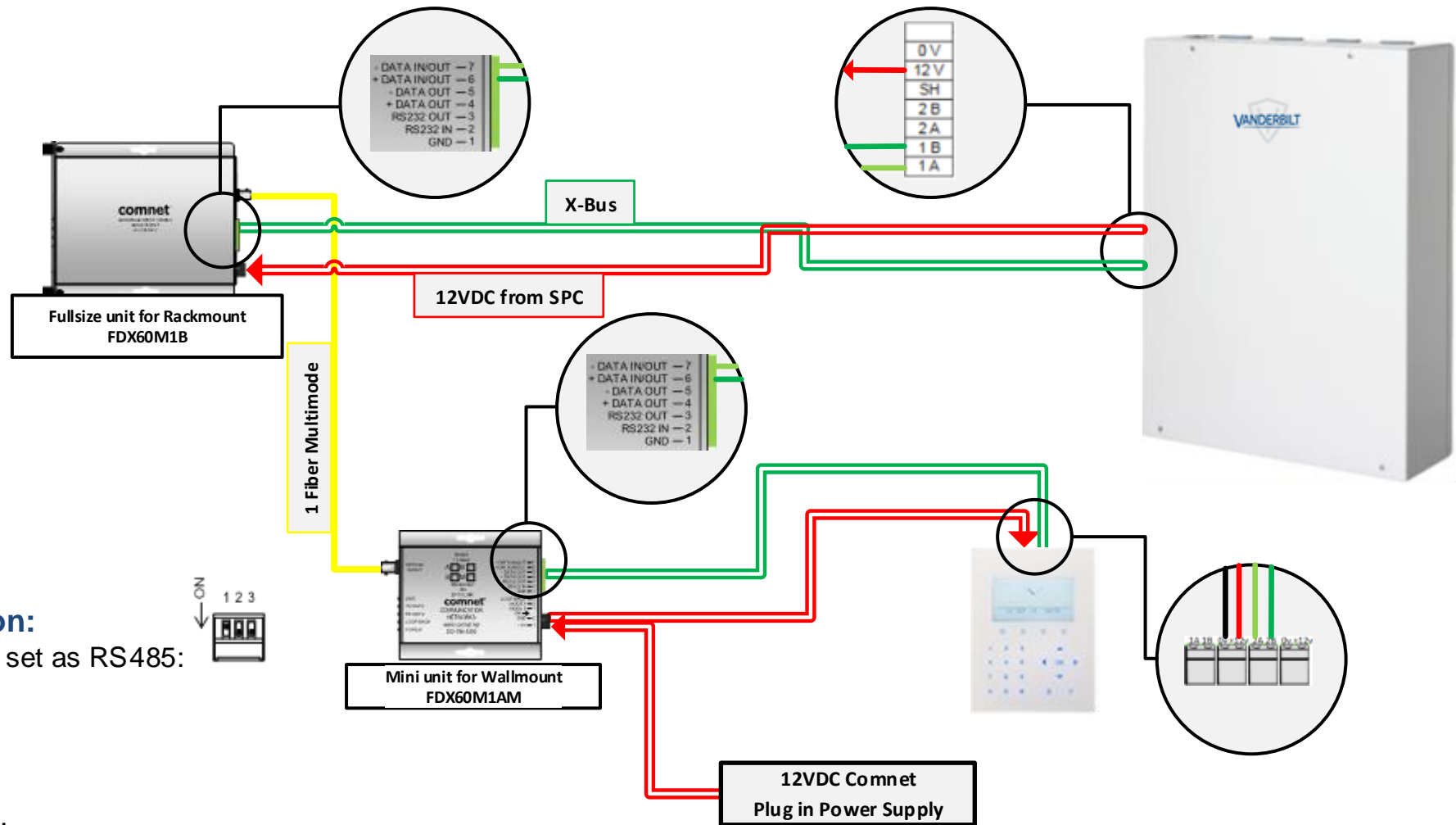


# FDX60 1-Fiber Multimode to X-Bus SPC

## Comnet to SPC

### Application note

TCC-2018-021\_FDX60M1-Fiber-Multimode-to-X-Bus-SPC\_330\_01\_EN



### Additional information:

→ Configuration DIP to set as RS485:

- DIP 1 is OFF
- DIP 2 is ON
- DIP 3 is ON

→ Information for wiring:

- use Pin 6 and 7 in ComNet units for the data communication
- from SPC side → A to 7 and B to 6

**We do not recommend more than 3 pairs per X-Bus channel. If you use a loop then that is 3 pairs across the whole X-Bus!**

**Note:**

- Tested with: SPC Firmware version v3.9.0, SPCK521.100
- Other combination possible tested with **FDX60 M2M 2 fibre units**

**VANDERBILT**

[vanderbiltindustries.com](http://vanderbiltindustries.com)

 @VanderbiltInd  Vanderbilt Industries



**Vanderbilt International GmbH**

Borsigstrasse 34  
65205 Wiesbaden  
Germany