

1

2

3

4

A

A

B

B

C

C

D

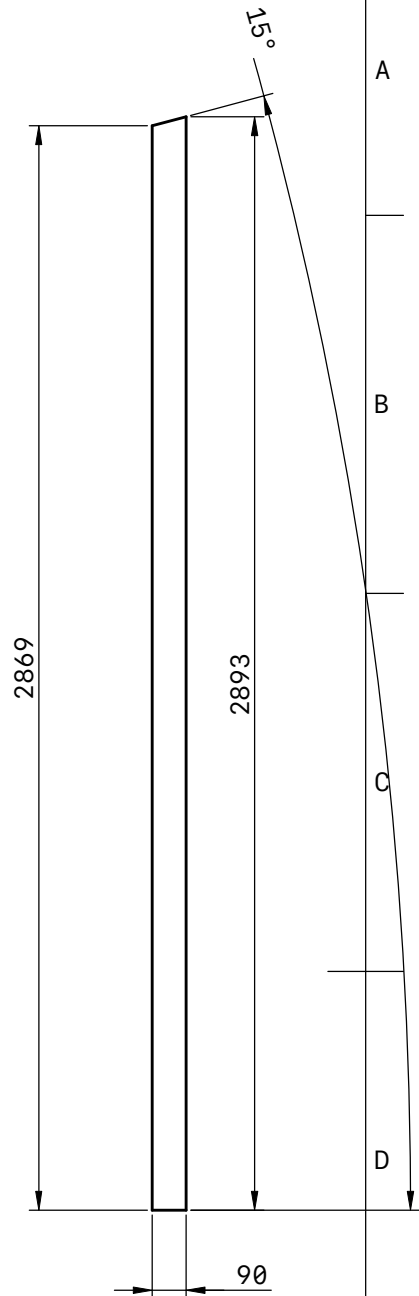
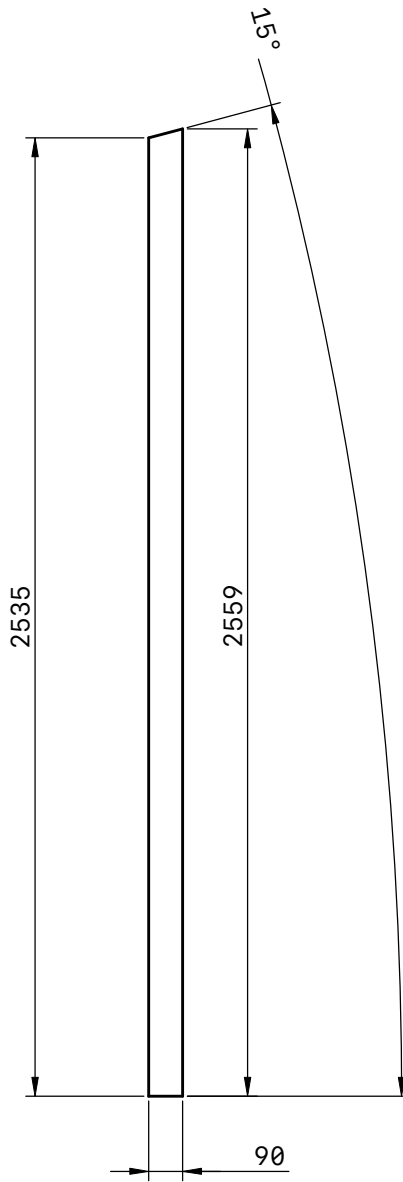
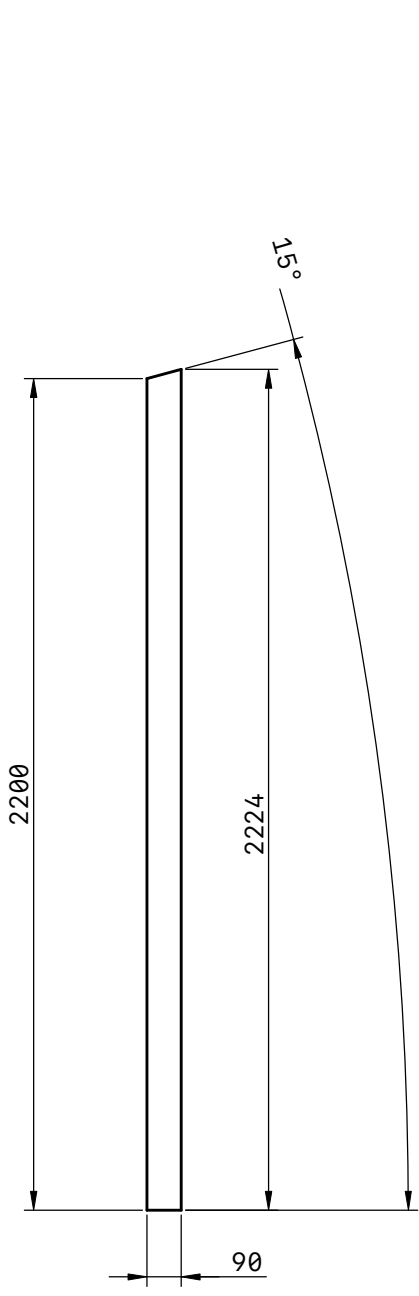
D

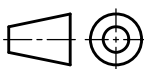
E

E

F

F



| | | |
|---|-------------|--------------|
| TITLE | | |
| Stående stomme 3x3 | | |
| LAST UPDATED | UNITS | SHEET |
| 10/17/22 | mm | 1 / 1 |
| FIRST ANGLE PROJECTION | SCALE | SIZE |
|  | 1:20 | A4 |

1

2

3

4