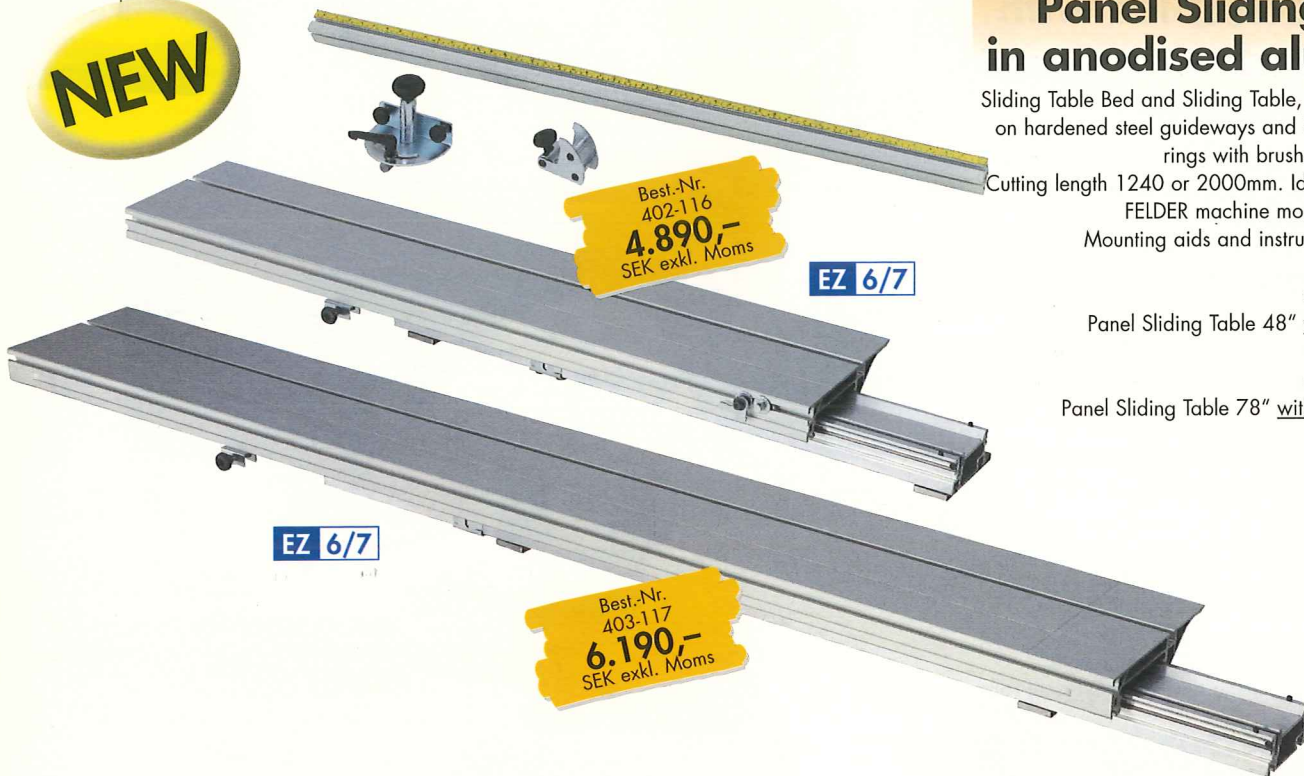


Sliding + Outrigger Tables for BF 5 + KFS 36

NEW



Panel Sliding Tables in anodised aluminum

Sliding Table Bed and Sliding Table, Sliding Table slides on hardened steel guideways and hardened steel bearings with brushes for dust removal. Cutting length 1240 or 2000mm. Ideal for installing on FELDER machine models BF5 & KFS 36. Mounting aids and instructions are included.

order no. 402-116
Panel Sliding Table 48" with Crosscut Fence

order no. 403-117
Panel Sliding Table 78" without Crosscut Fence

NEW



Outrigger Table for Panel Sliding Table in anodised aluminum

Ideal for retrofit on FELDER BF 5 and KFS-36 machines, consisting of 3 articles:

- 1) Outrigger with flanged rollers in the swing arm, panel support table, size is 38" x 20", integrated positioning holes for Telescopic Fence
- 2) Telescopic Fence 86", brackets and instructions included
- 3) Mounting Bracket for Swing Arm, instructions and fasteners included

order no. 410-115

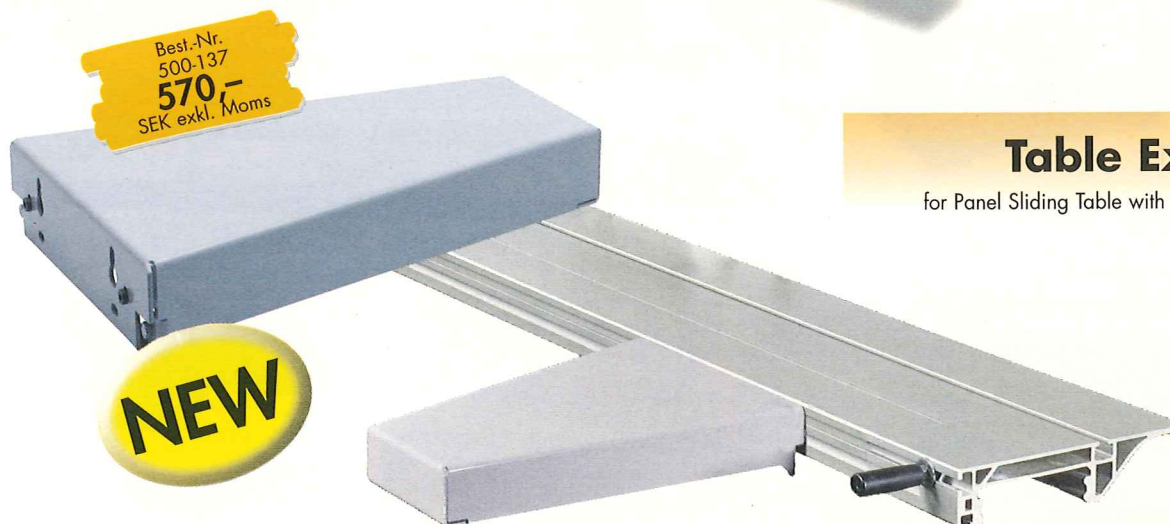


Table Extension

for Panel Sliding Table with ball guiding system.

order no. 500-137