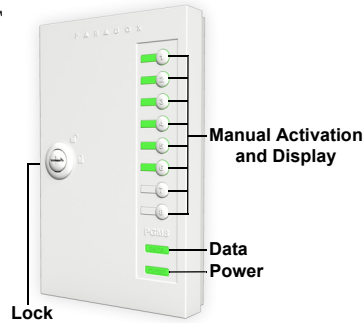




# PGM82

## 8-PGM Expansion Module Installation Manual



### Introduction

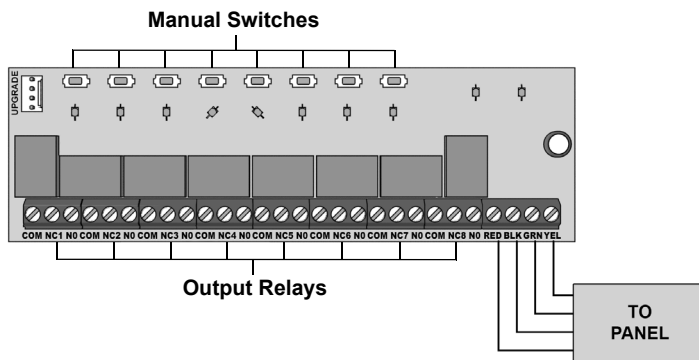
The 8-PGM Expansion Module PGM82 includes eight programmable relay outputs and is compatible with all Paradox control panels. Outputs can be independently activated using the Insite GOLD mobile application, manually by pressing the PGM button on the front cover or they can be programmed to follow system events. Manual activation does not require a bus connection.

### Compatibility

- EVO192, EVOHD v6.80 and higher
- MG5000, MG5050, SP5500, SP6000, SP7000 v6.80 and higher
- PGM4 v5.01 and higher
- BabyWare v5.1 and higher
- Infield v5.1 and higher
- Insite GOLD iOs v1.5; Android v1.4

### Connections

Connect the four terminals labeled **RED BLK GRN YEL** of the module to the corresponding terminals on the control panel's four-wire combus as shown below.



Manual activation is timed and will shutdown after 15 minutes (default).



### Upgrading Firmware

The PGM82's firmware can be upgraded in Infield via BabyWare using a 307USB Direct Connect Interface.

### LED Indicators

LED	OFF	ON
PGM1 to PGM8	Deactivated	Activated
DATA	No clock / no data	Panel connected
POWER	No Power	10.5 to 16V Flash - Below 10.3V

\* If control panel has an AC Loss, all LEDs are turned off.

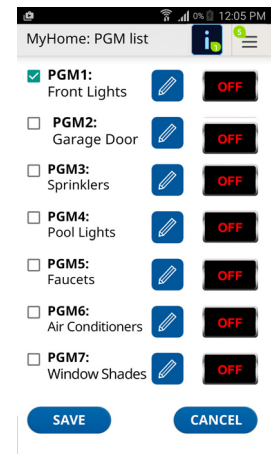


### Insite Gold

#### Adding PGMs to Camera and Security Screens

1. Press **PGM** from the Security or Video screen.
2. Select the PGM you wish to add.
3. Press Save.

The selected PGMs will appear on Security and Video screens.

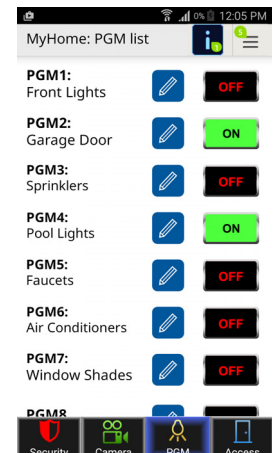


#### To Enable/Disable PGMs

1. Open Insite GOLD app.
2. Select the PGM tab on the bottom.
3. Press the toggle button to enable/disable the PGM.
4. When activating a PGM a countdown clock will be shown.

In the EDIT PEN icon, you can label each PGM and change the OFF time; default is set to 15 minutes.

Labels will be saved in the EVO panels. On MG/SP, it is saved only on the mobile device (need to be labeled on each mobile device).



## Programming EVO

1. Enter section [0901] - [0932].
2. Enter the eight-digit serial number and three-digit output number.
3. Enter the 3-digit Event Group, Feature Group, Start # and End # for PGM activation.
4. Enter the 3-digit Event Group, Feature Group, Start #, and End# for PGM deactivation.
5. Define the PGM Delay Value (001 to 255 x 1 sec./min.). Default set to 5 sec./min.
6. Set your PGM options, refer to table.

OPTION	DESCRIPTION	PGM #	
		OFF	ON
1	PGM deactivation after (OFF = deactivation event; ON = PGM timer)	<input type="checkbox"/>	<input checked="" type="checkbox"/>
2	PGM base time (OFF = seconds; ON = minutes)	<input type="checkbox"/>	<input checked="" type="checkbox"/>
3	Flexible PGM deactivation option (OFF = PGM timer only; ON = PGM timer and/or deactivation event)	<input checked="" type="checkbox"/>	<input type="checkbox"/>
4	PGM initial state (OFF = normally open; ON = normally closed)	<input checked="" type="checkbox"/>	<input type="checkbox"/>
5	PGM Time base (Off = follow option 2, 1 = hour)	<input checked="" type="checkbox"/>	<input type="checkbox"/>
6 to 8	Future use	-	-

## Programming MGSP

1. Enter section [236] - [251].
2. Enter the 3-digit Event Group, Sub Group, and Partition for PGM activation.  
Section default values are set to 00/00/00 with the exception of Section [244] - activation default values are set to 08/99/01; Section [246] - activation default values are set to 09/99/01.
3. Enter the 3-digit Event Group, Sub Group, and Partition for PGM deactivation.  
Section default values are set to 00/00/00 with the exception of Section [245] - deactivation default values are set to 08/99/01; Section [247] - deactivation default values are set to 09/99/01.
4. Enter section [269] - [276] to define the PGM Delay Value (001 to 255 x 1 sec./min.).
5. Enter section [349] - [356] to define your PGM Labels.
6. Set your PGM options, refer to table below.

OPTION	DESCRIPTION	PGM #	
		OFF	ON
1	PGM base time (OFF = sec., ON = min.)	<input type="checkbox"/>	<input checked="" type="checkbox"/>
2	PGM state (OFF = N.O., ON = N.C.)	<input checked="" type="checkbox"/>	<input type="checkbox"/>
3	PGM supervision (not applicable to SP4000)	<input type="checkbox"/>	<input checked="" type="checkbox"/>
4	PGM activation mode (OFF = steady, ON = pulse)	<input checked="" type="checkbox"/>	<input type="checkbox"/>
5	PGM pulse once every 30 seconds, if armed	<input checked="" type="checkbox"/>	<input type="checkbox"/>
6	PGM pulse on any alarm	<input checked="" type="checkbox"/>	<input type="checkbox"/>
7	PGM pulse on any alarm (OFF - partition 1, ON = partition 2)	<input checked="" type="checkbox"/>	<input type="checkbox"/>
8	Flexible PGM deactivation option (OFF* = PGM delay only, two activation events, ON = PGM delay or deactivation event, whichever comes first)	<input checked="" type="checkbox"/>	<input type="checkbox"/>

\* If a PGM delay is programmed (OFF option), the deactivation event can be used as a second activation event.

## Technical Specifications

<b>Input Voltage</b>	11 to 16 Vdc
<b>Current Consumption</b>	315 mA max (all PGMs activated)
<b>Number of outputs</b>	8 Form 'C' relays
<b>Output</b>	24V, 4A any load
<b>Operating Temperature</b>	-20 C to +50 C (-4 F to 122 F)
<b>Humidity</b>	95% maximum
<b>Box Dimensions (H x W x D)</b>	16.5 cm x 10.2 cm x 2.5 cm (6.5 in x 4 in x 1 in)

### Warranty

For complete warranty information on this product, please refer to the Limited Warranty Statement is found on the website: [www.paradox.com/terms](http://www.paradox.com/terms) or contact your local distributor. Specifications may change without prior notice.

### Patents

US, Canadian and international patents may apply. Paradox is a trademark or registered trademark of Paradox Security Systems (Bahamas) Ltd.