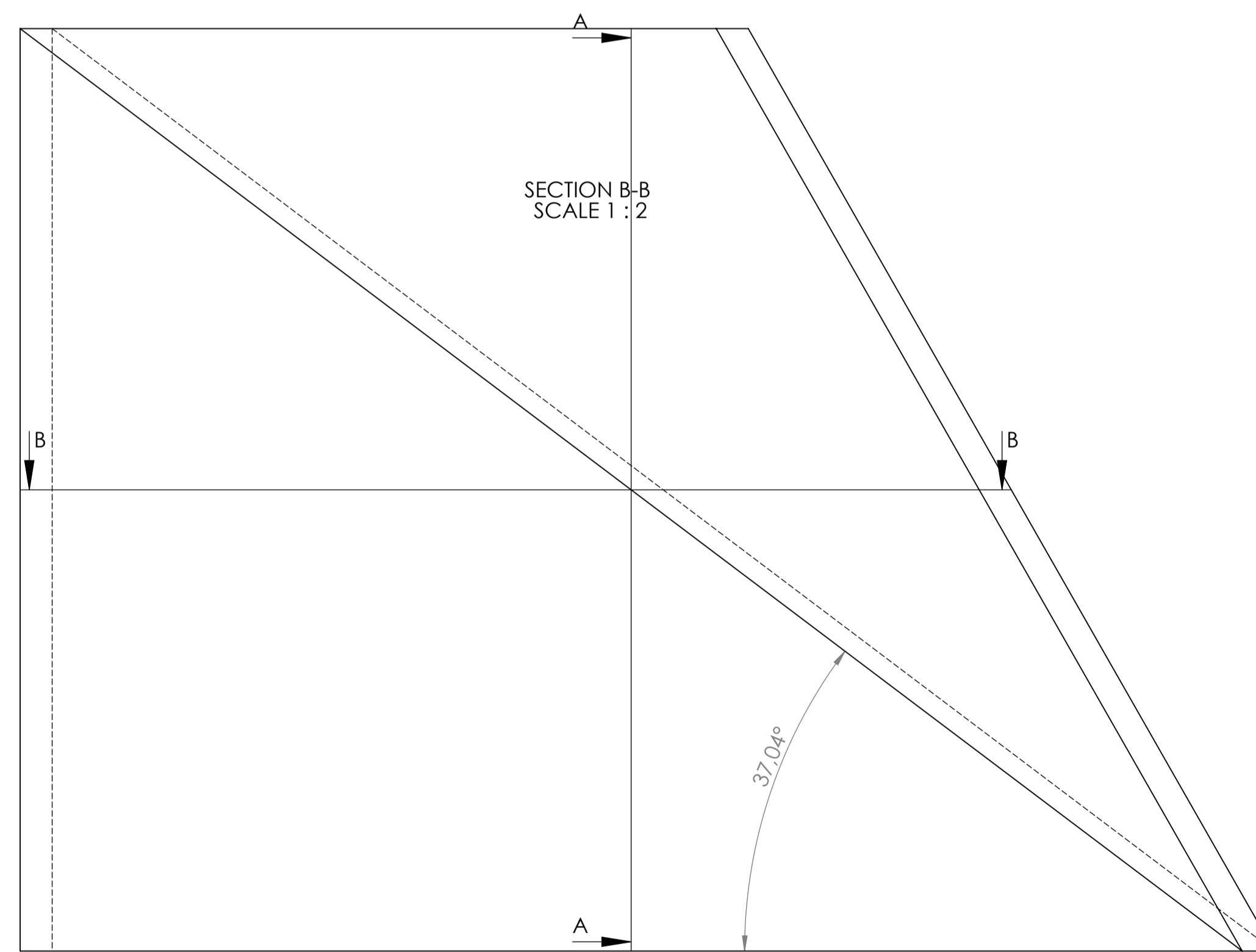


SECTION A-A
SCALE 1 : 2



SECTION B-B
SCALE 1 : 2

UNLESS OTHERWISE SPECIFIED: DIMENSIONS ARE IN MILLIMETERS SURFACE FINISH: TOLERANCES: LINEAR: ANGULAR:			FINISH:	DEBUR AND BREAK SHARP EDGES	DO NOT SCALE DRAWING	REVISION
DRAWN	NAME	SIGNATURE	DATE			TITLE:
CHK'D						
APP'VD						
MFG						
Q.A				MATERIAL:	DWG NO.	Part5
				WEIGHT:	SCALE:1:5	A1
						SHEET 1 OF 1