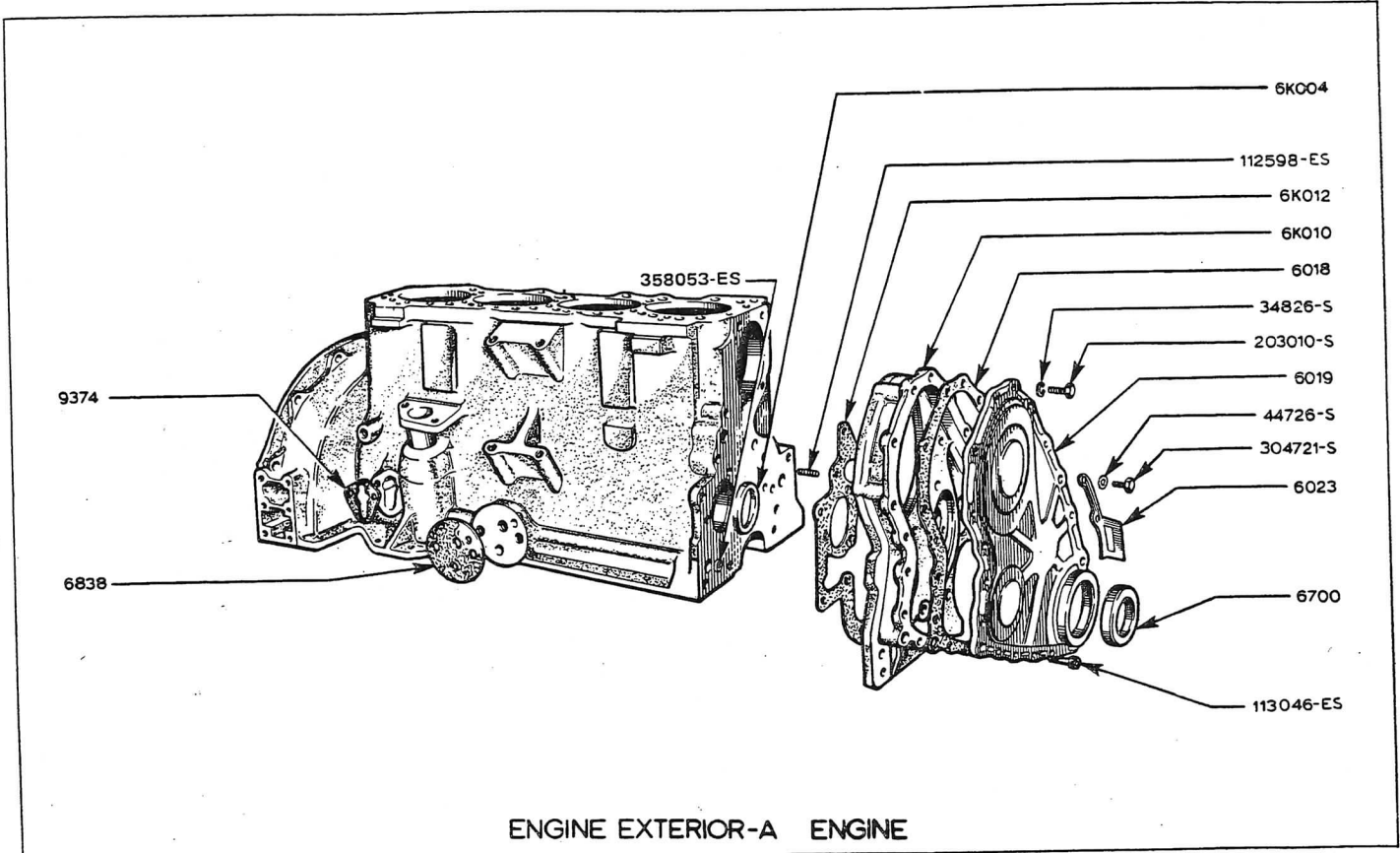
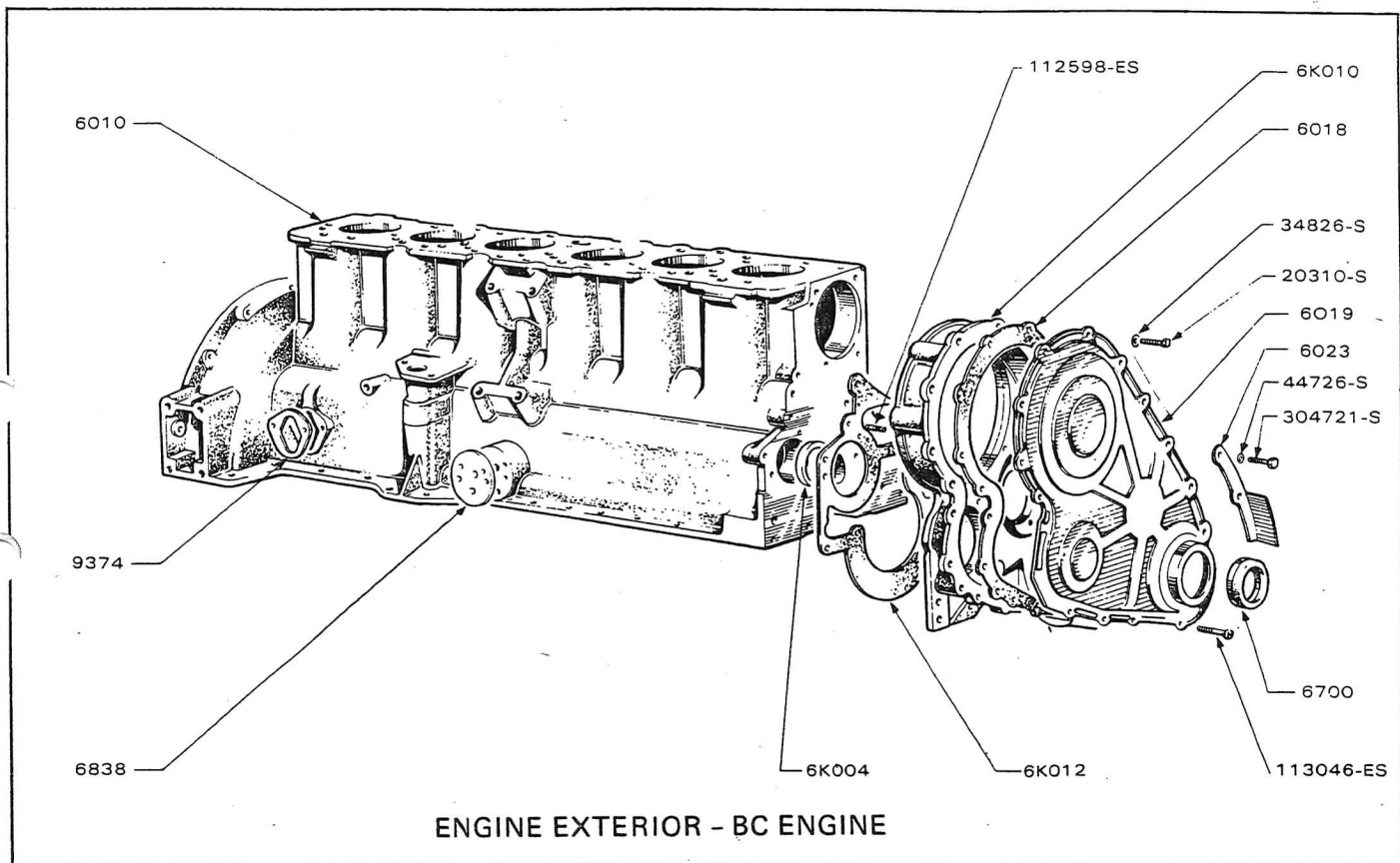


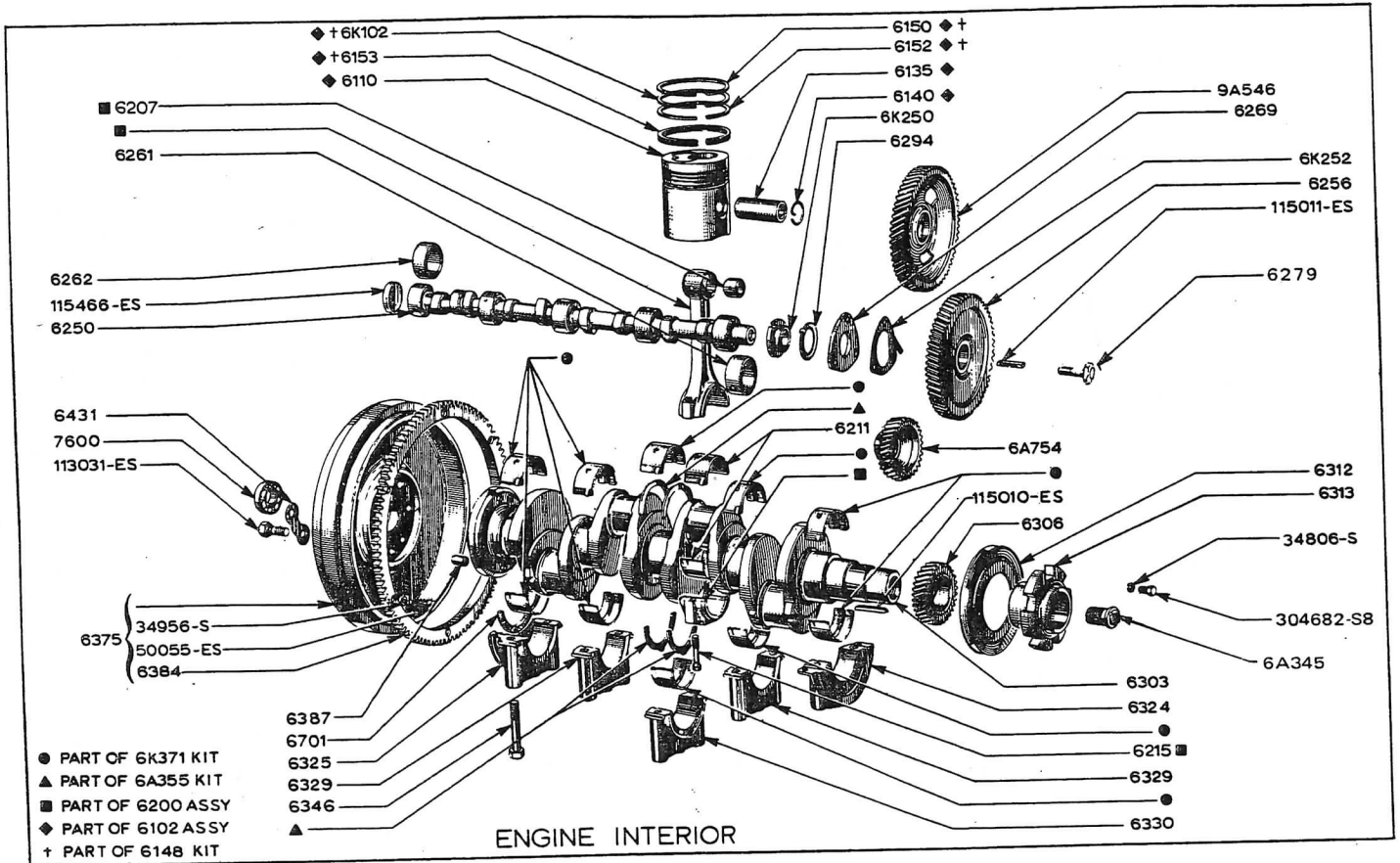
RESERVEDELSLISTA

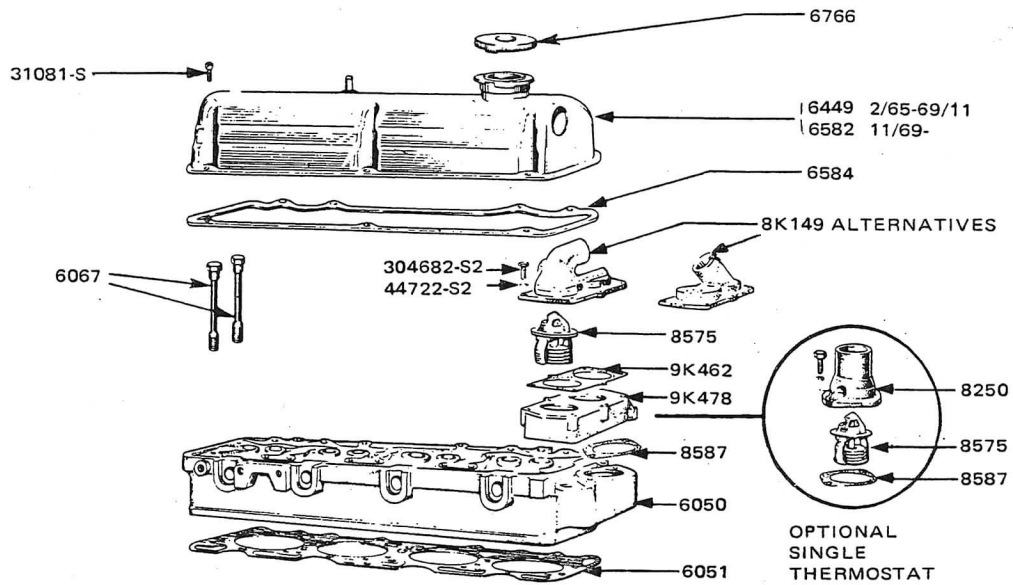
Följande sidor skall tjäna som vägledning vid identifiering av erforderliga reservdelar. Mera detaljerade uppgifter kan erhållas från Er Fordåterförsäljare.

Motorns kodbokstav			Modell	Kubikvolym
A	2711/12E ...	4,150 liter (254 cu in)
B	2713E ...	5,950 liter (363 cu in)
C	2714/15E ...	6,220 liter (380 cu in)

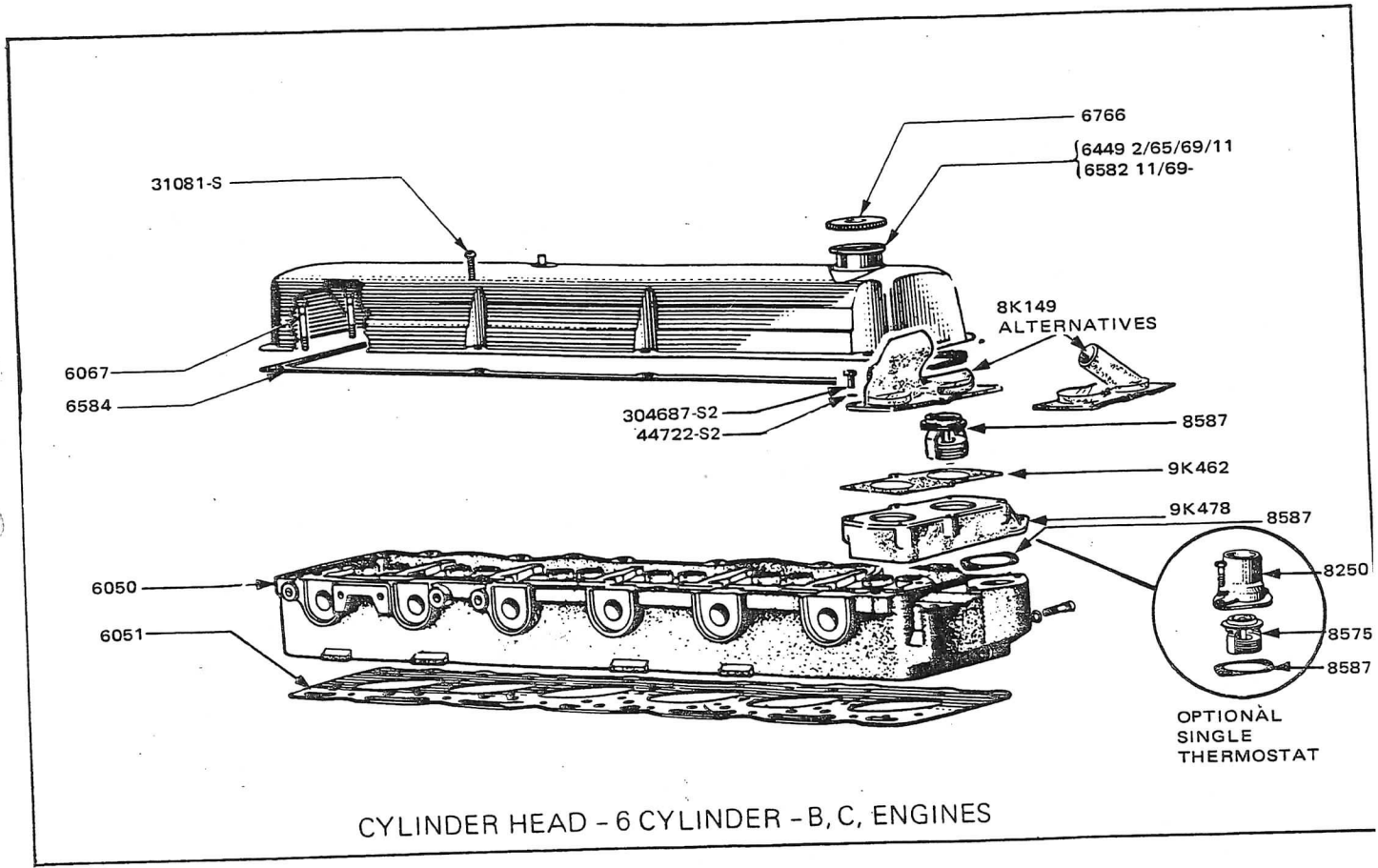


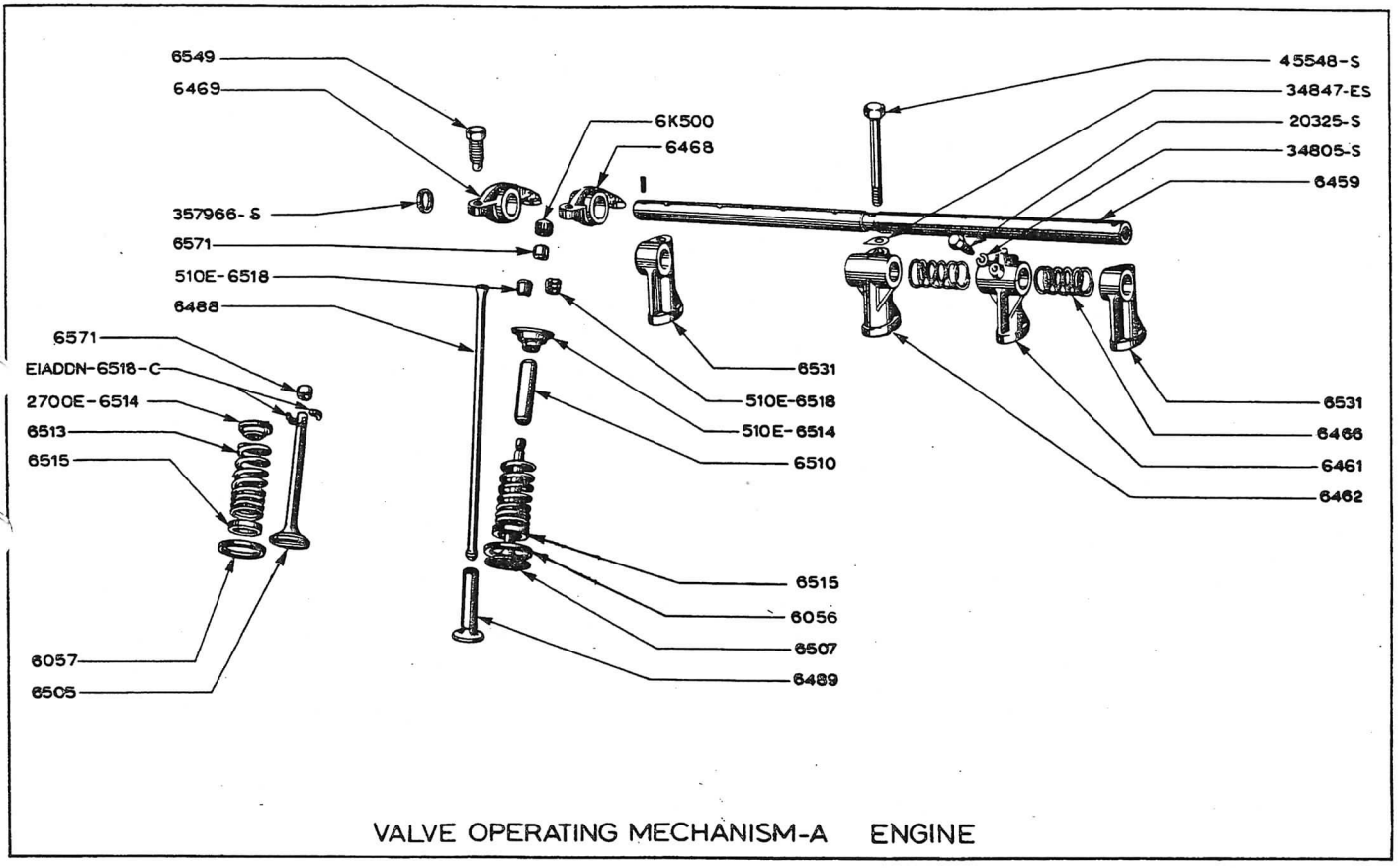


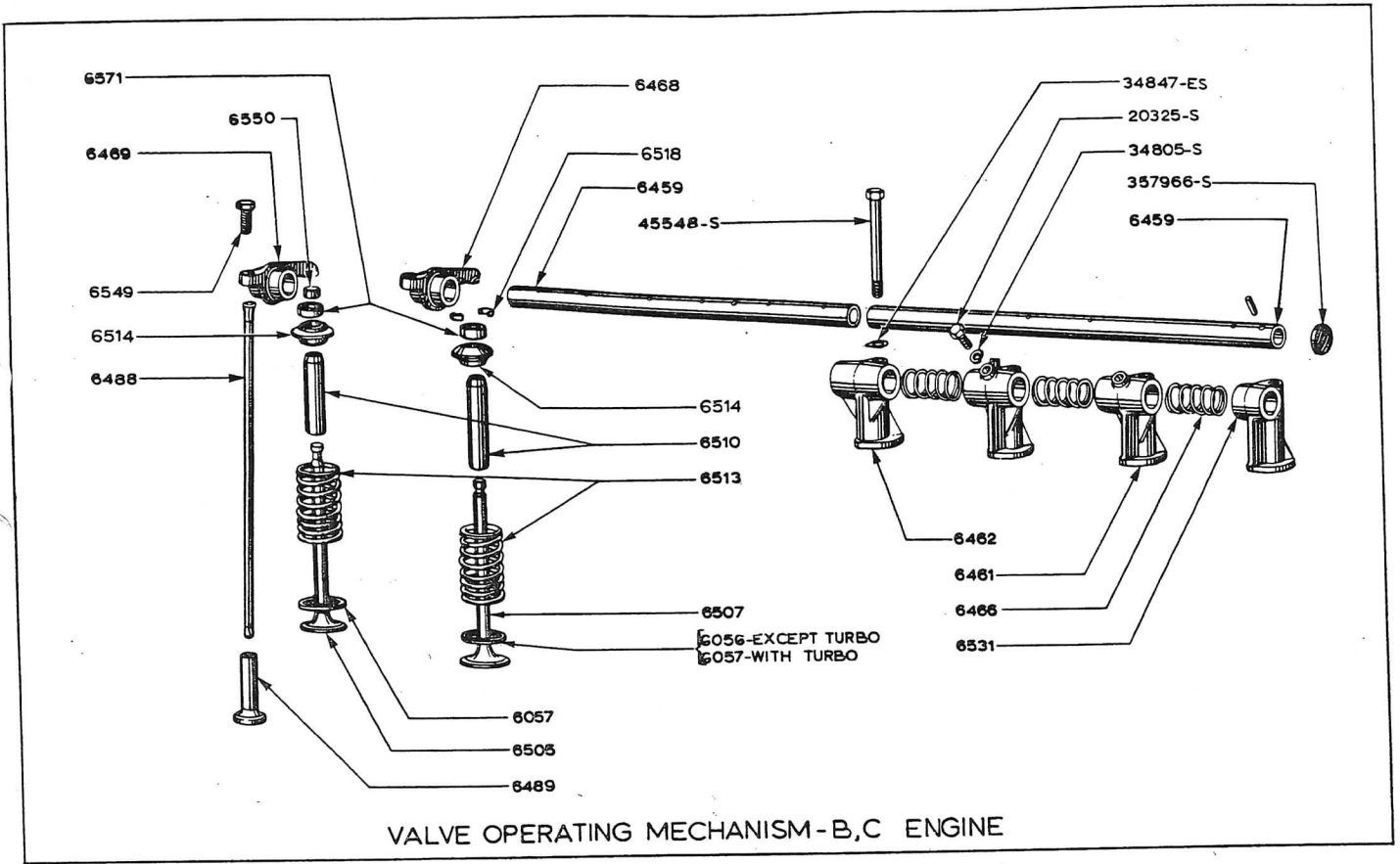


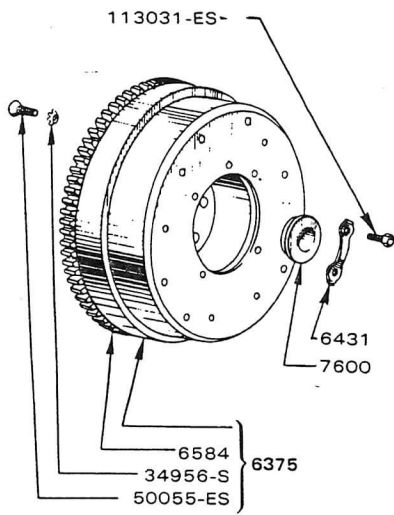


CYLINDER HEAD-A ENGINE

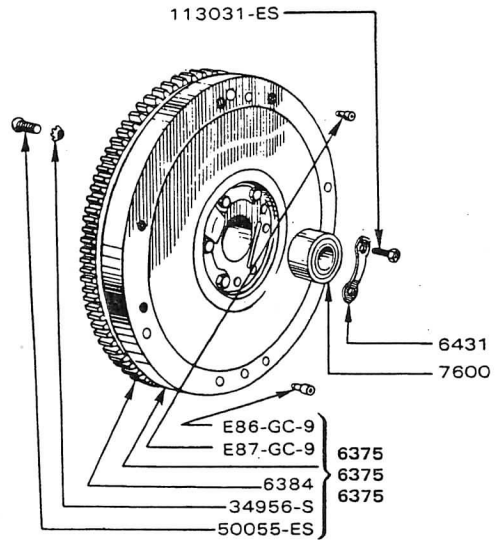








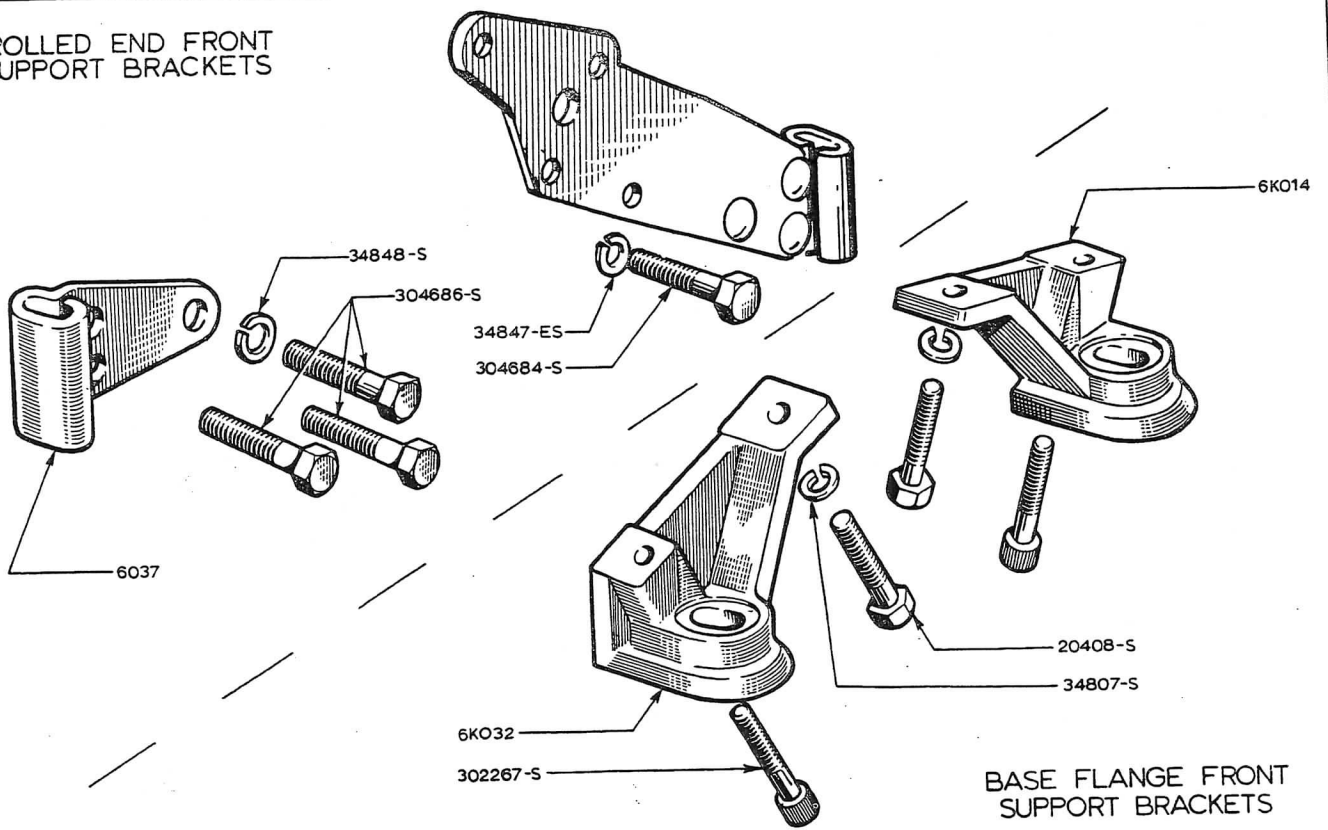
90.71 Kilos (200 lb)



39.46 Kilos (87 lb)

FLYWHEEL AND PILOT, BEARING

ROLLED END FRONT
SUPPORT BRACKETS



VERTICAL FLANGE FRONT
SUPPORT BRACKETS

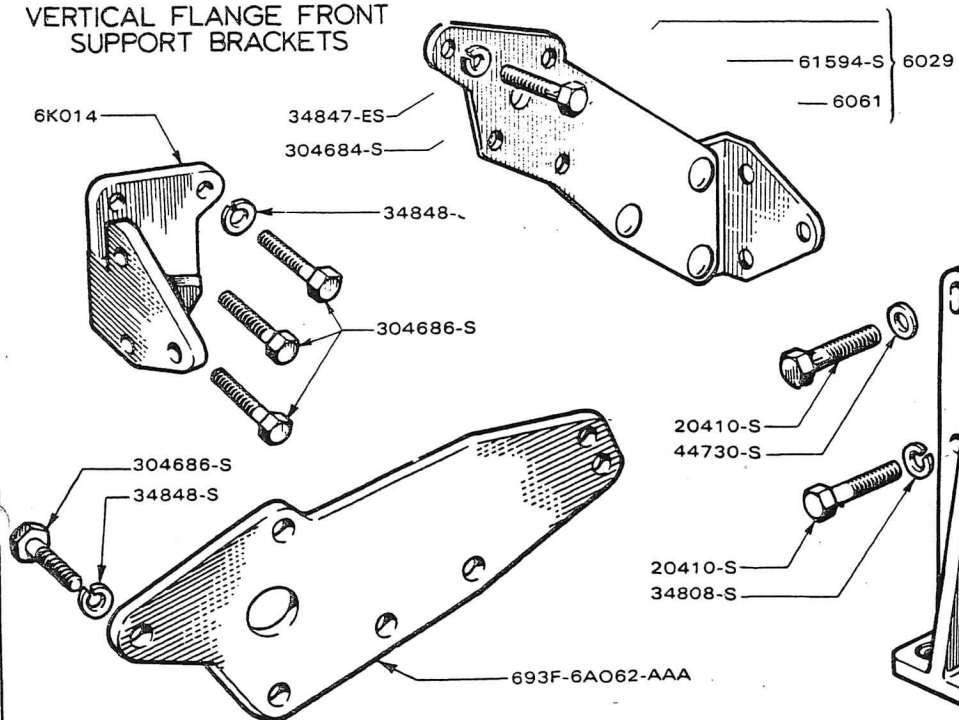
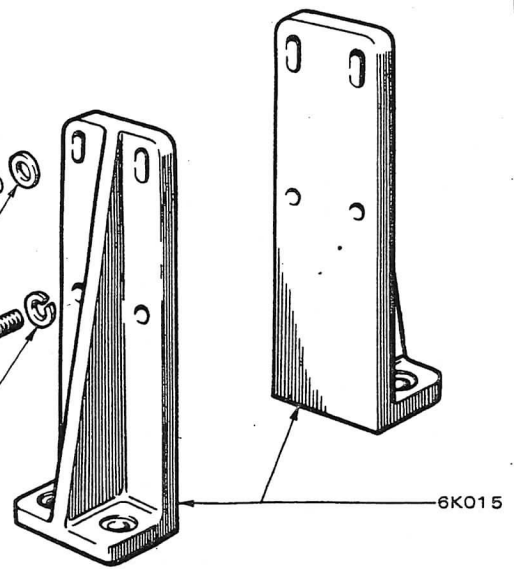
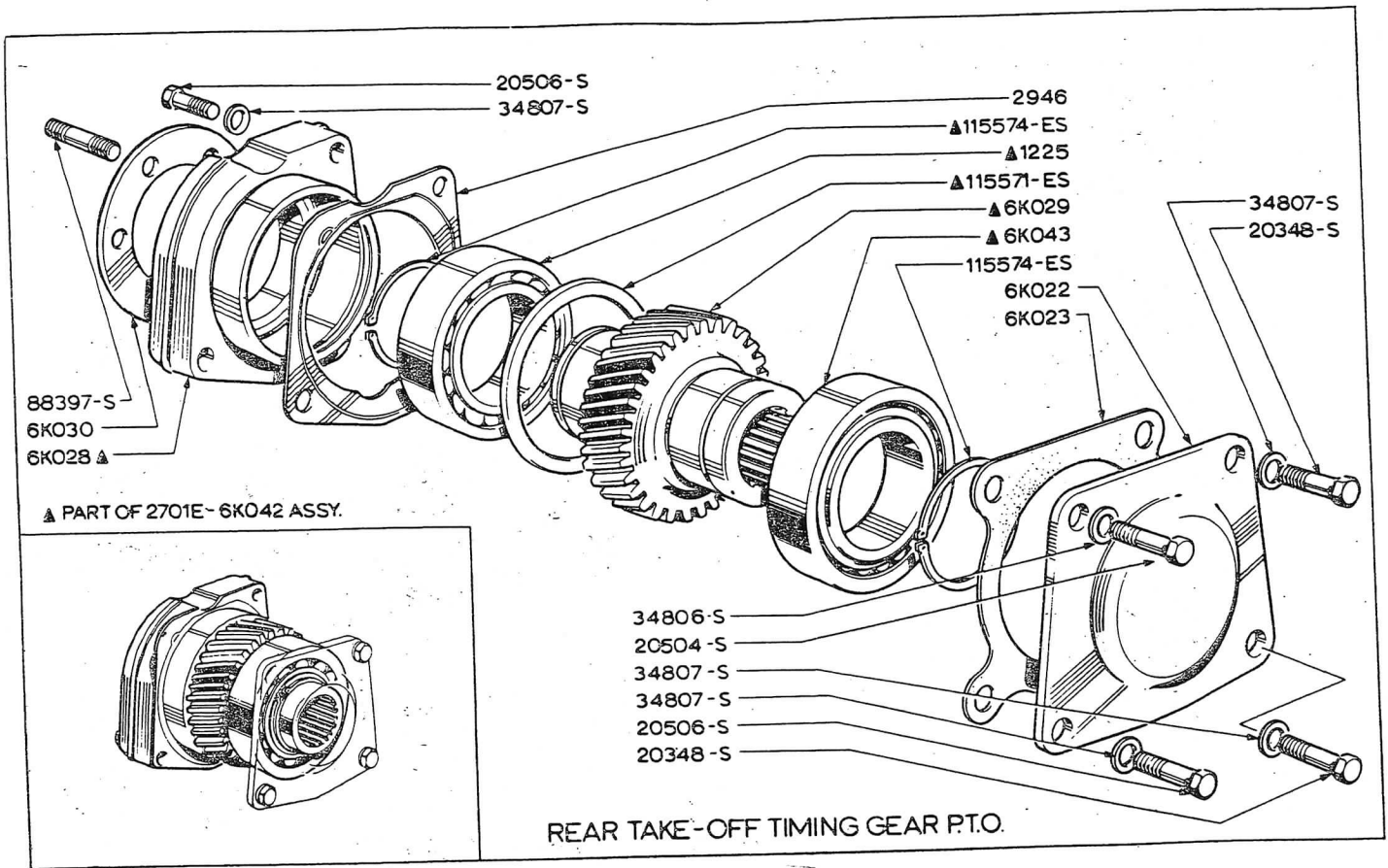
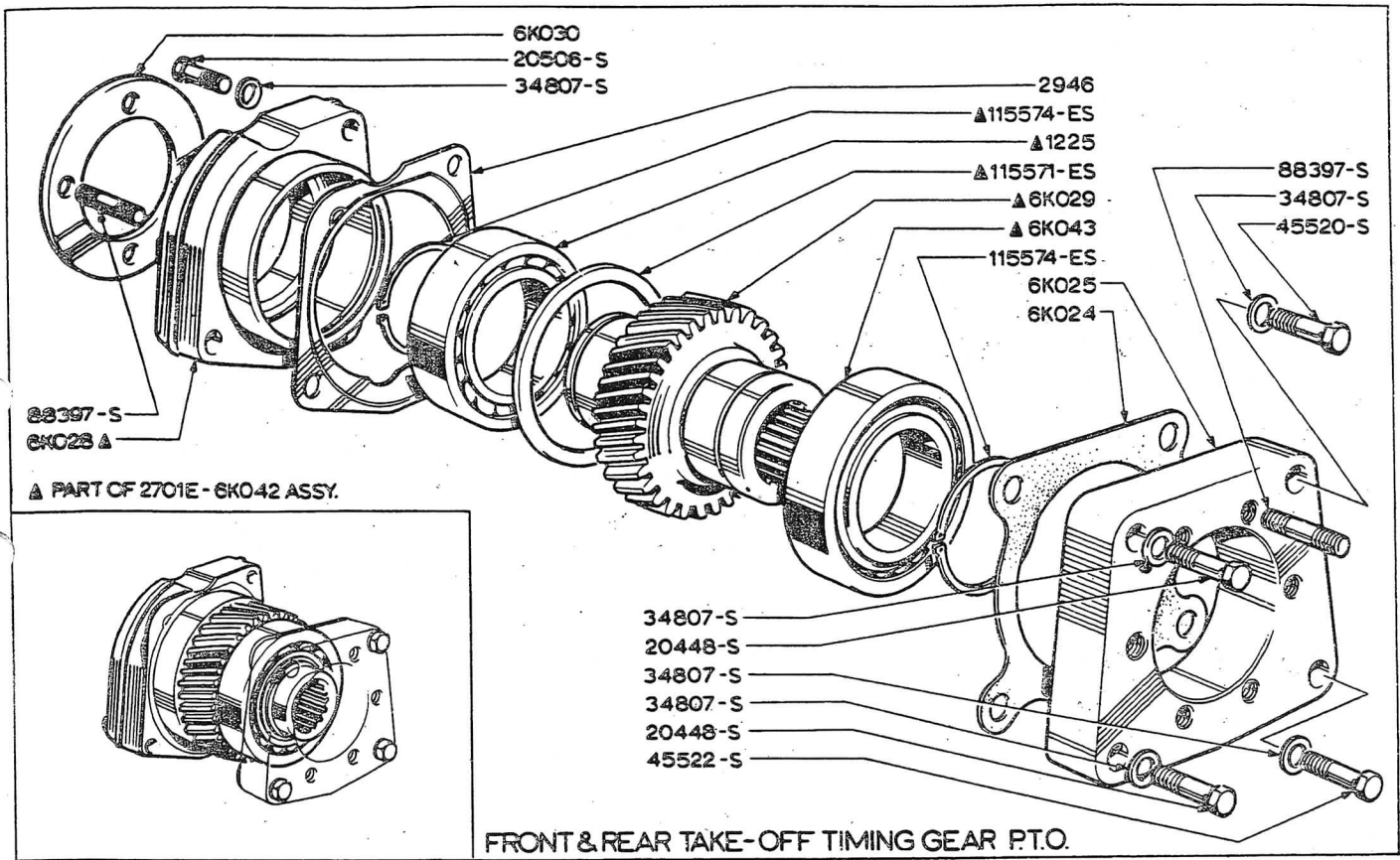


PLATE-ENGINE FRONT
SUPPORT BRACKET

ENGINE REAR SUPPORT BRACKETS -WITH BASE FLANGE
FRONT SUPPORT BRACKETS

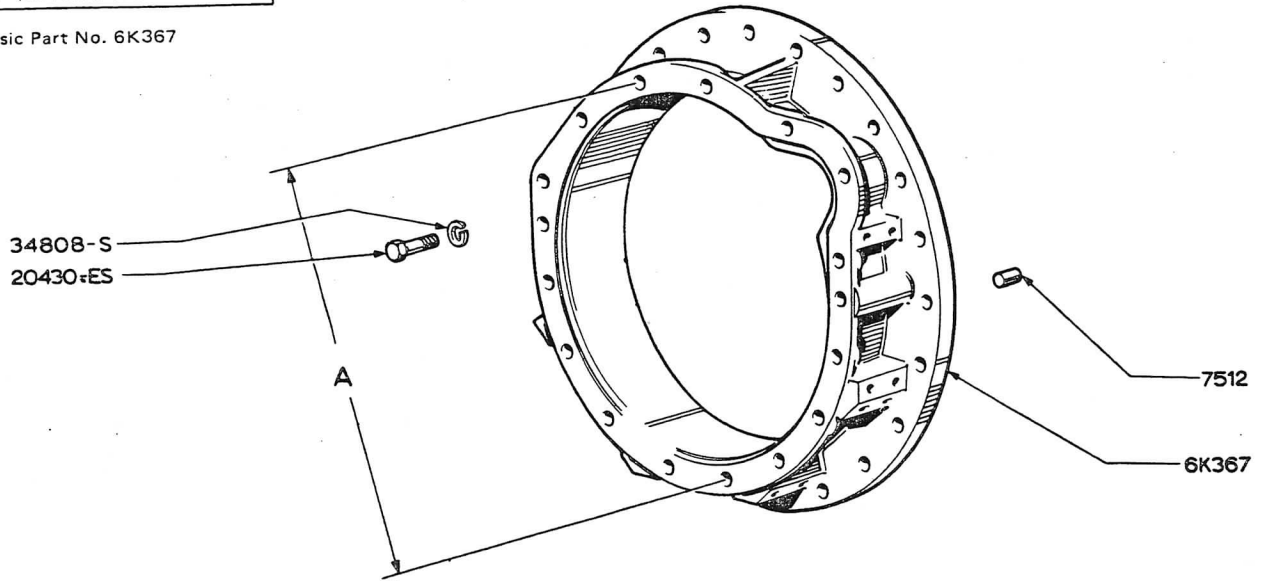






DIMENSION 'A'
18-375" (466-625 mm) P.C.D.
16-875" (428-625 mm) P.C.D.
15" (381 mm) P.C.D.

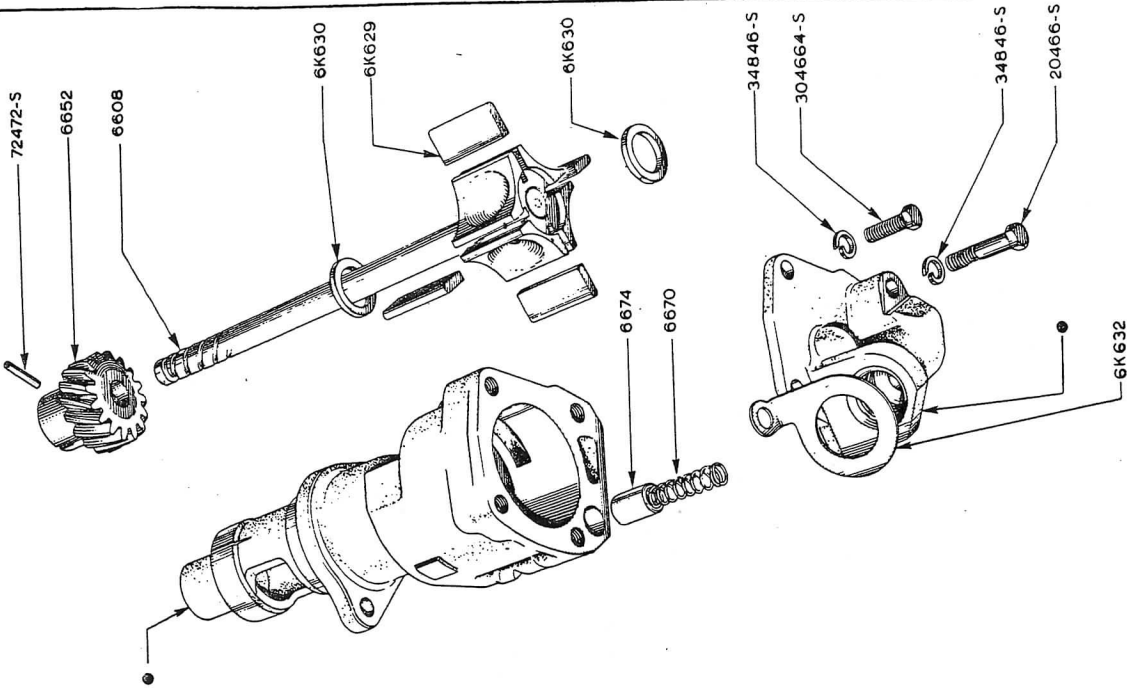
Basic Part No. 6K367



FLYWHEEL HOUSING ADAPTOR

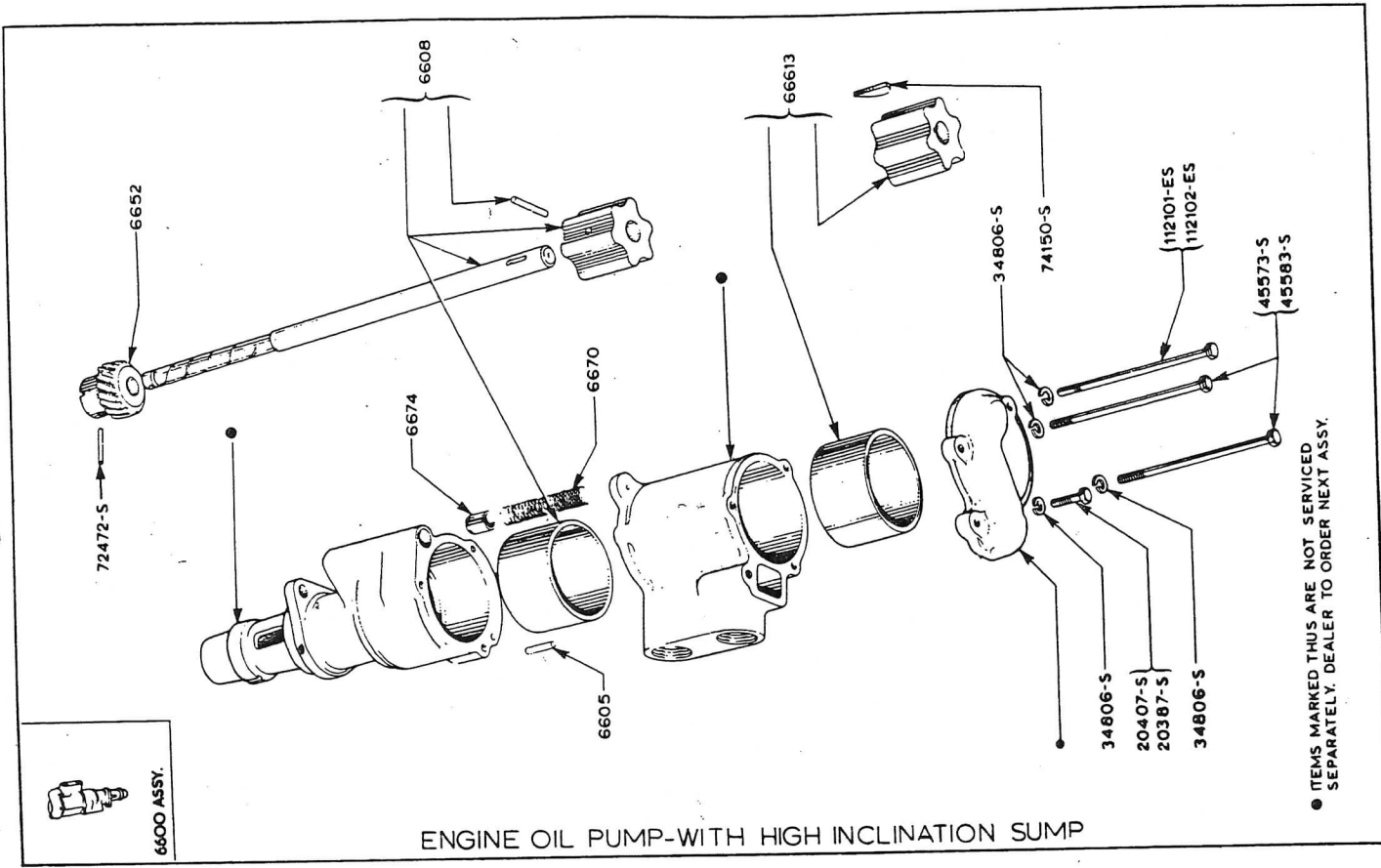


6600 ASSY.

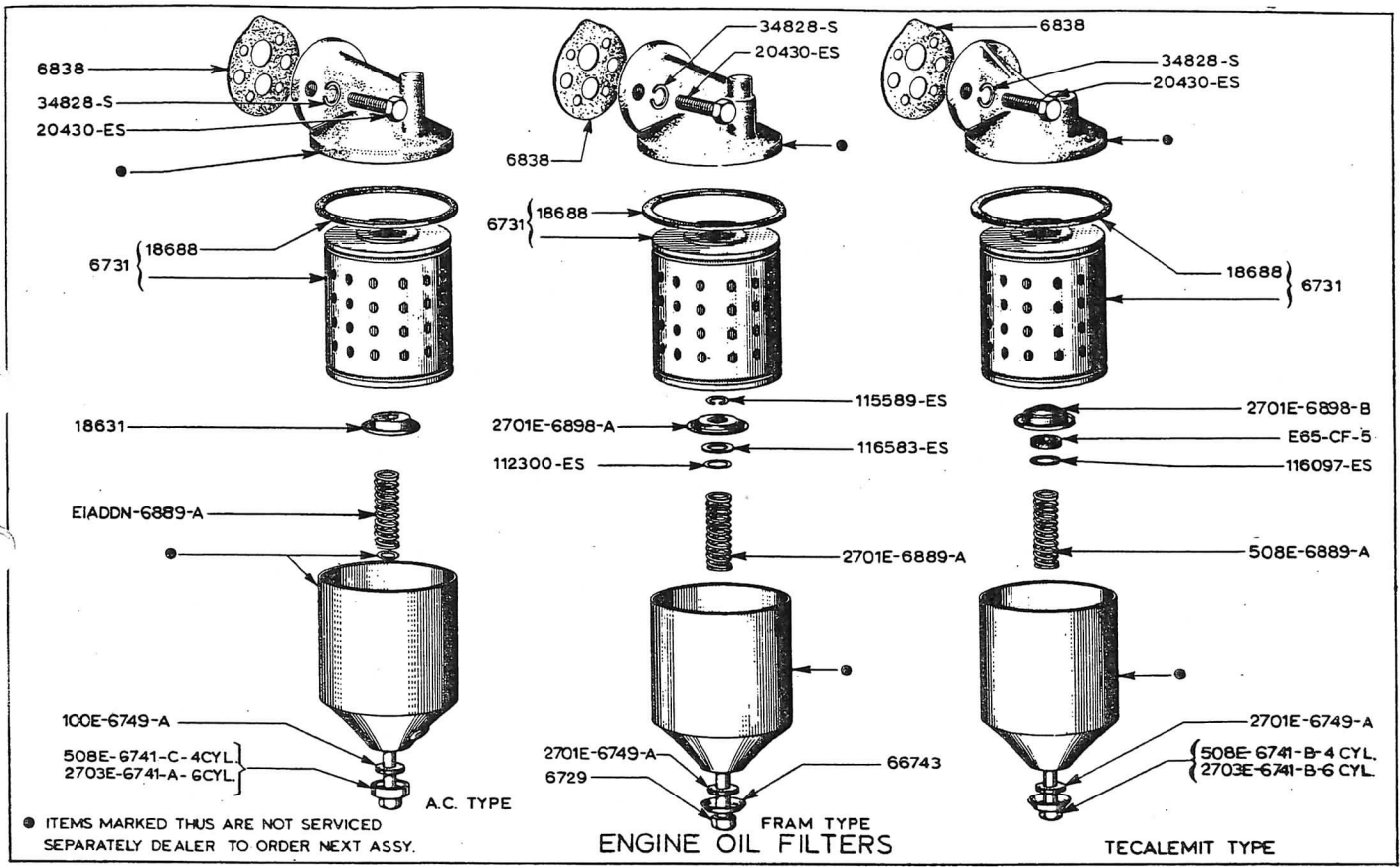


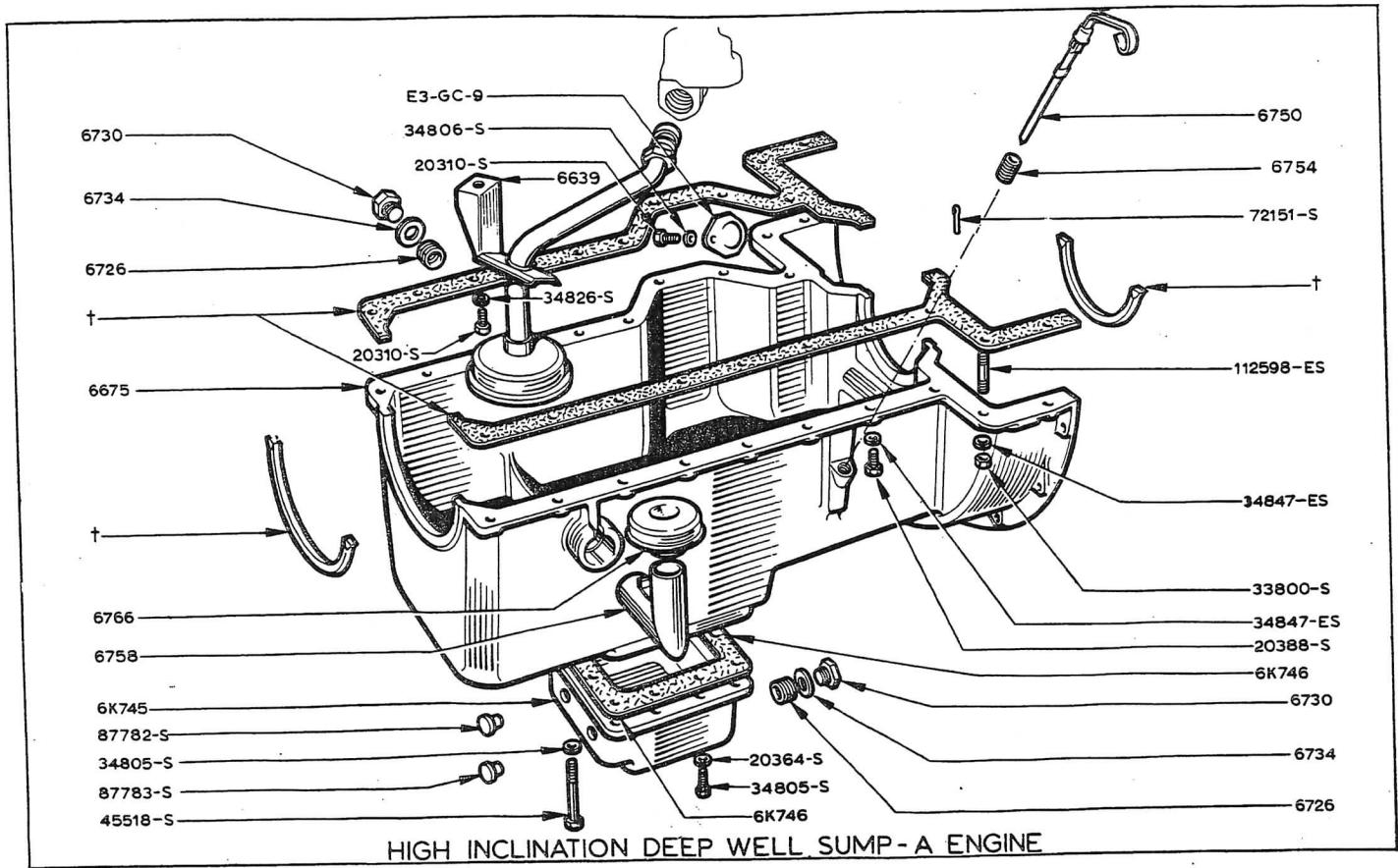
● ITEMS MARKED THUS ARE NOT SERVICED SEPARATELY. DEALER TO ORDER NEXT ASSY.

ENGINE OIL PUMP-EXCEPT HIGH INCLINATION SUMP

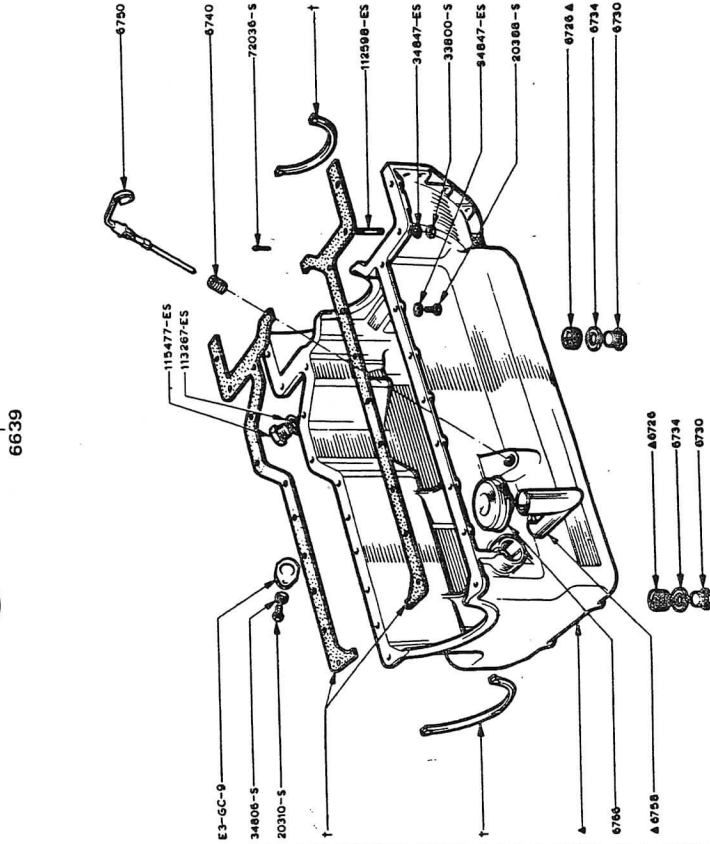
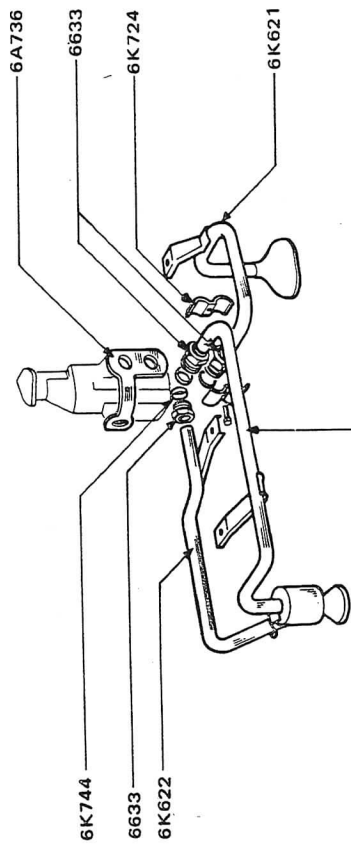


● ITEMS MARKED THUS ARE NOT SERVICED SEPARATELY. DEALER TO ORDER NEXT ASSY.

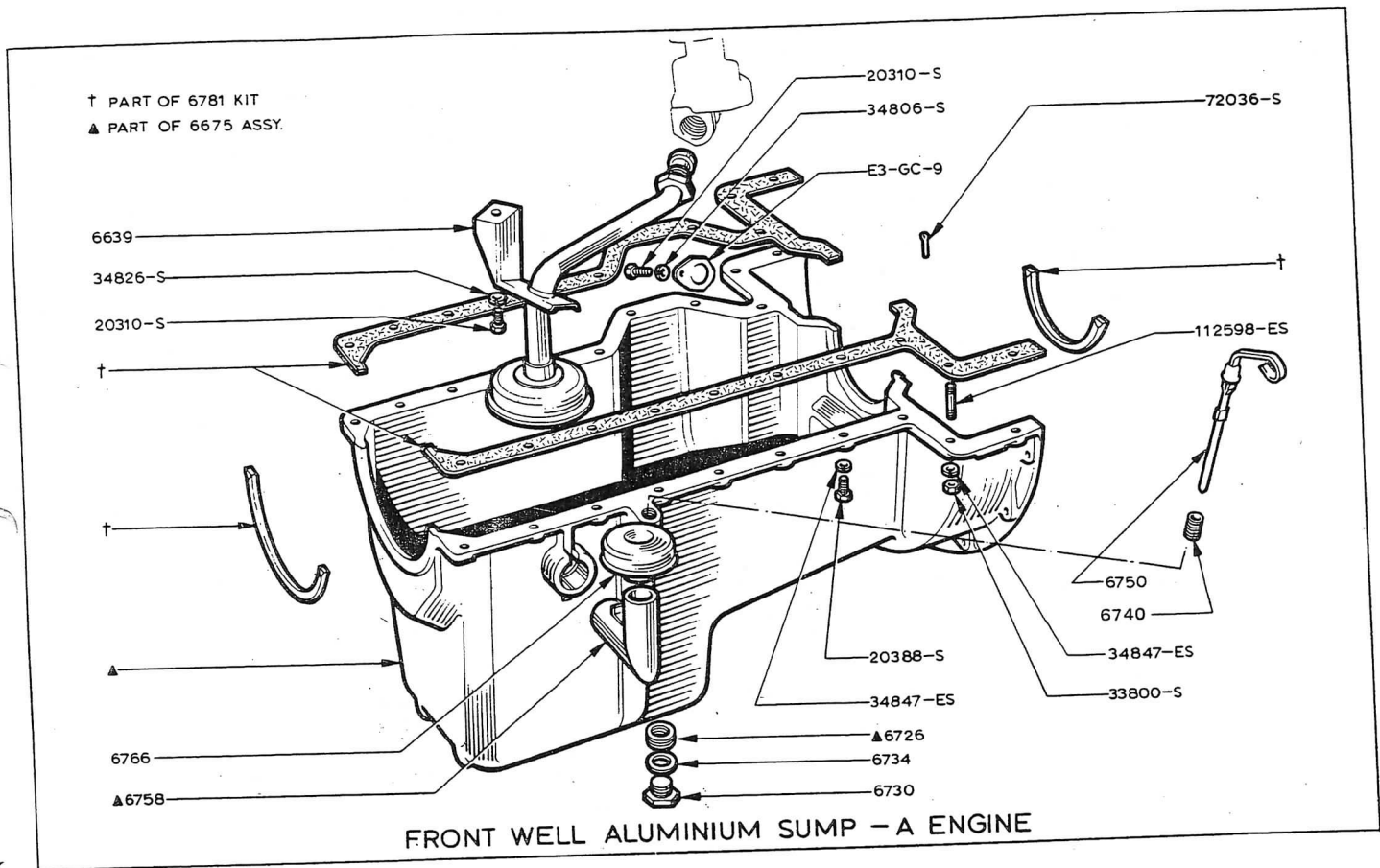


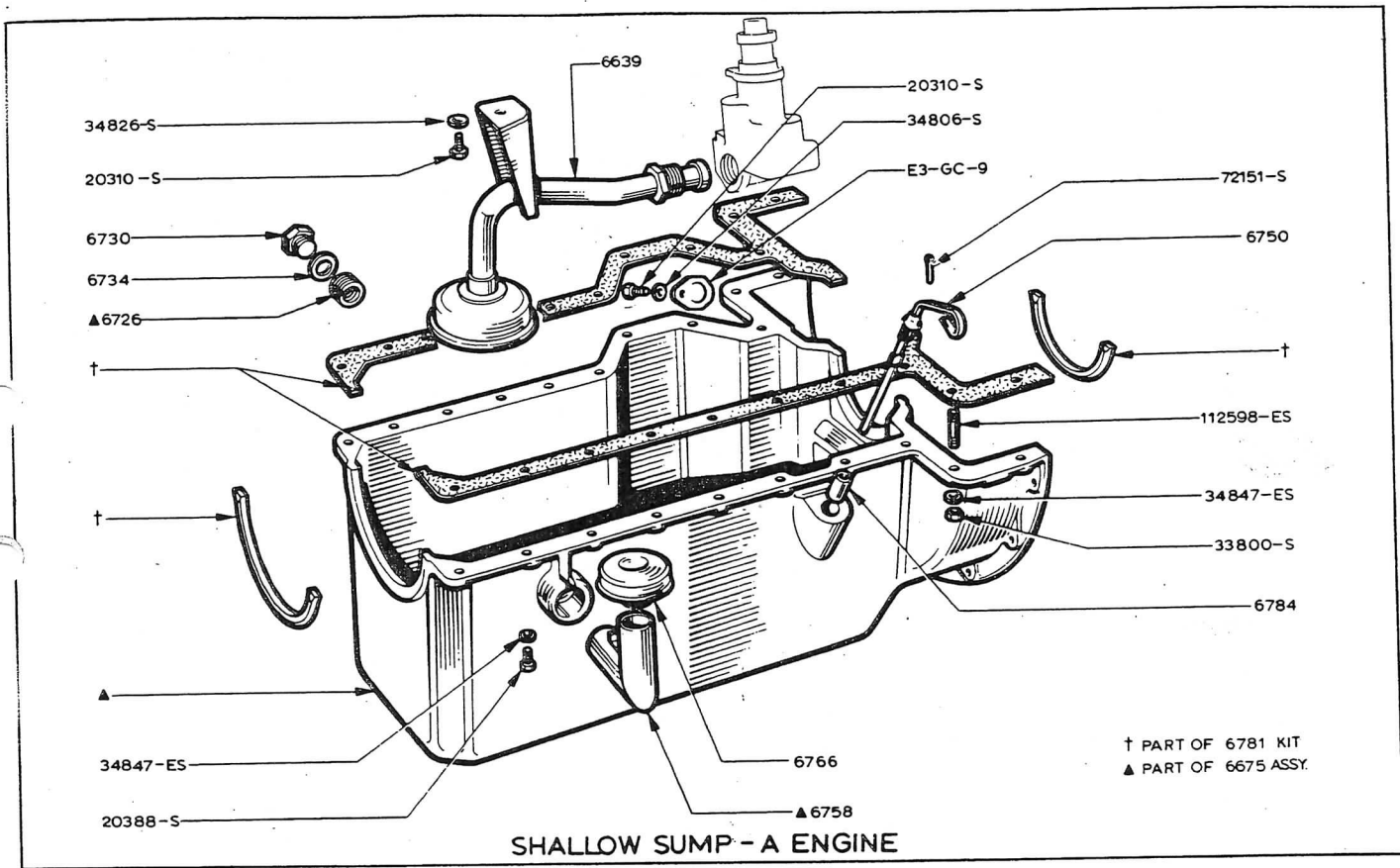


† PART OF 6781 KIT
‡ PART OF 6675 ASSEY

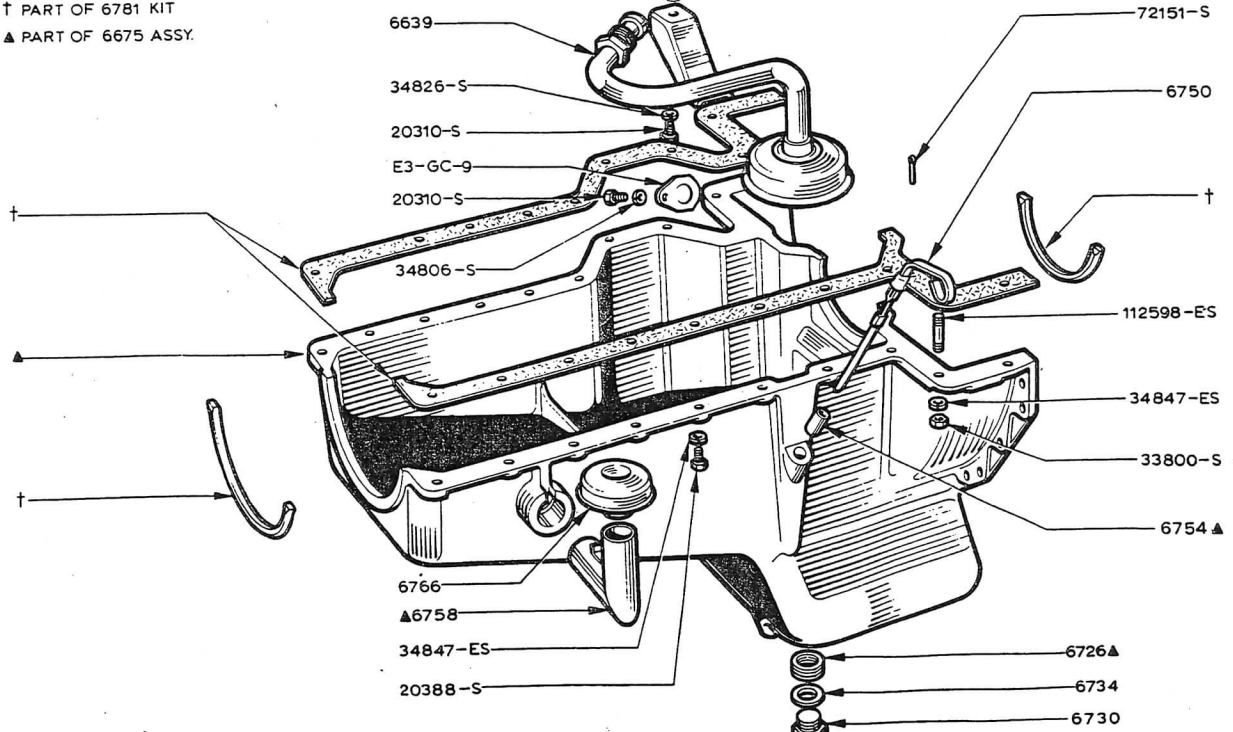


HIGH INCLINATION FLAT BASE SUMP - A ENGINE

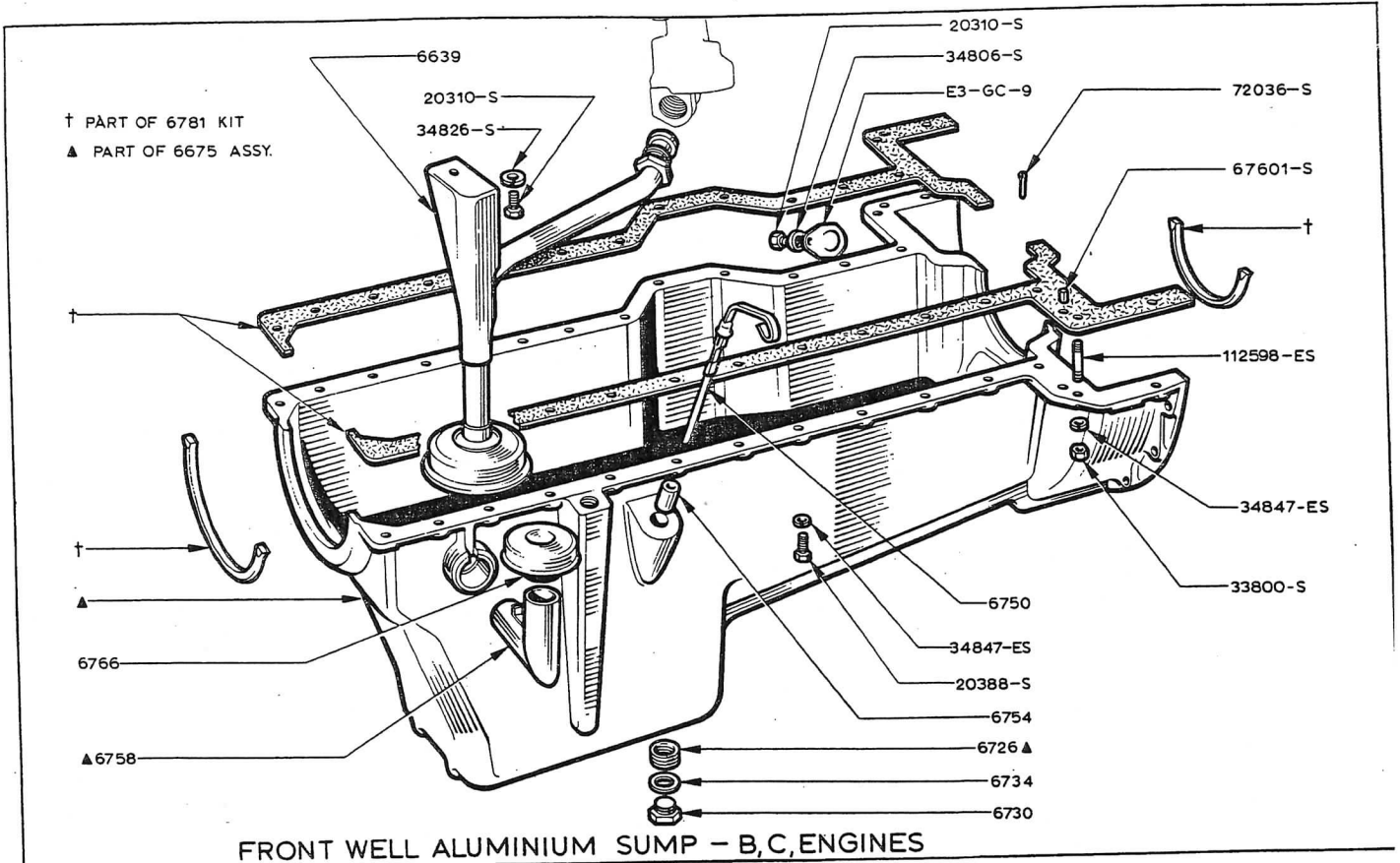


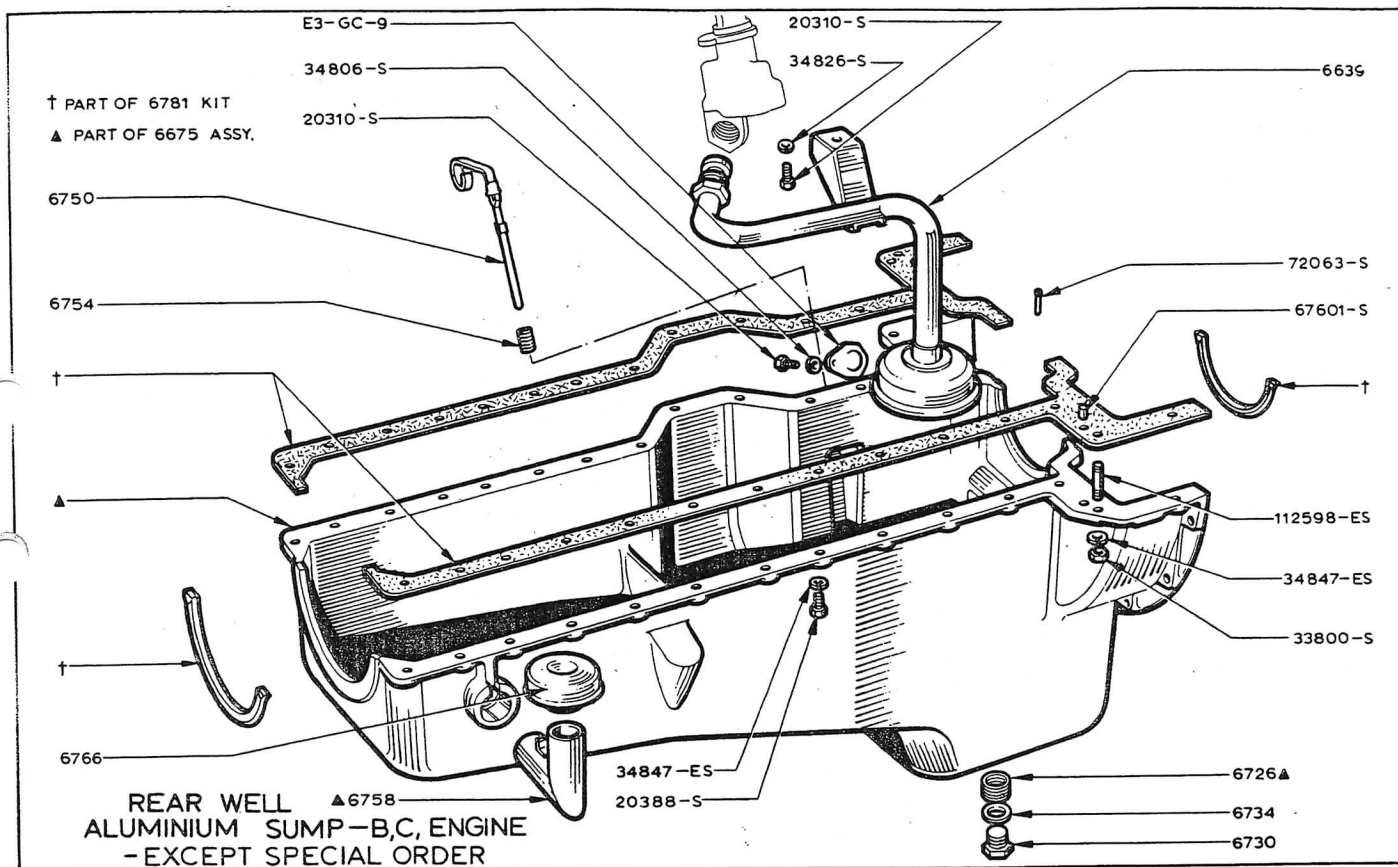


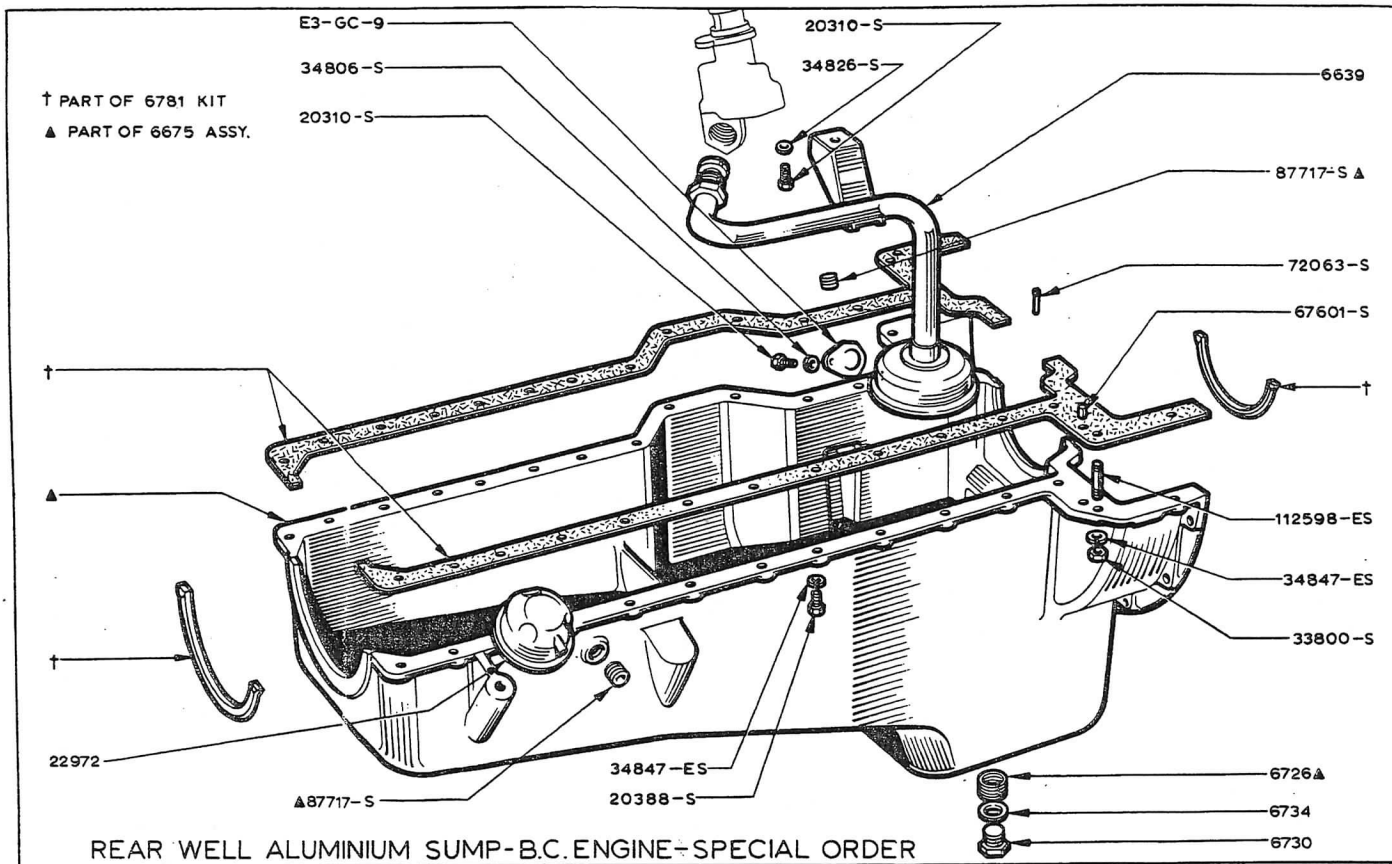
† PART OF 6781 KIT
 ▲ PART OF 6675 ASSY.



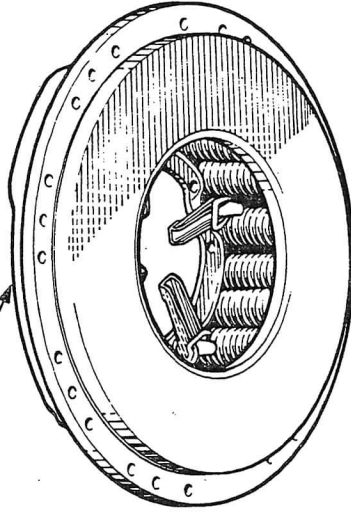
REAR WELL ALUMINIUM SUMP - A ENGINE



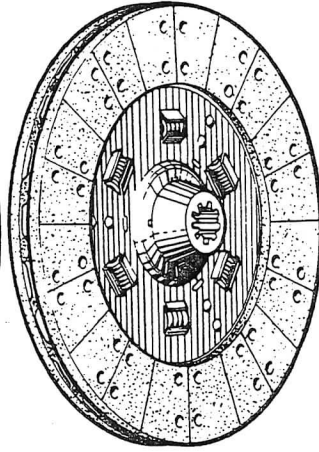




7563



7550



CLUTCH DISC AND COVER ASSEMBLY

▲8507

8501

34806-S

20426-S

▲ PART OF 8591 KIT

8509

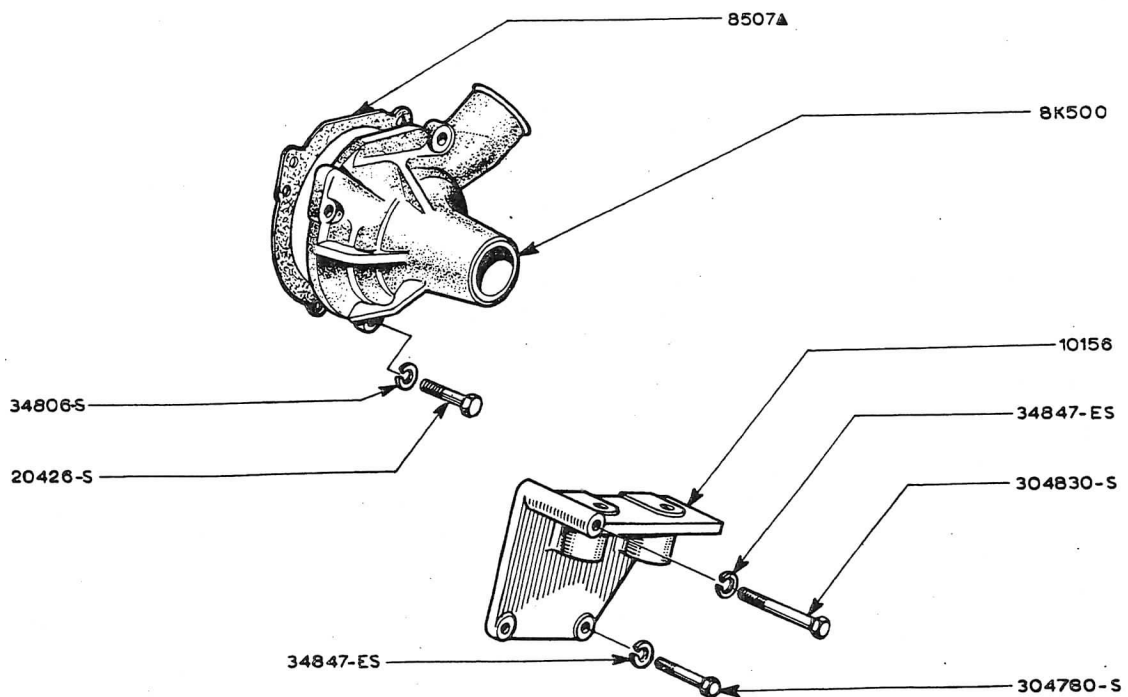
10156

34847-ES

304760-S

304830-S

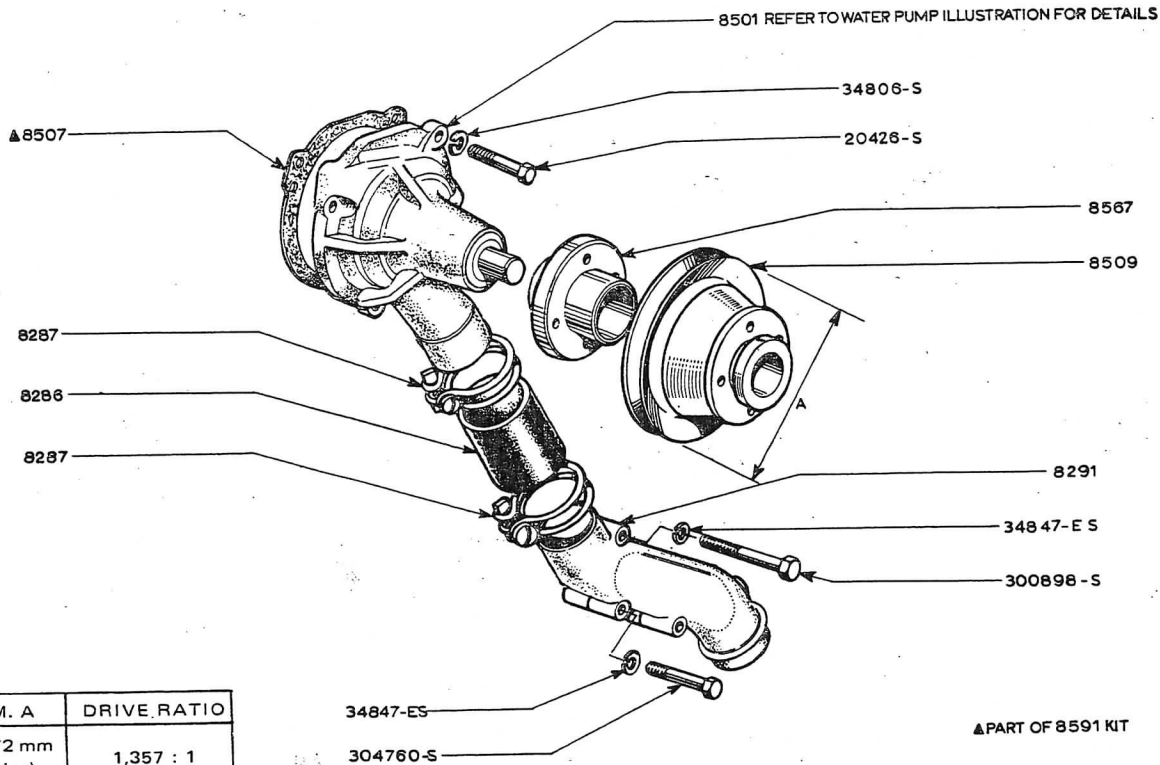
WATER PUMP INSTALLATION-2 O'CLOCK INLET-SINGLE 167 PULLEY



▲ PART OF 8591KIT

WATER PUMP INSTALLATION - 2 O'CLOCK INLET - TWIN 1.32 AND 1.67 PULLEY

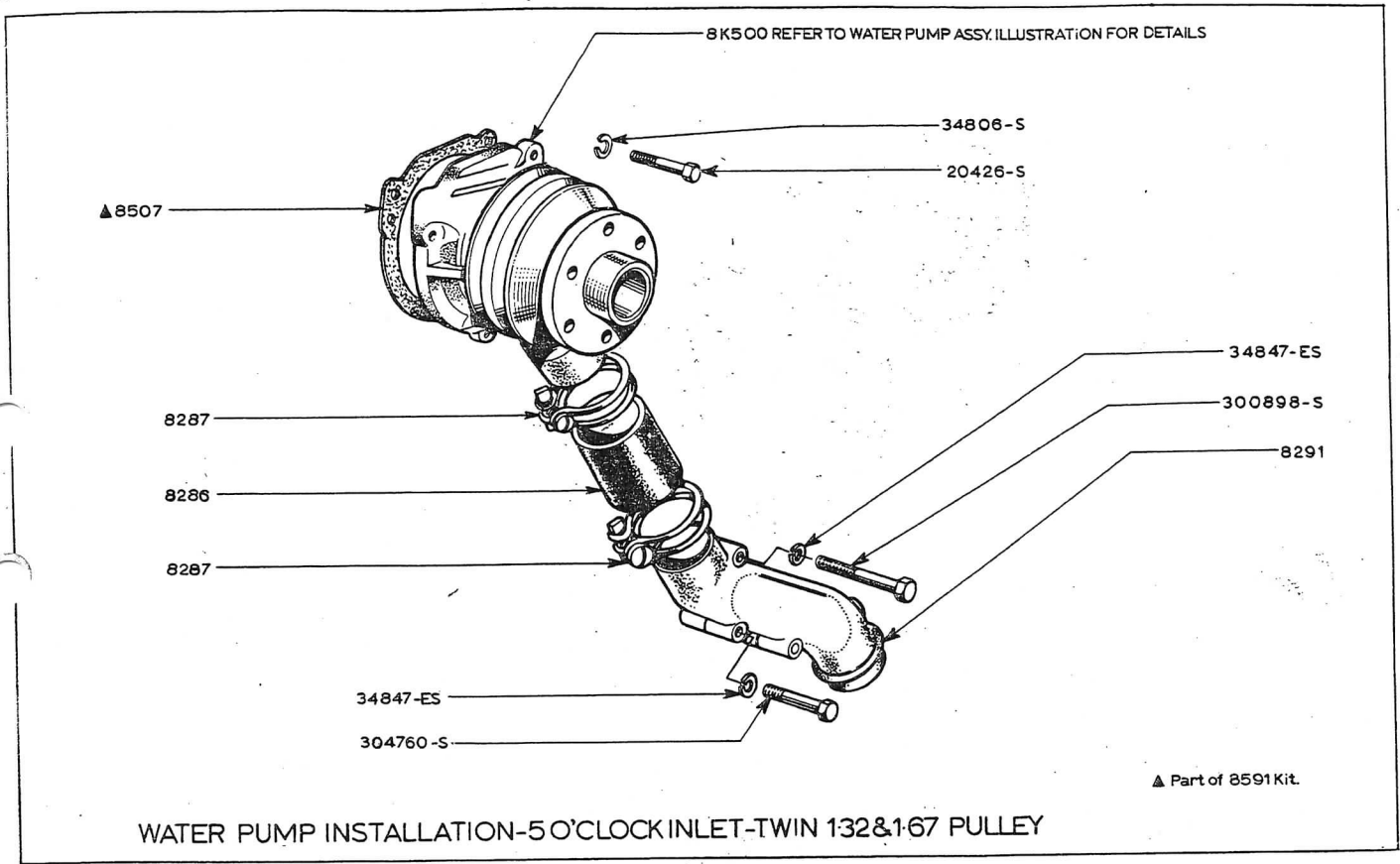
2712E

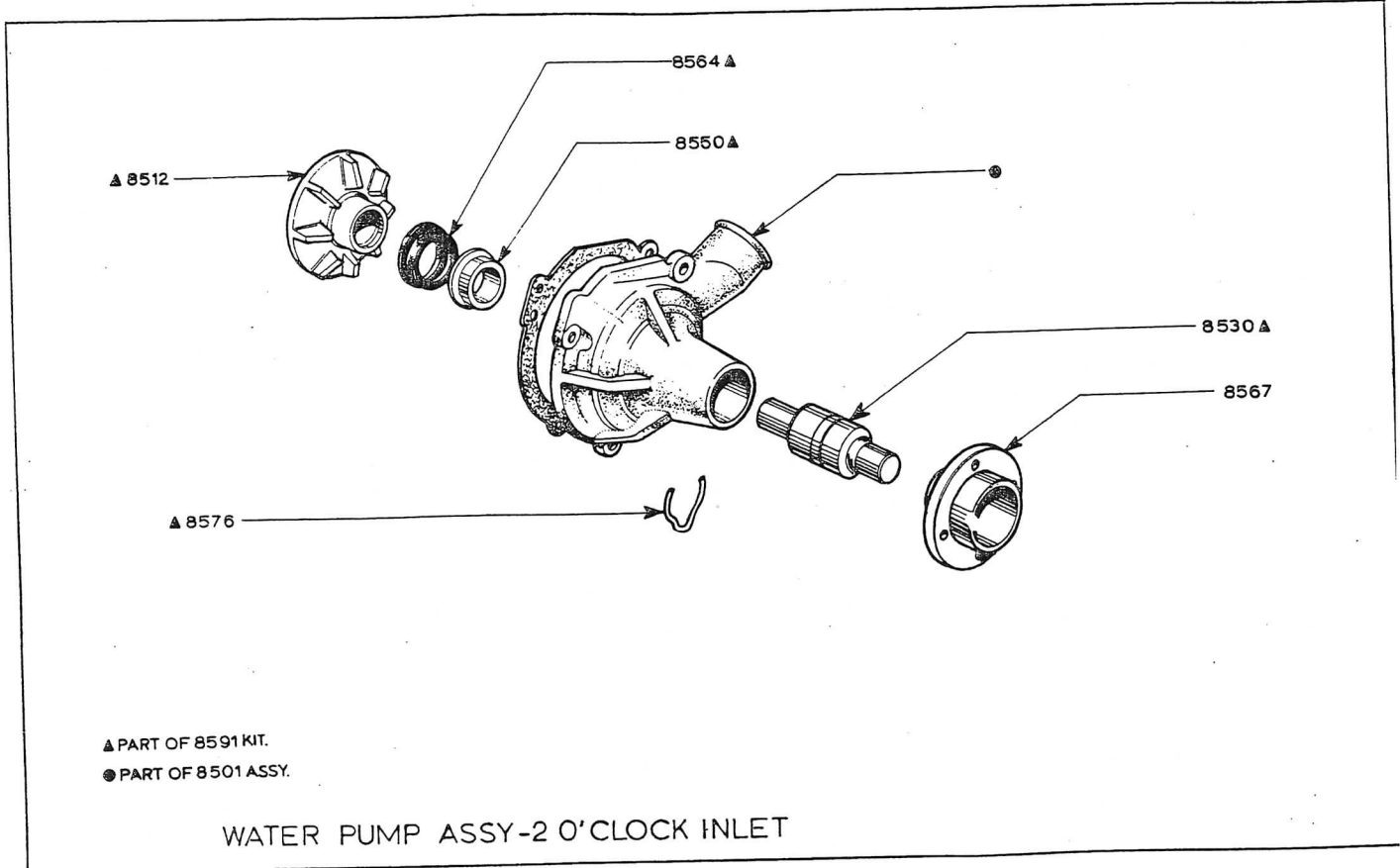


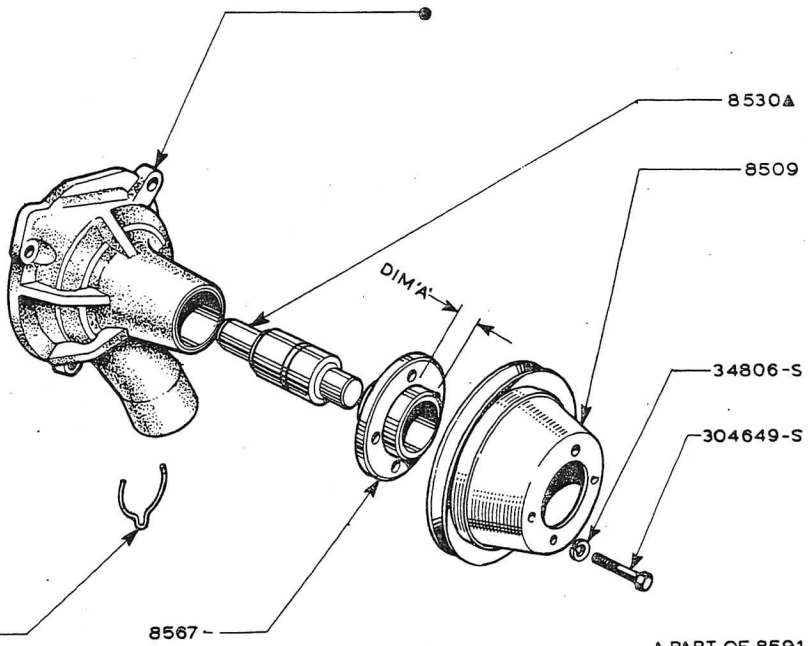
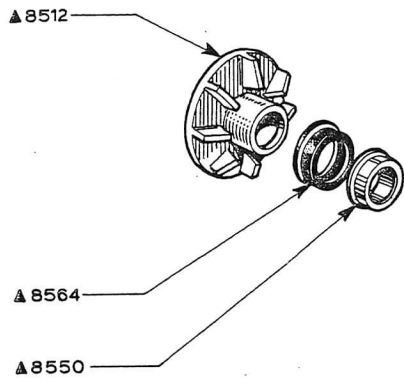
DIM. A	DRIVE RATIO
140.72 mm (5.54 ins)	1,357 : 1
114.3 mm (4.50 ins)	1,67 : 1

WATER PUMP INSTALLATION-5'O CLOCK INLET.
- SINGLE 1.357 & 1.67 PULLEY

▲PART OF 8591 KIT



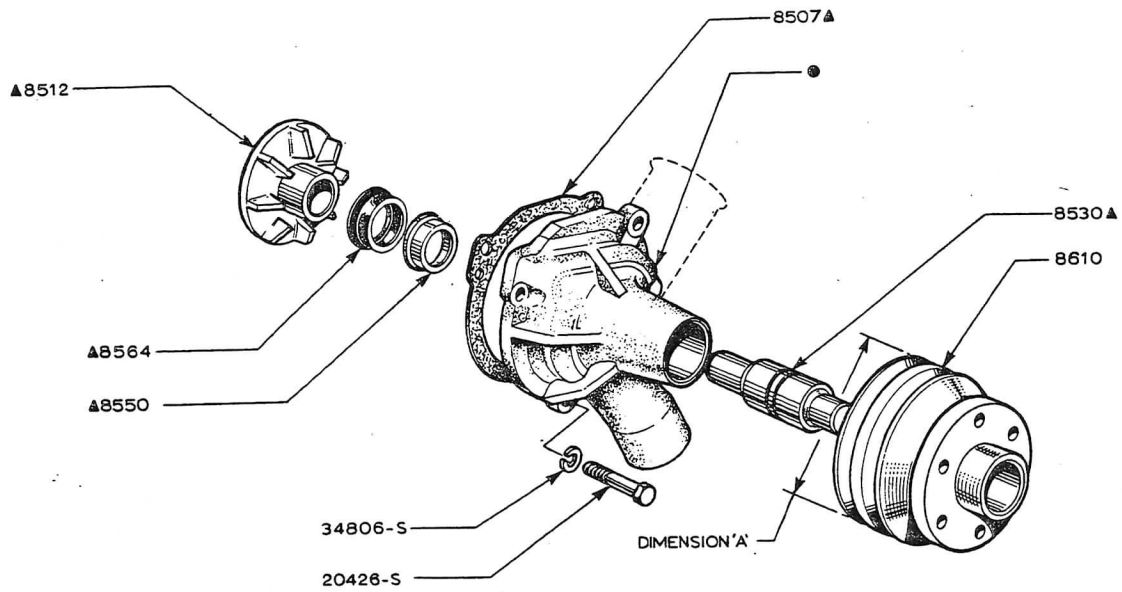




DIM. A	DRIVE RATIO
9.14 mm (0.36 in)	1.67 : 1
20.83 mm (0.82 in)	1.357 : 1

▲ PART OF 8591 KIT
● PART OF 8501 ASSY.

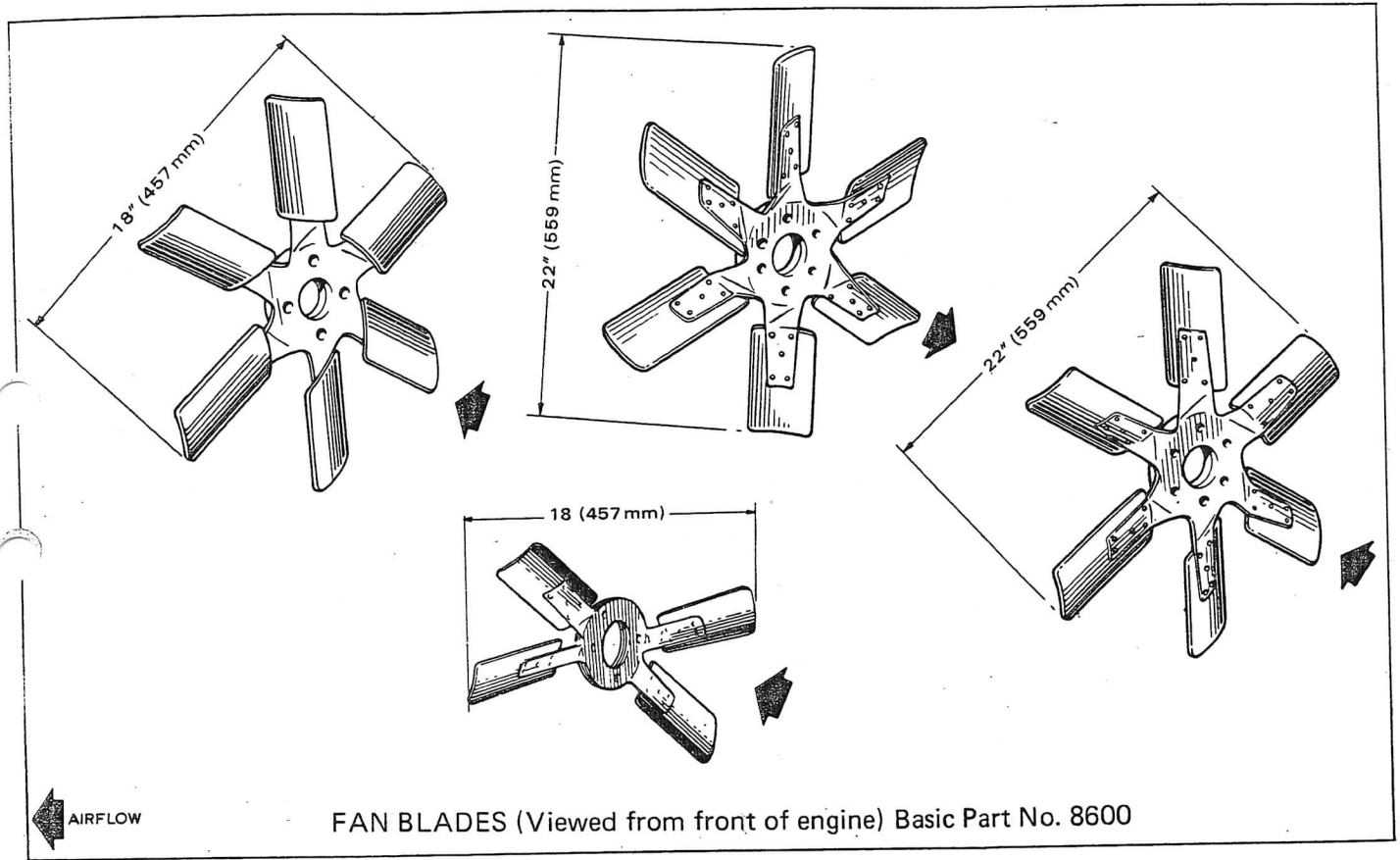
WATER PUMP ASSY-5 O'CLOCK INLET-SINGLE 1.357&1.67 PULLEY

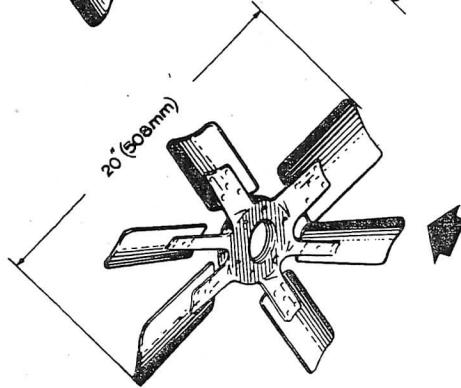
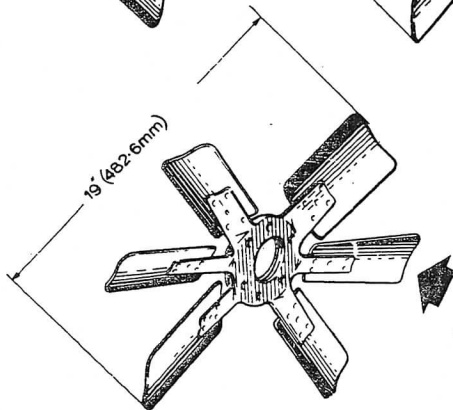
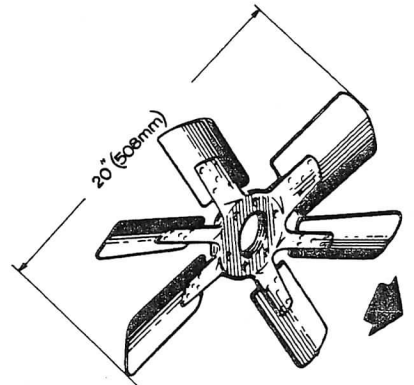
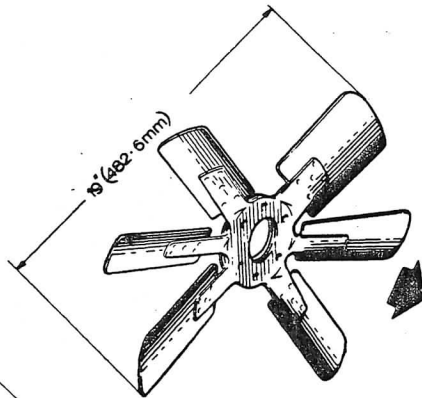
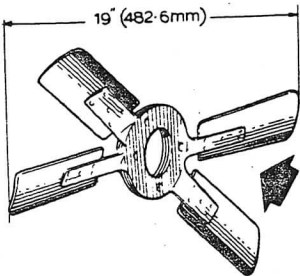


● PART OF 8501 ASSY.
 ▲ PART OF 8591 KIT

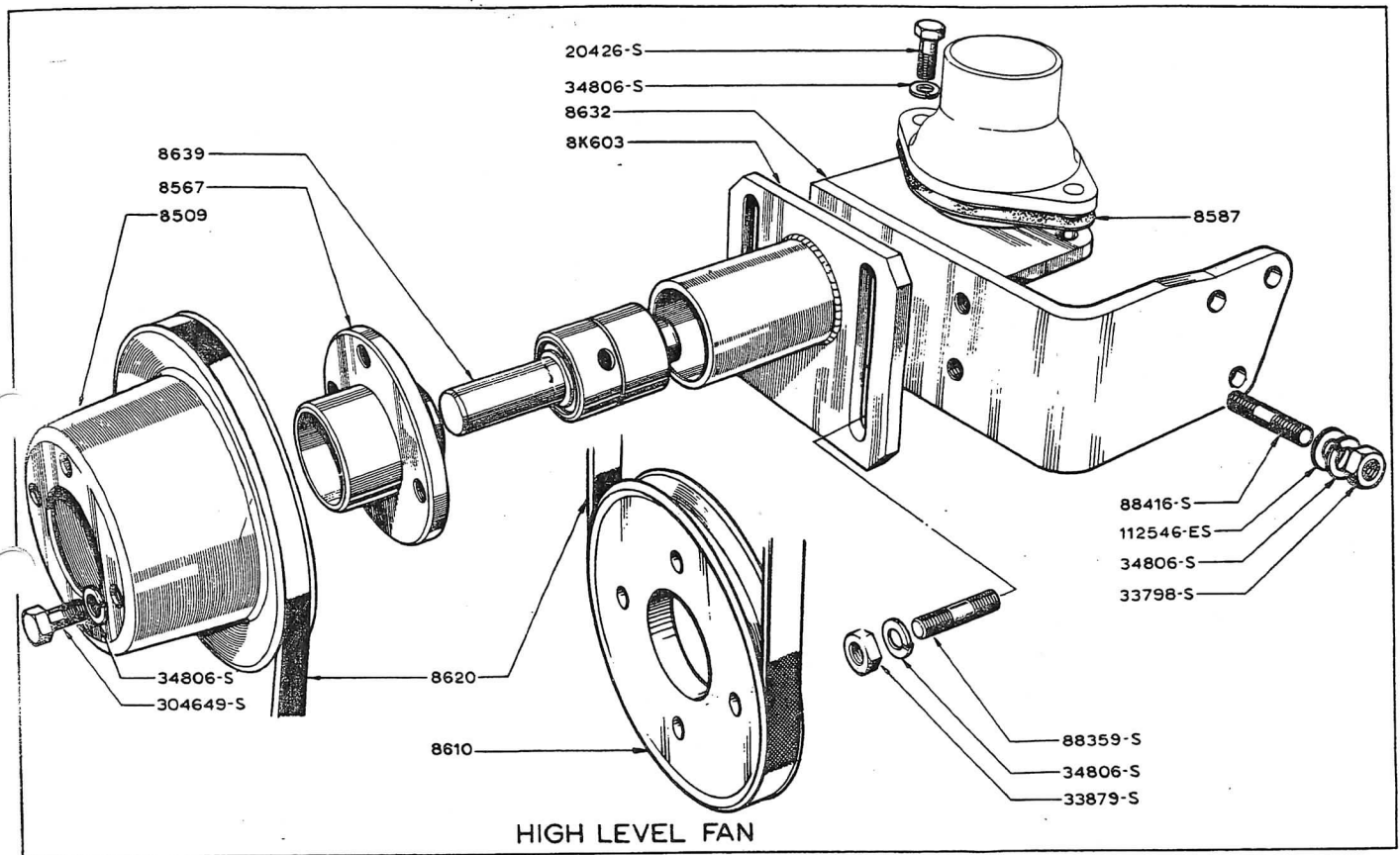
DIM. A	PUMP OUTLET	DRIVE RATIO
113.38 mm (4.07 in)	2 o'clock 5 o'clock	1.32 : 1
146.81 mm (5.78 in)	2 o'clock 5 o'clock	1.67 : 1

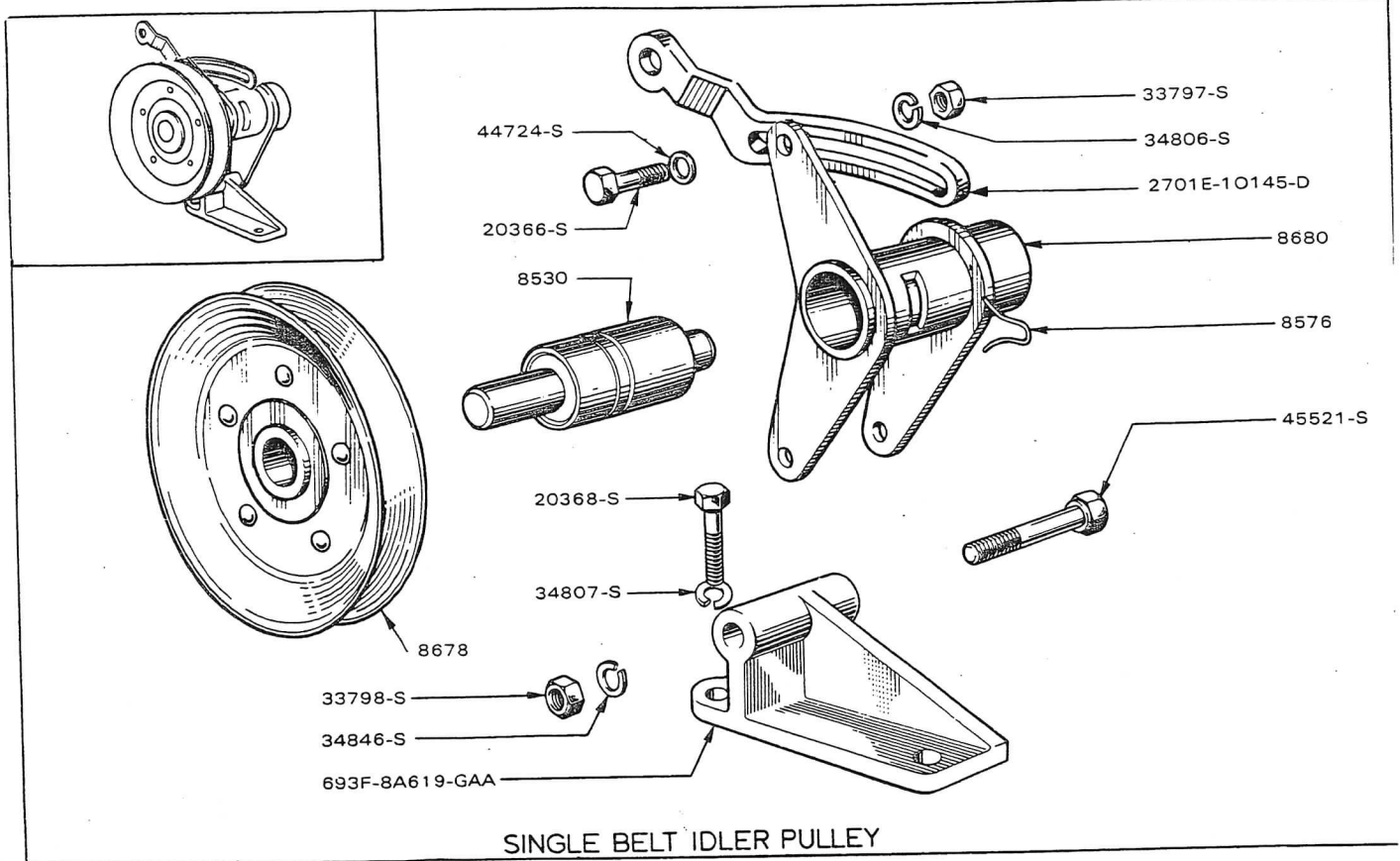
WATER PUMP ASSYS-TWIN 1.32 & 1.67 PULLEY A

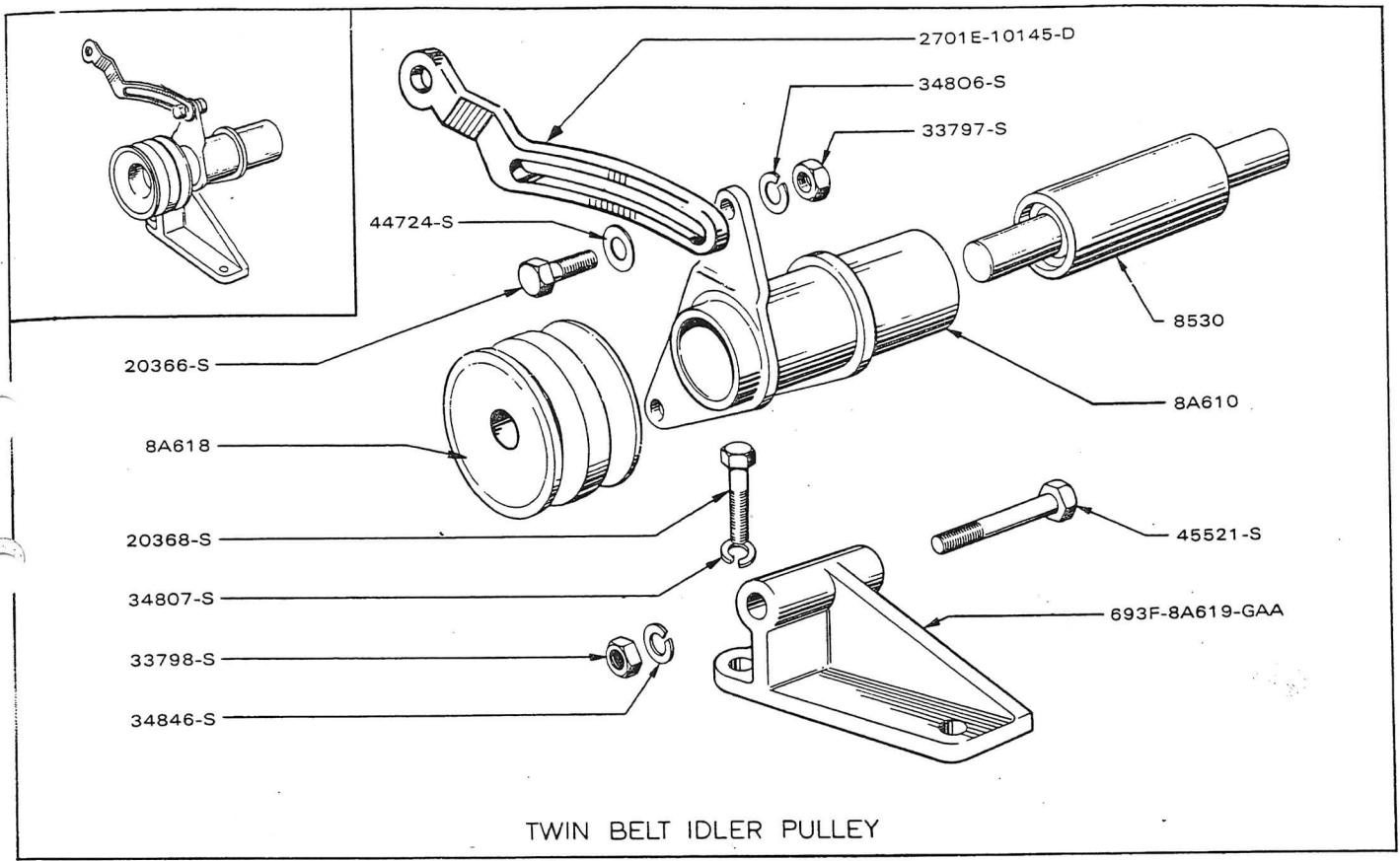


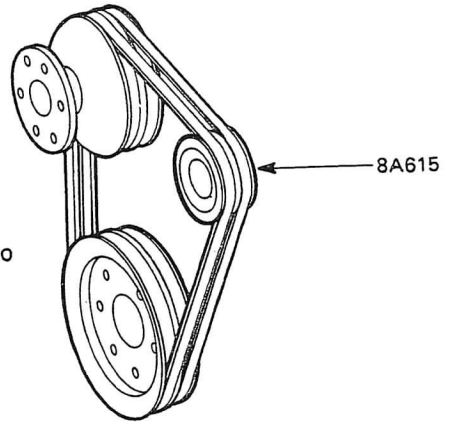
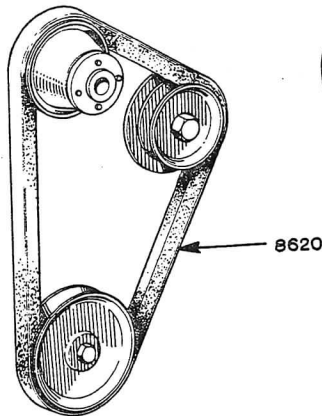
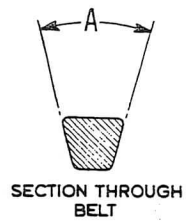
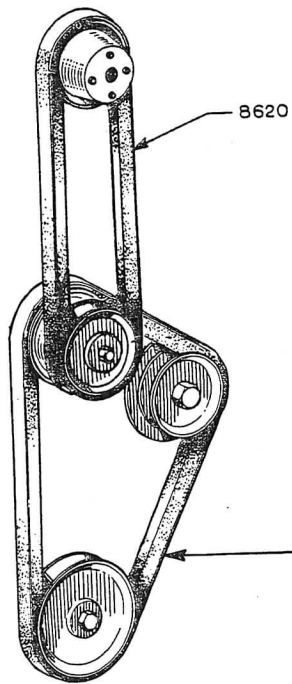


FAN BLADES (Viewed from front of engine) Basic Part No. 8600







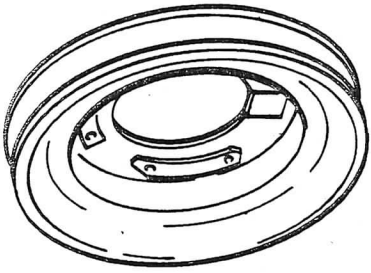


FAN BELTS

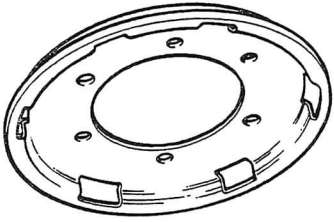
USAGE	OUTSIDE LENGTH (LOADED)	ANGLE A
With 1-357 : 1 ratio W/pump pulley, Generator, or 24V Alternator, or 1-67 : 1 ratio W/pump pulley and 12V (36A) Alternator or idler pulley	1182 mm (46-53 in)	38°
With 1-67 : 1 ratio W/pump pulley, Generator, or 12V (55A) or 24V Alternator	1158 mm (45-59 in)	38°
With 1-357 : 1 ratio W/pump pulley, 12V (36A) Alternator or Idler pulley	1214 mm (47-79 in)	38°
*With 1-67 : 1 ratio W/pump pulley, 12V (55A) or 24V Alternator or Idler pulley	1158 mm (45-59 in)	38°
*With 1-32 : 1 ratio W/pump pulley, 12V (55A) or 24V Alternator, or Idler pulley or with 1-67 : 1 ratio W/pump pulley and 12V (36A) Alternator	1181 mm (46-50 in)	38°

*Fan belts must be used in matched sets.

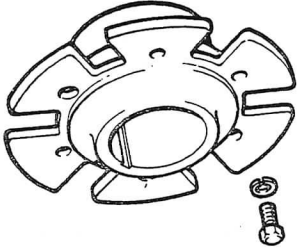
2703-E-6312-A



2700E-6K300

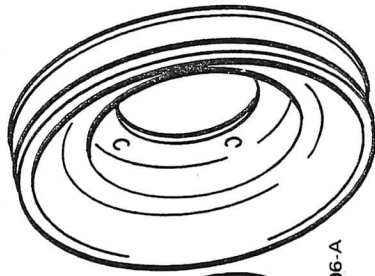


2709E-6313-A

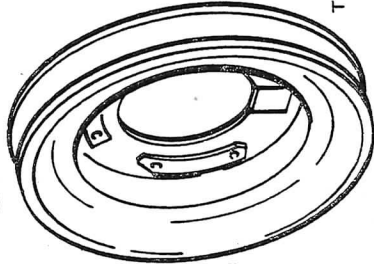


SINGLE BELT DRIVE

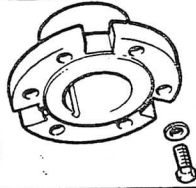
2703E-6312-B



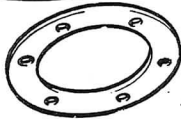
2703E-6312-A



2704E-6313-A

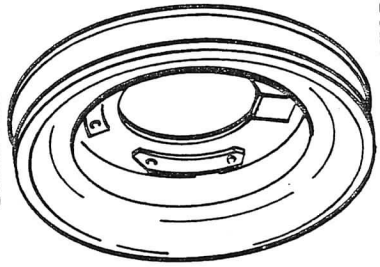


2704E-6B306-A

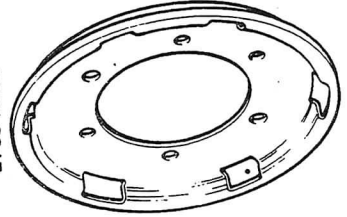


TWIN BELT DRIVE AND 1 SHEAF P.T.O.

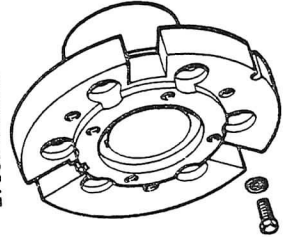
2701E-6312-A



2700-K300

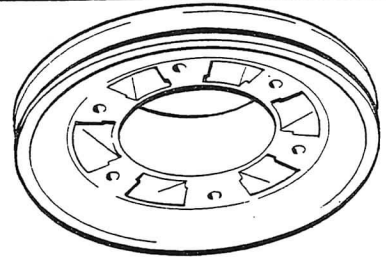
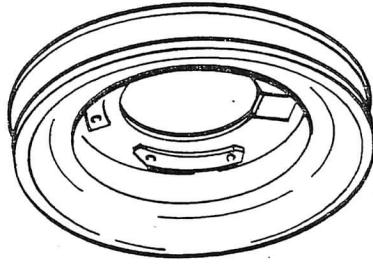
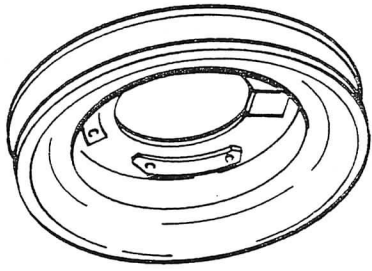


2703E-6313-D

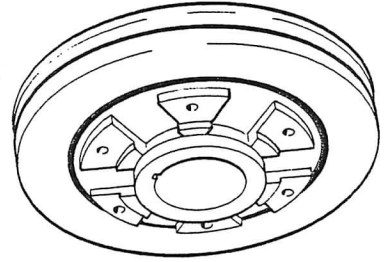
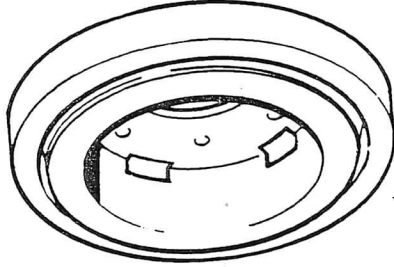
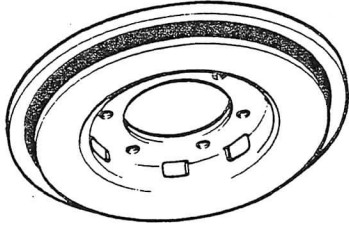


PULLEY AND DAMPER-TAPPED FOR P.T.O. ADAPTOR

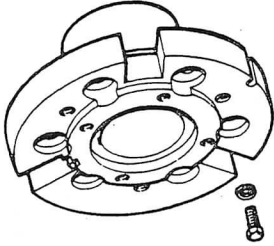
CRANKSHAFT DAMPERS AND PULLEYS



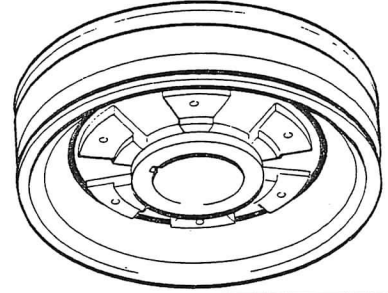
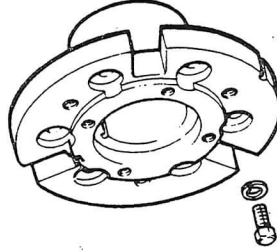
703F-6364-BBA



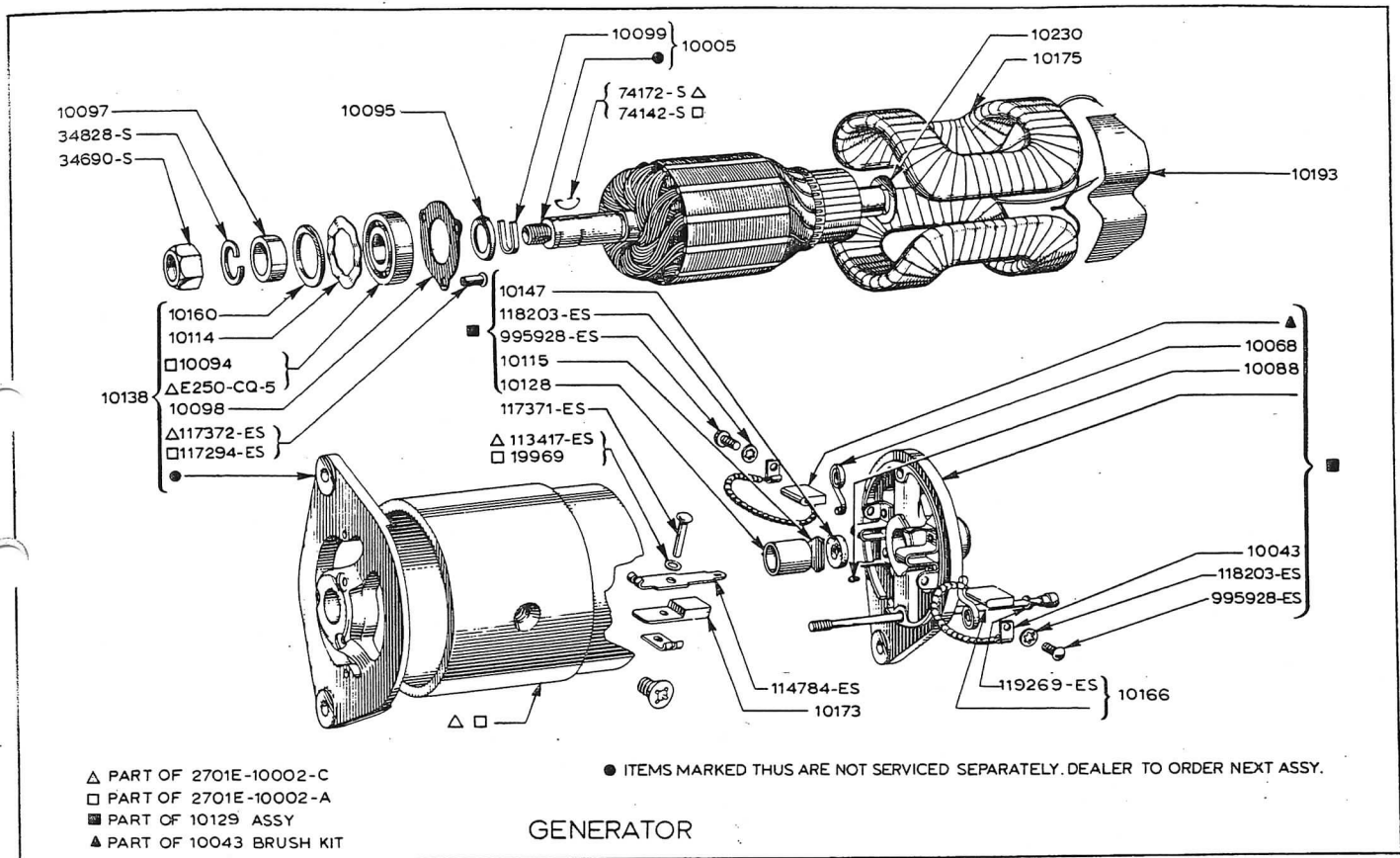
2701E-6313-D

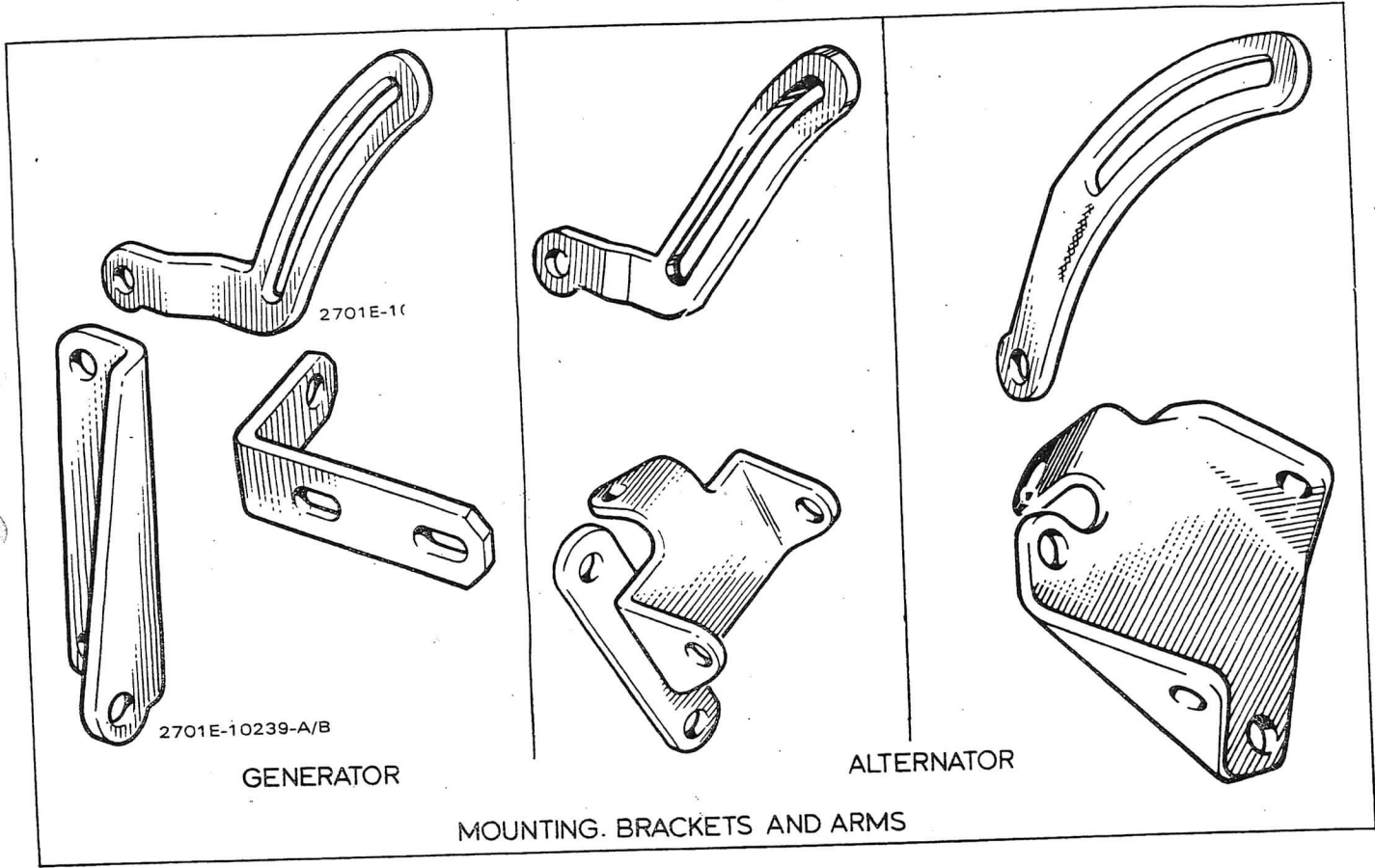


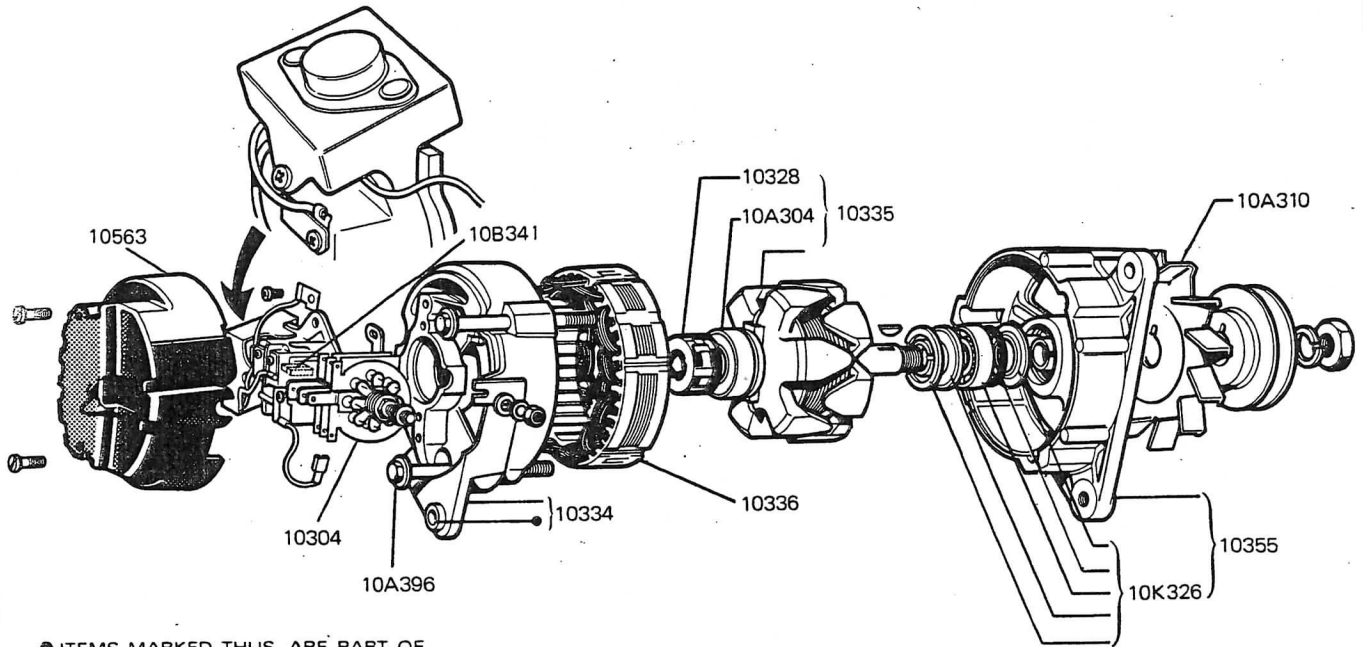
2701E-6313-D



CRANKSHAFT DAMPERS AND PULLEYS

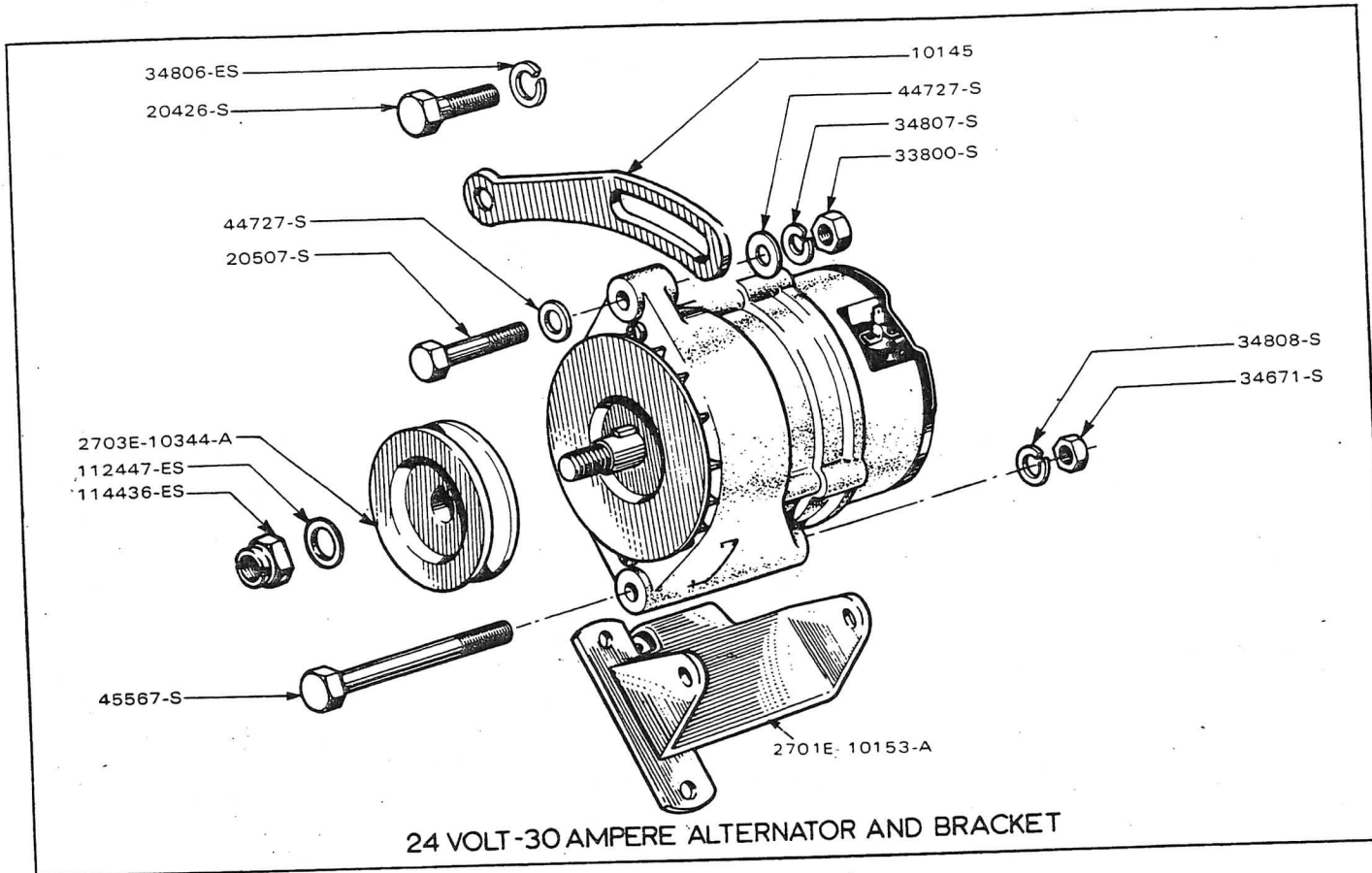


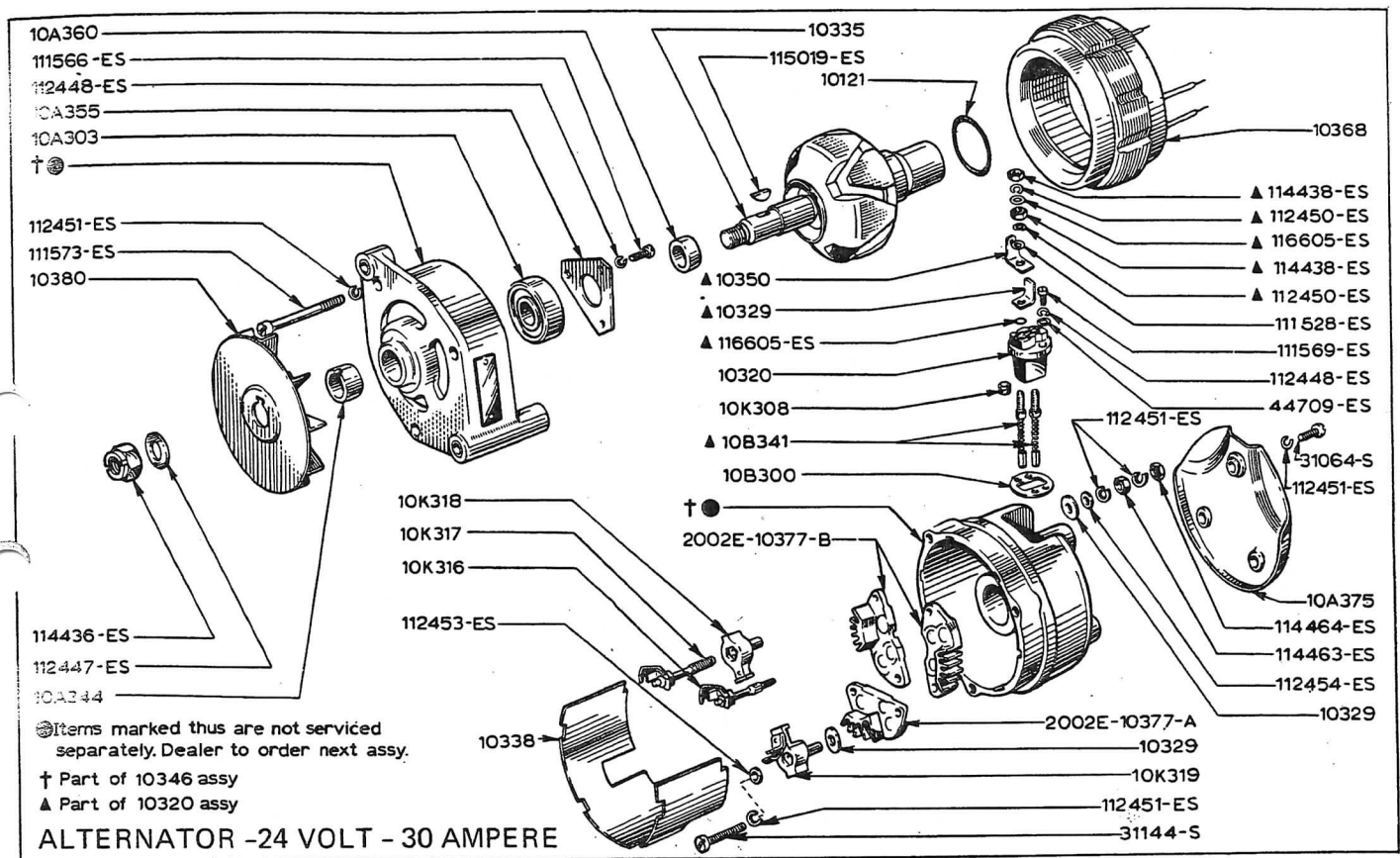


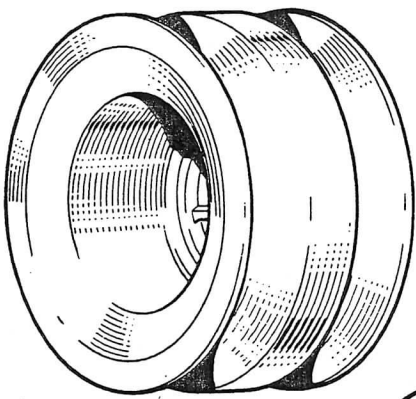


● ITEMS MARKED THUS, ARE PART OF
SUNDRY PARTS KIT 10B304

ALTERNATOR ASSEMBLY 12VOLT-36AMPERE

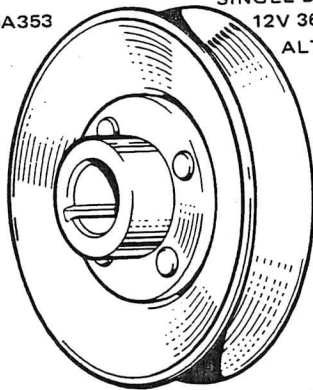




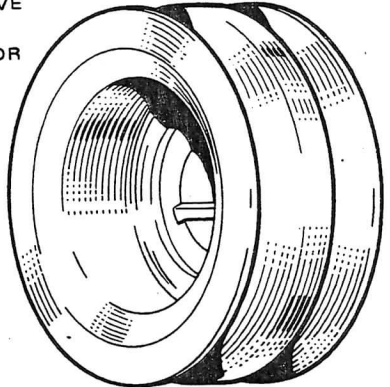


10344
TWIN BELT DRIVE
12V-36 AMP
ALTERNATOR

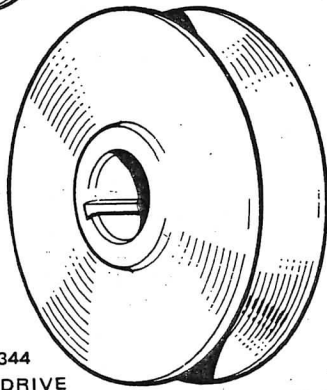
10A353



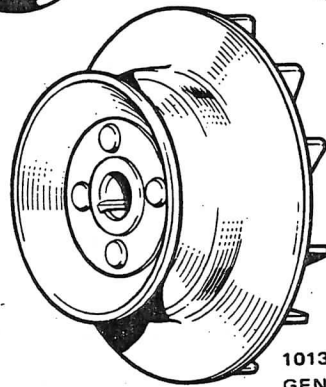
SINGLE BELT DRIVE
12V 36 AMP
ALTERNATOR



10344 TWIN BELT DRIVE
12V-55 AMP
ALTERNATOR

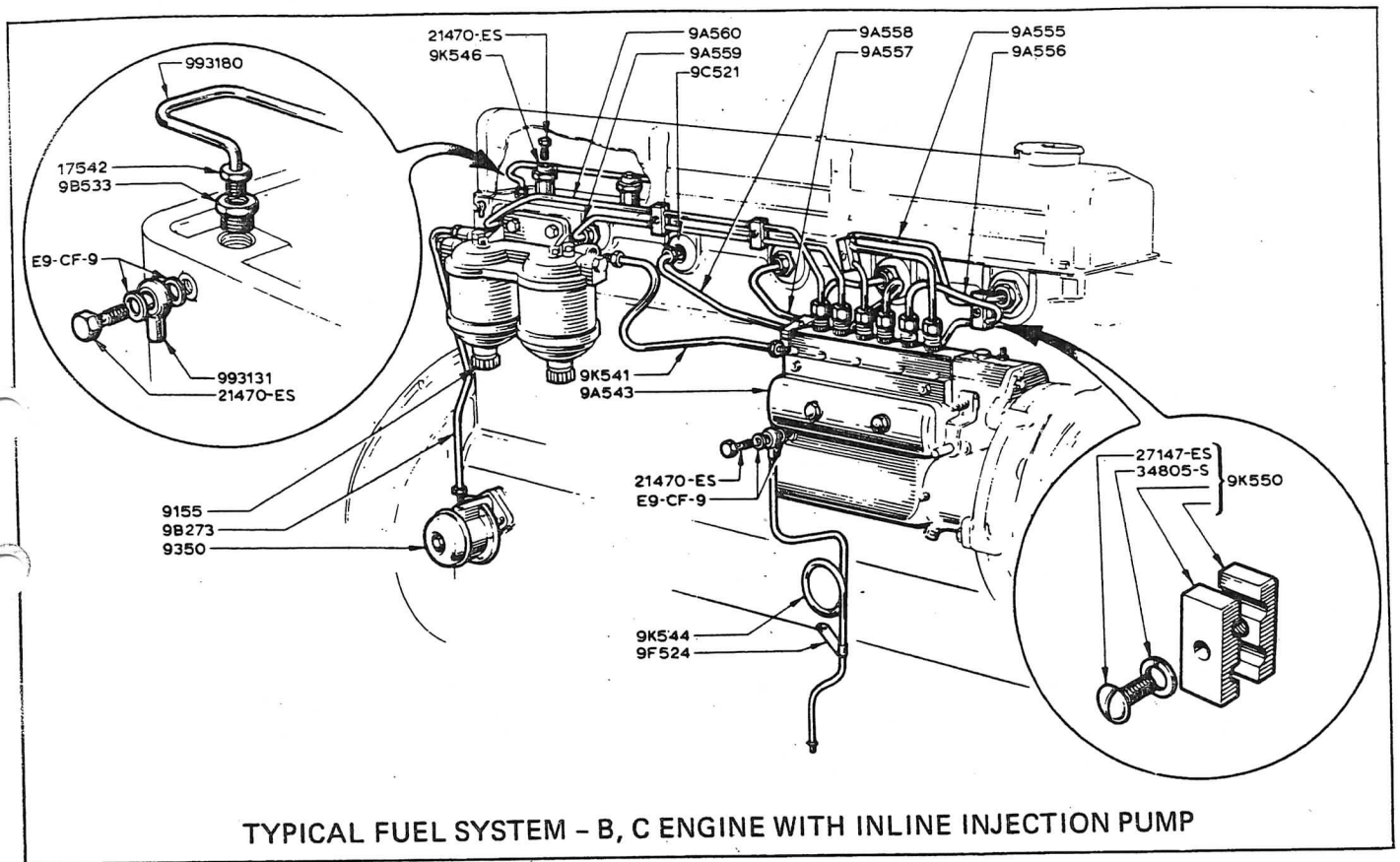


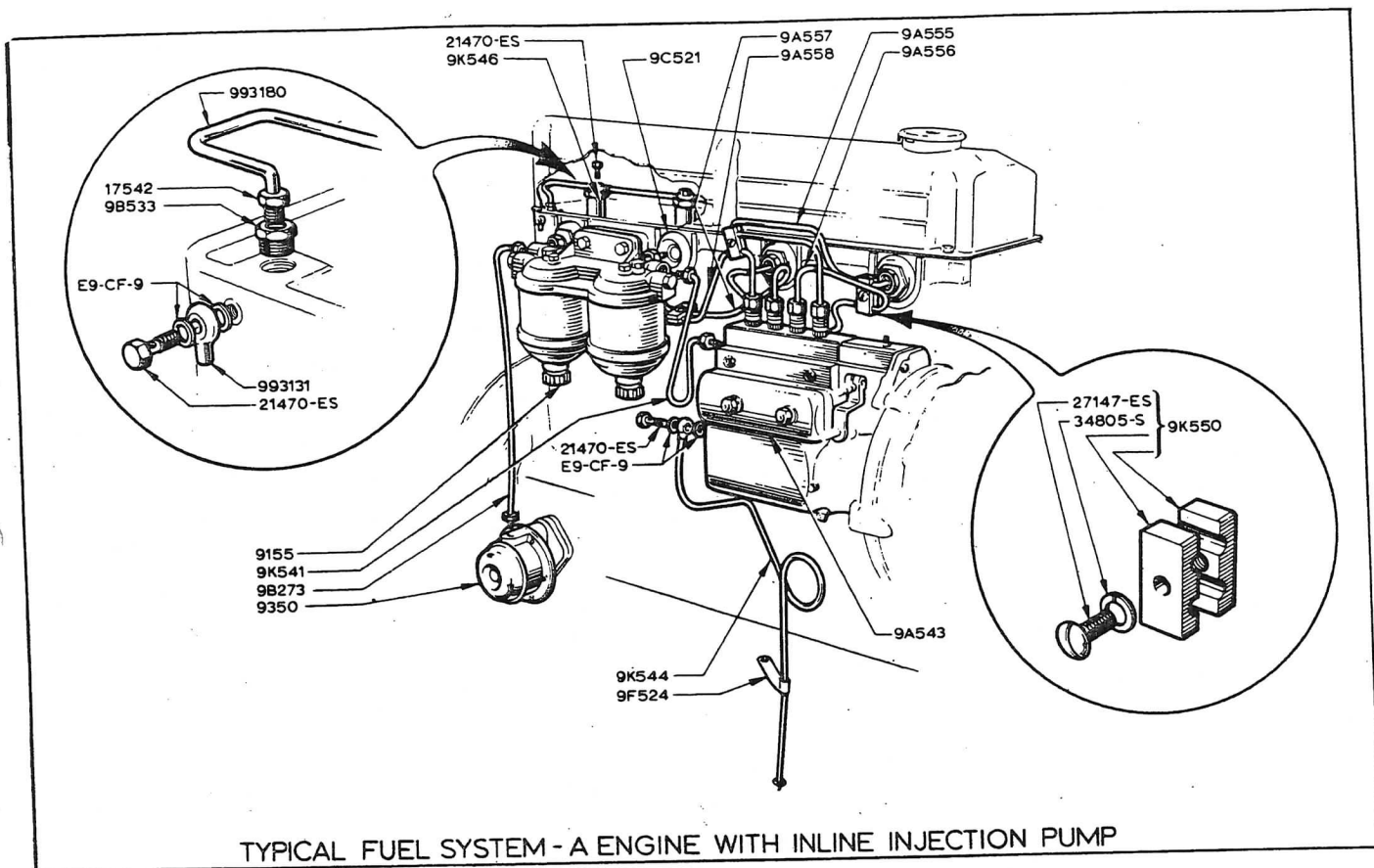
10344
SINGLE BELT DRIVE
12V-55 AMP AND 24V-30 AMP ALTERNATOR

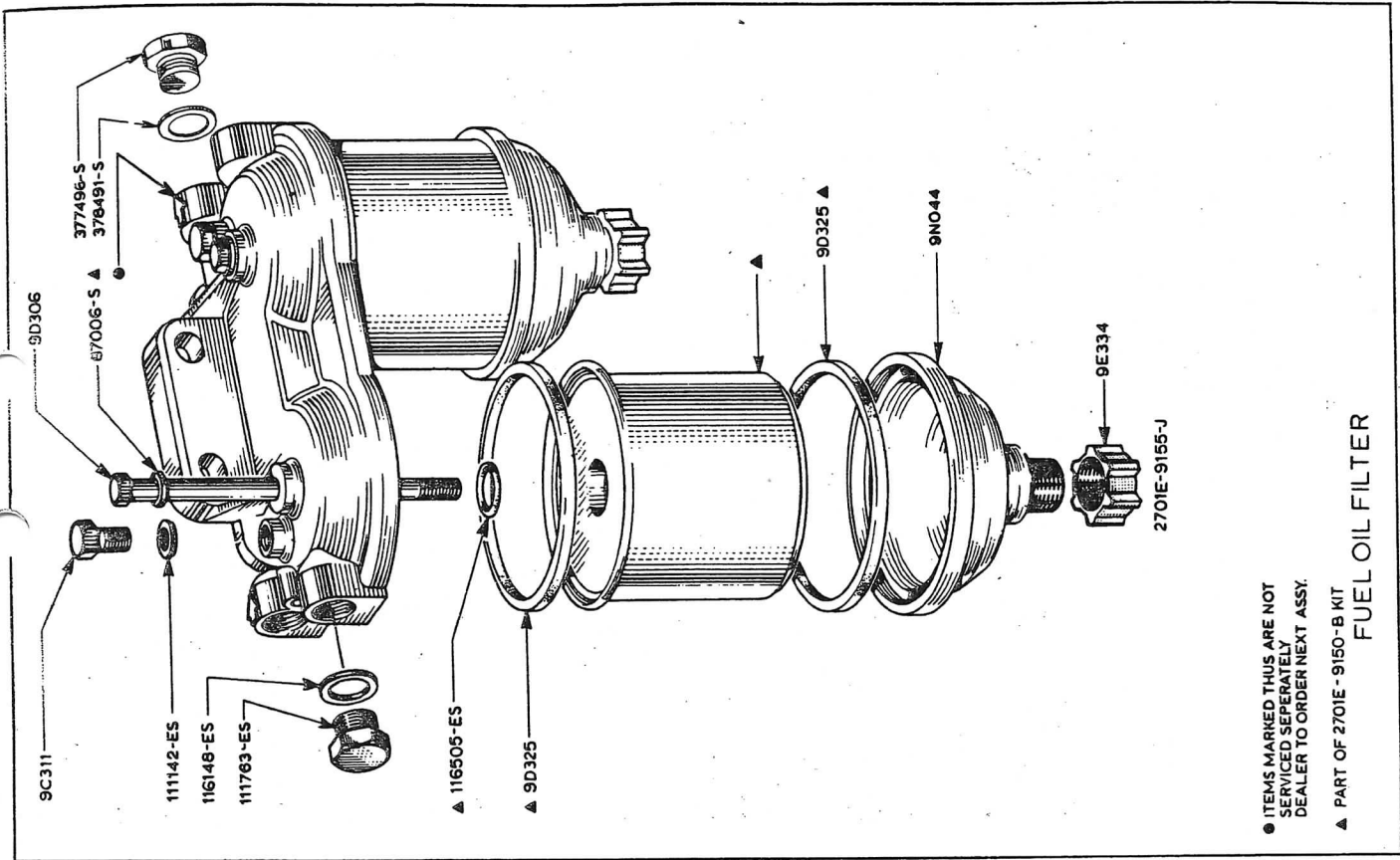


10130
GENERATOR

ALTERNATOR AND GENERATOR PULLEYS

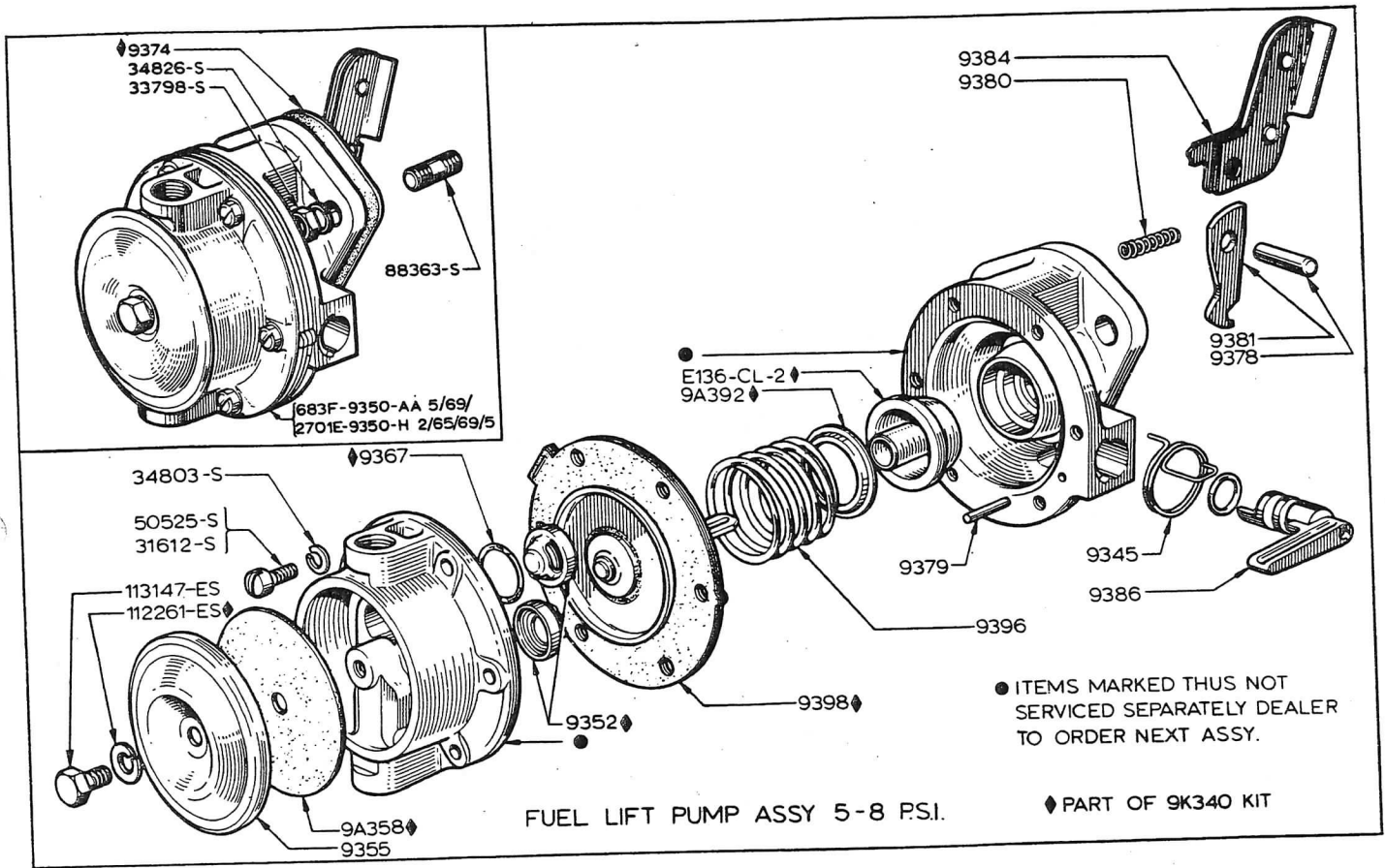


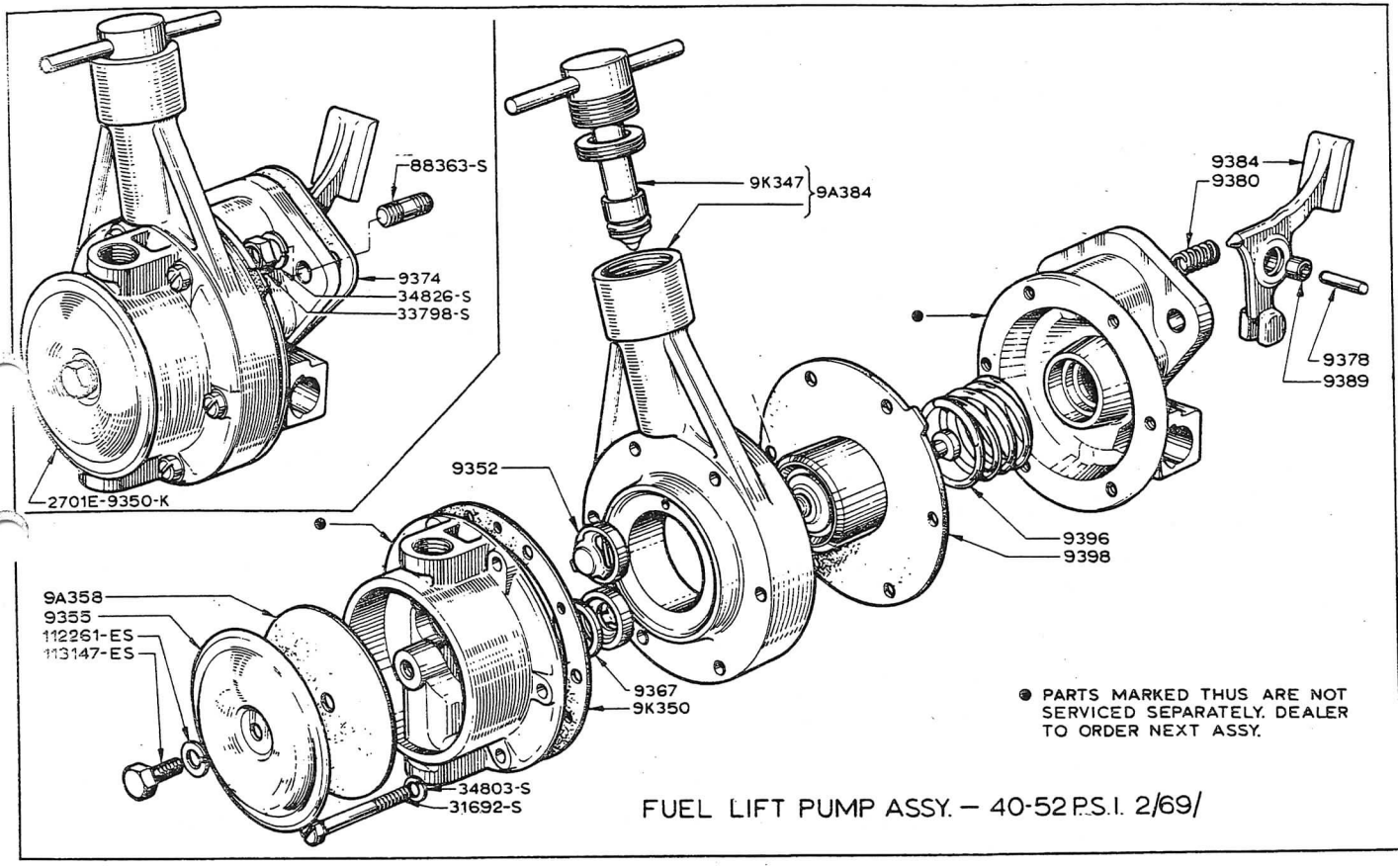


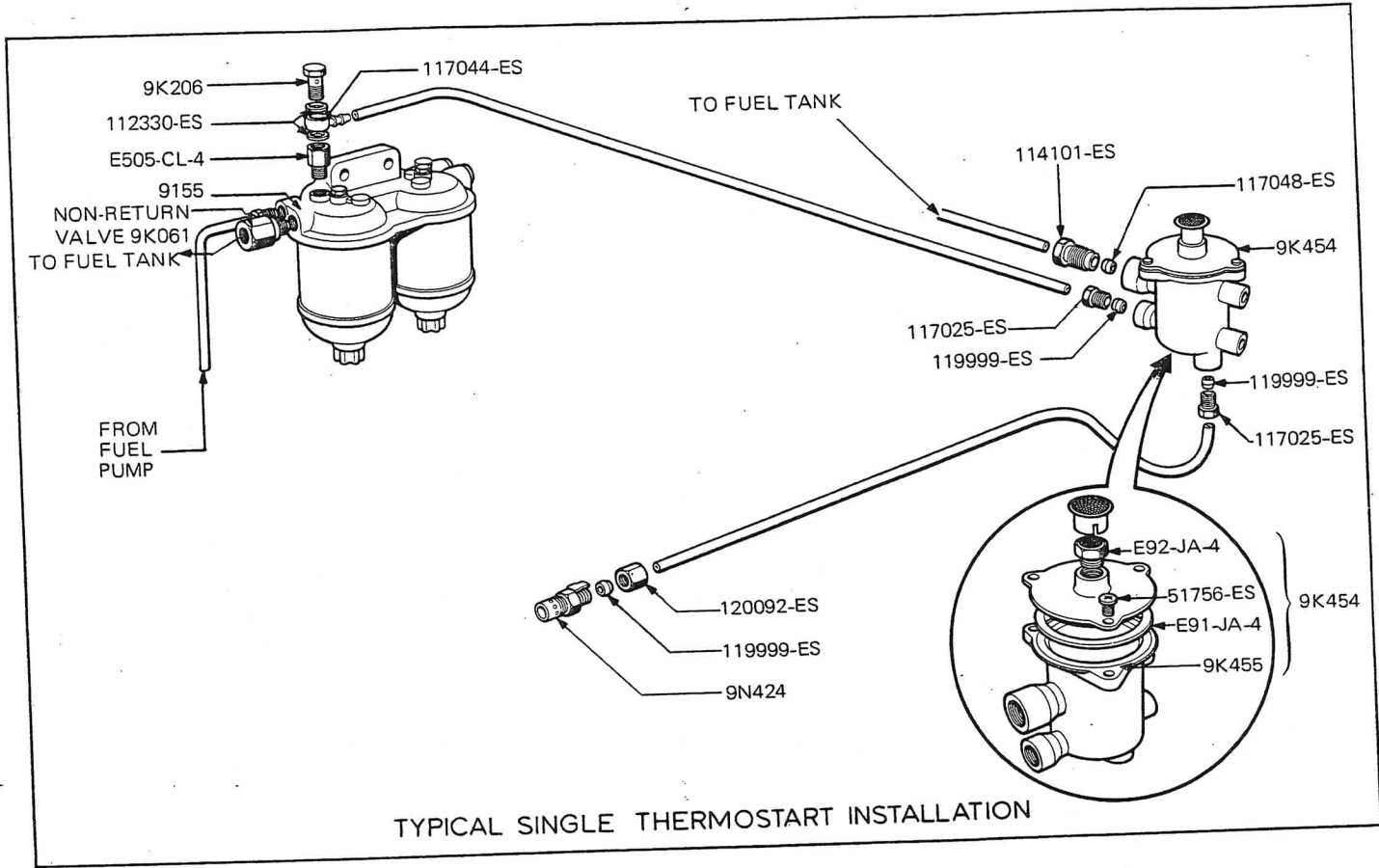


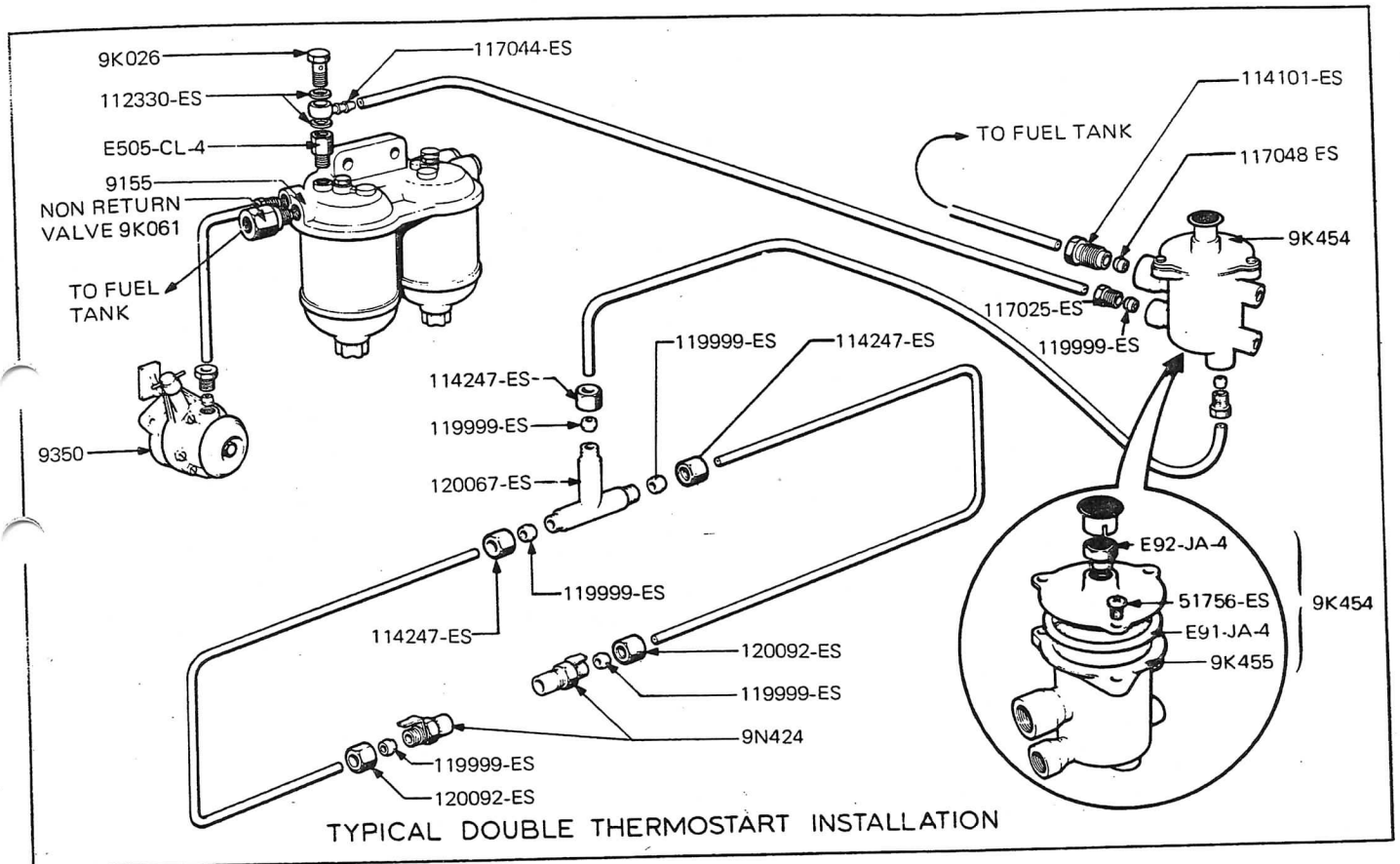
● ITEMS MARKED THUS ARE NOT
 SERVICED SEPARATELY
 DEALER TO ORDER NEXT ASSY.

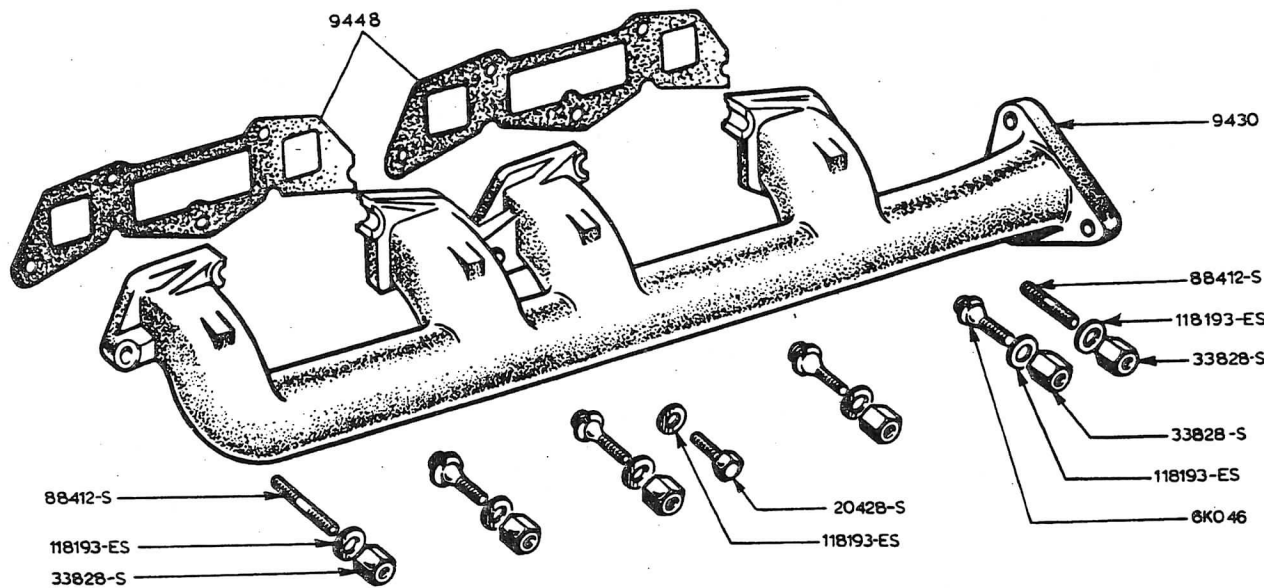
▲ PART OF 2701E-9150-B KIT
FUEL OIL FILTER



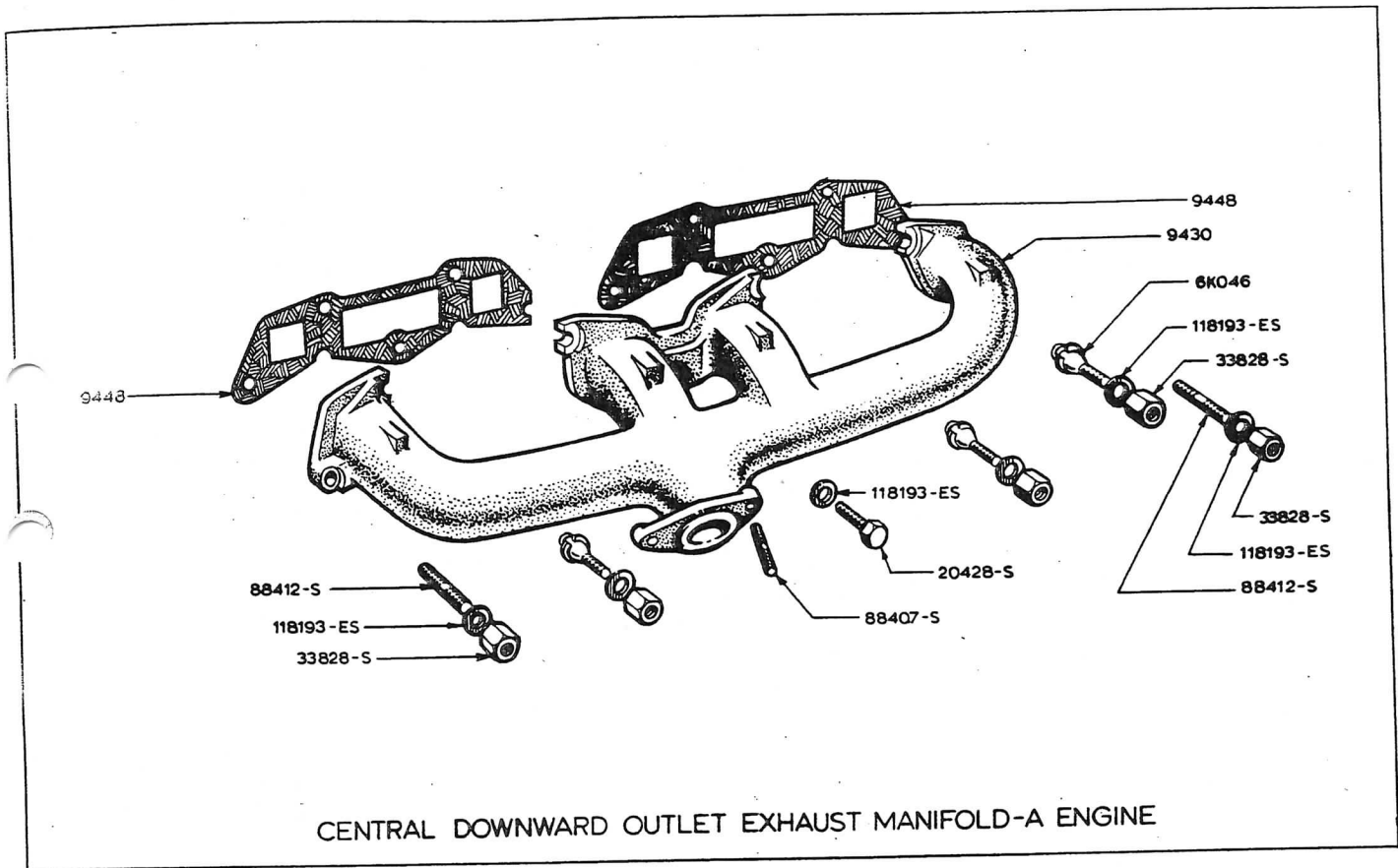


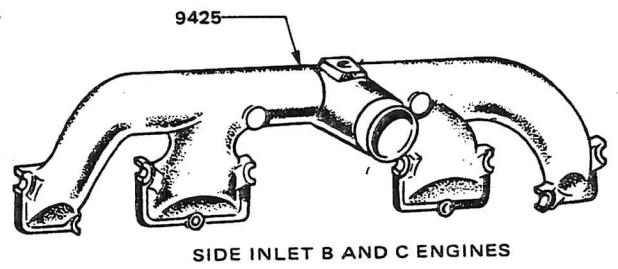
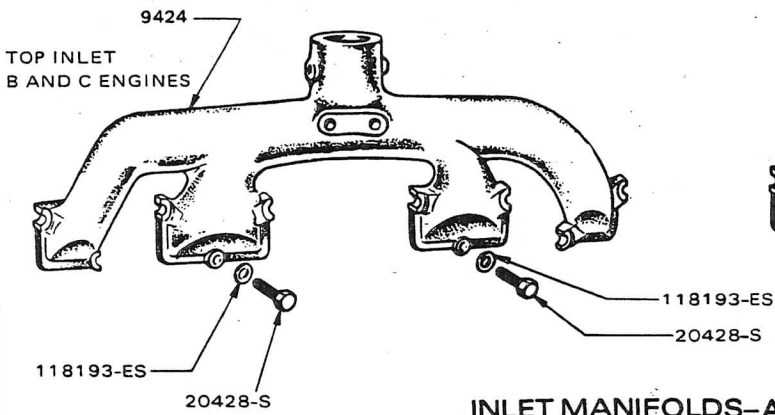
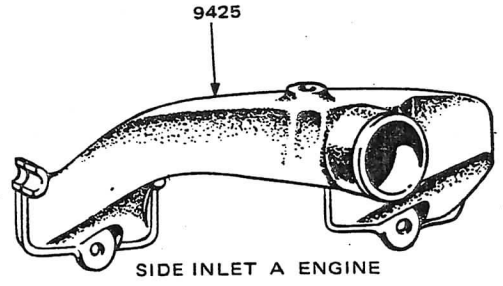
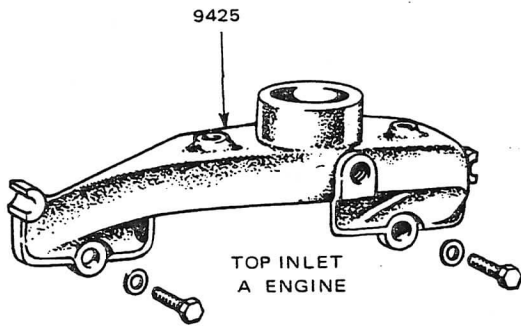






HORIZONTAL REAR OUTLET EXHAUST MANIFOLD - A ENGINE

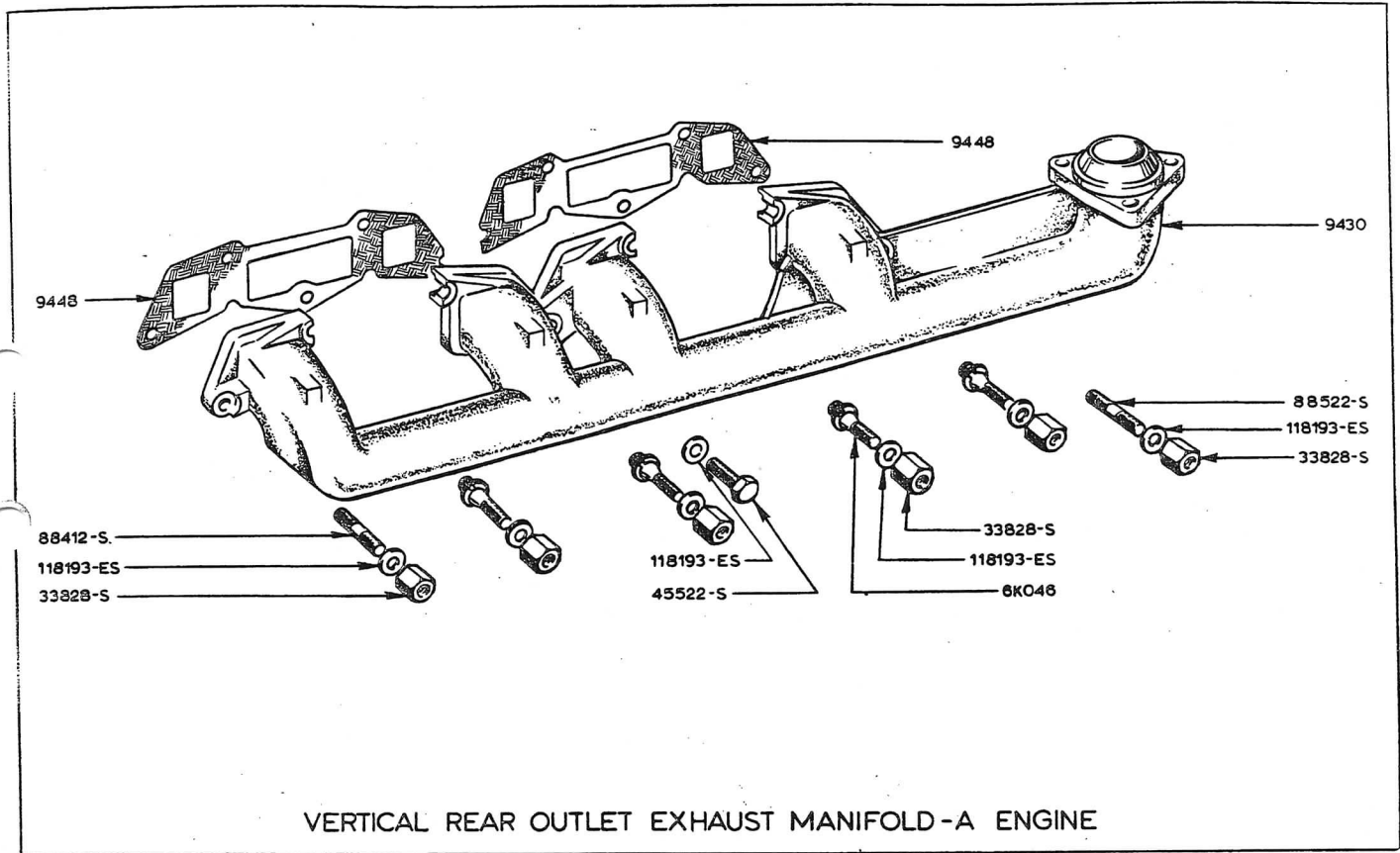


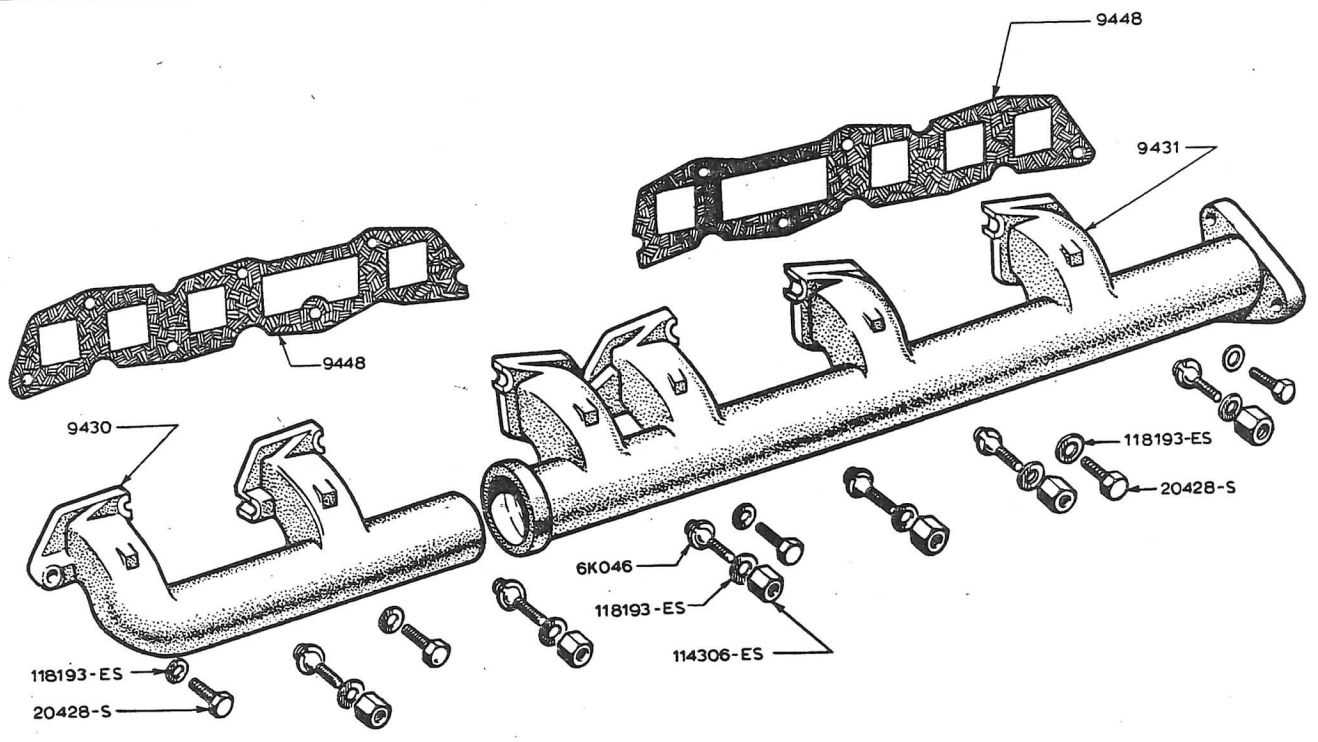


118193-ES

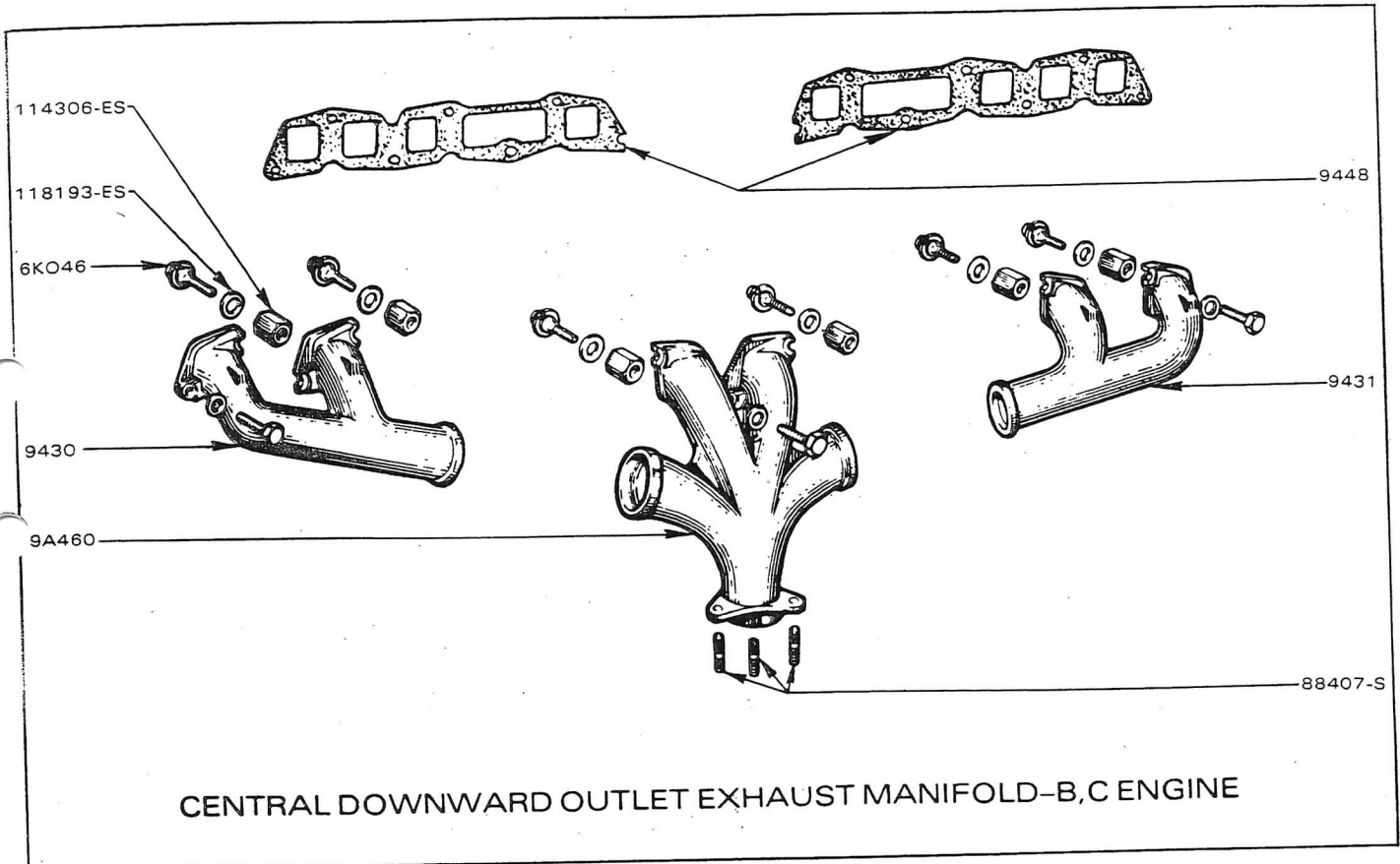
20428-S

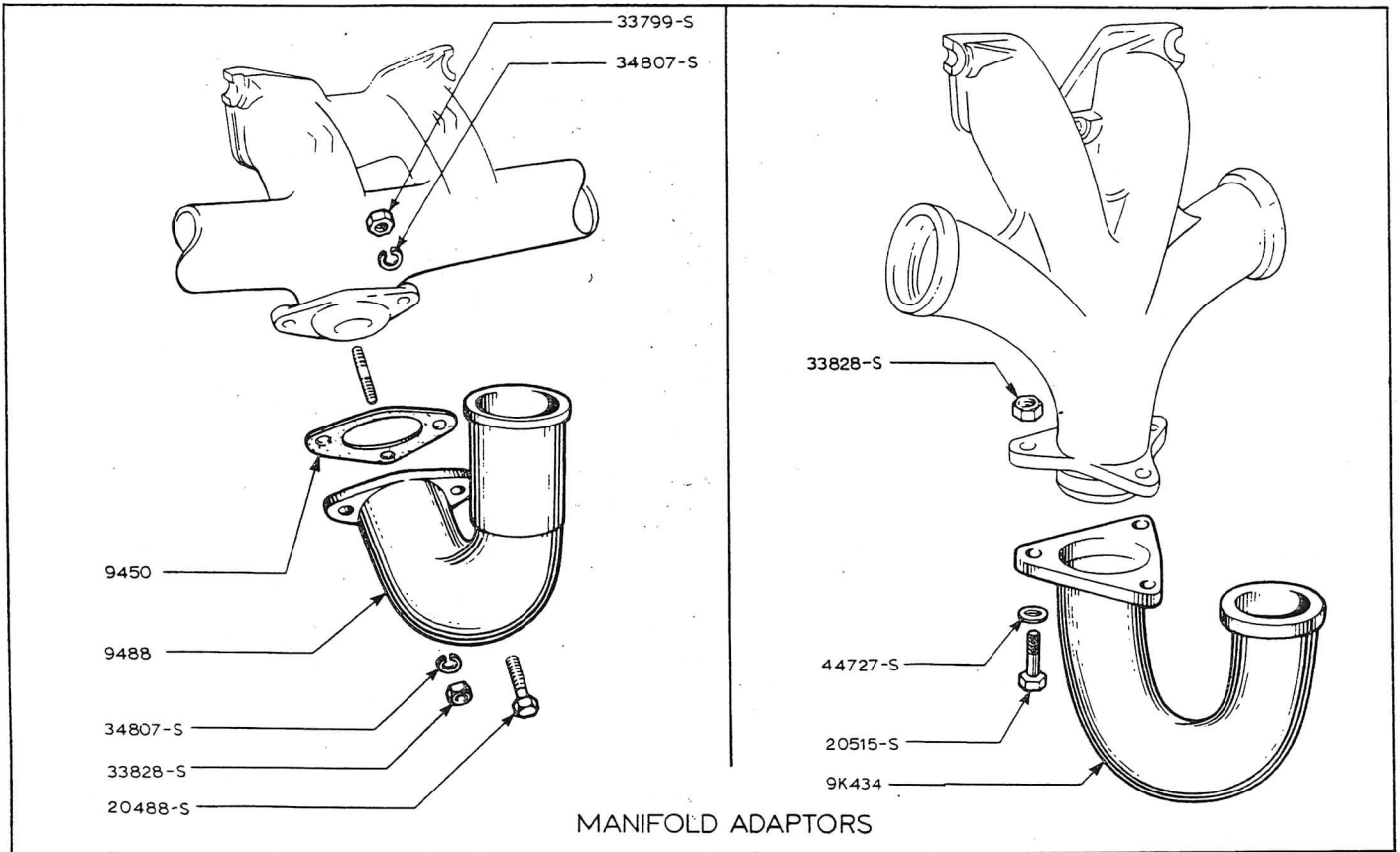
INLET MANIFOLDS—A, B, C ENGINES

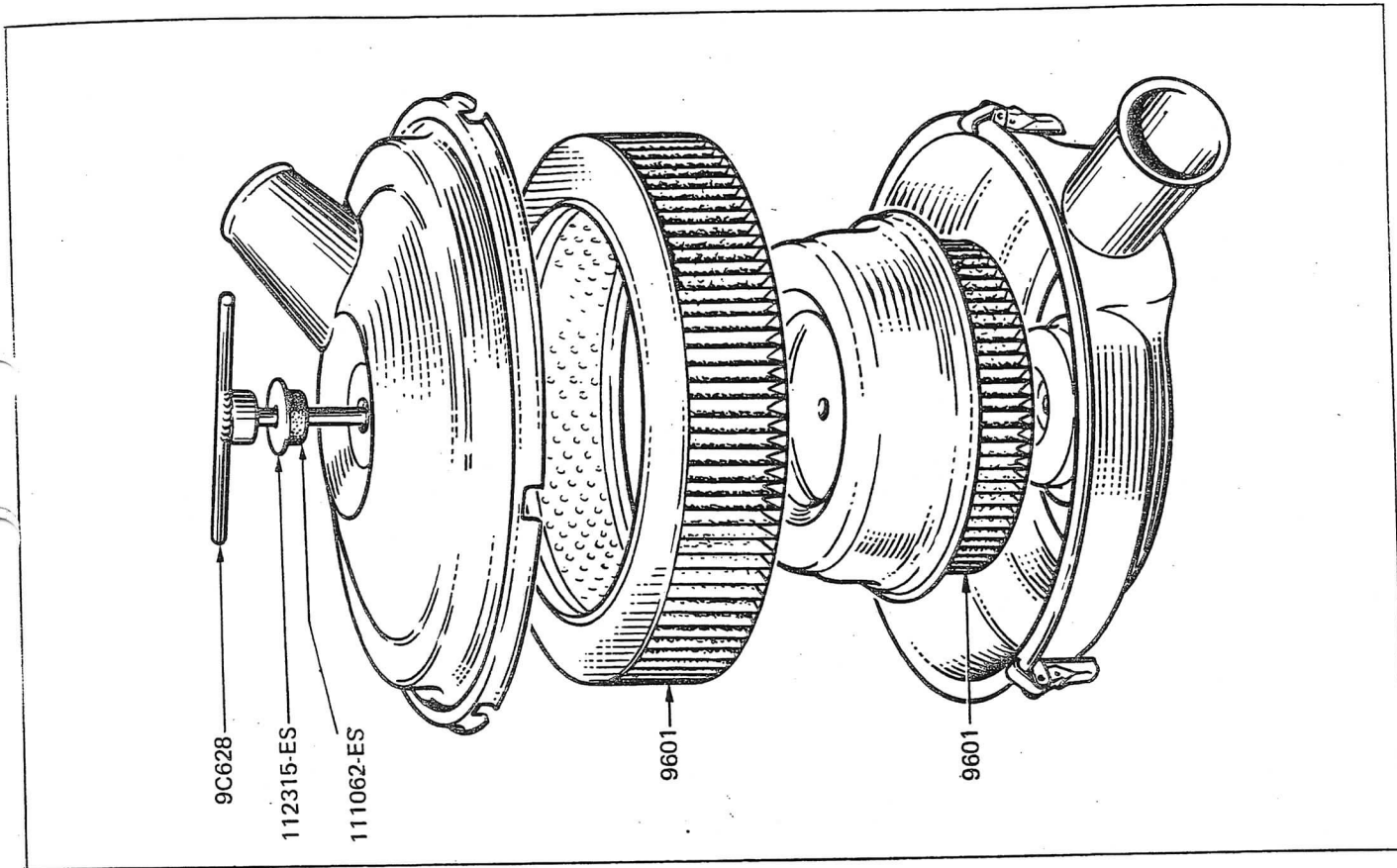


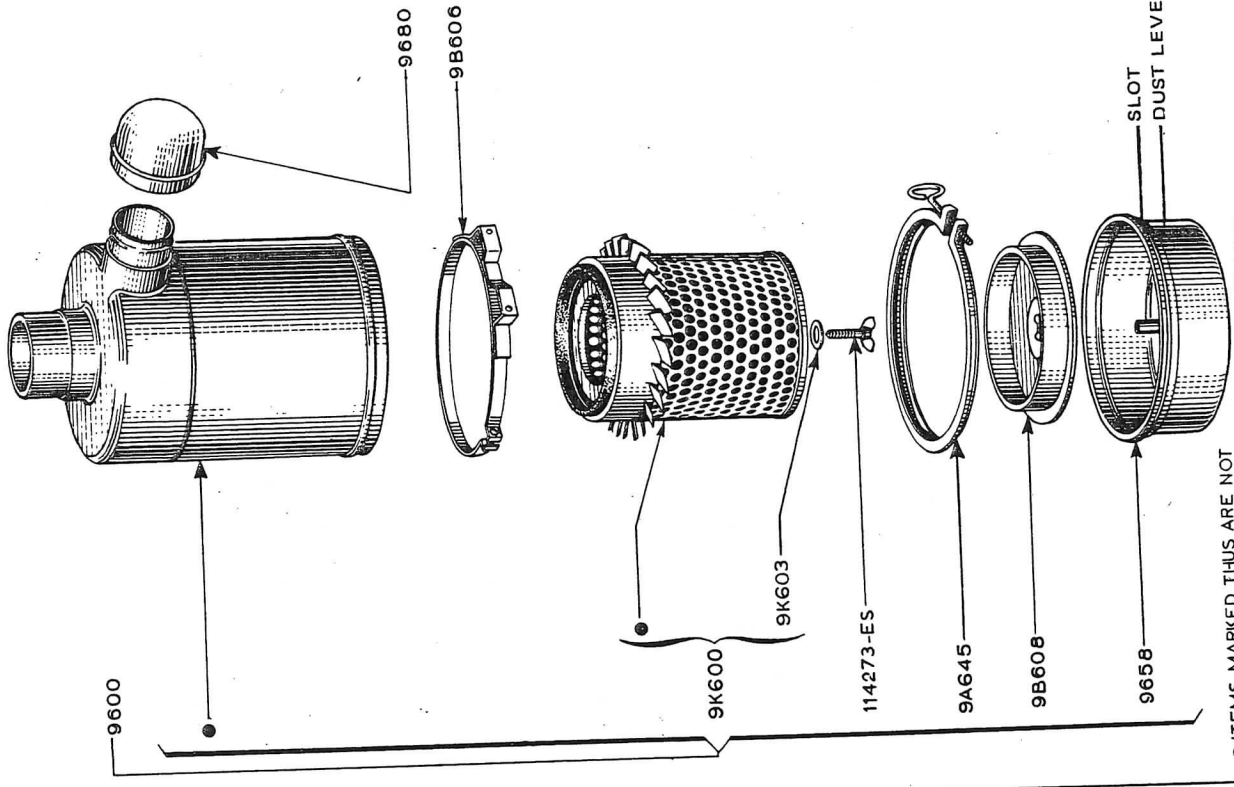


HORIZONTAL REAR OUTLET EXHAUST MANIFOLD - B AND C ENGINES



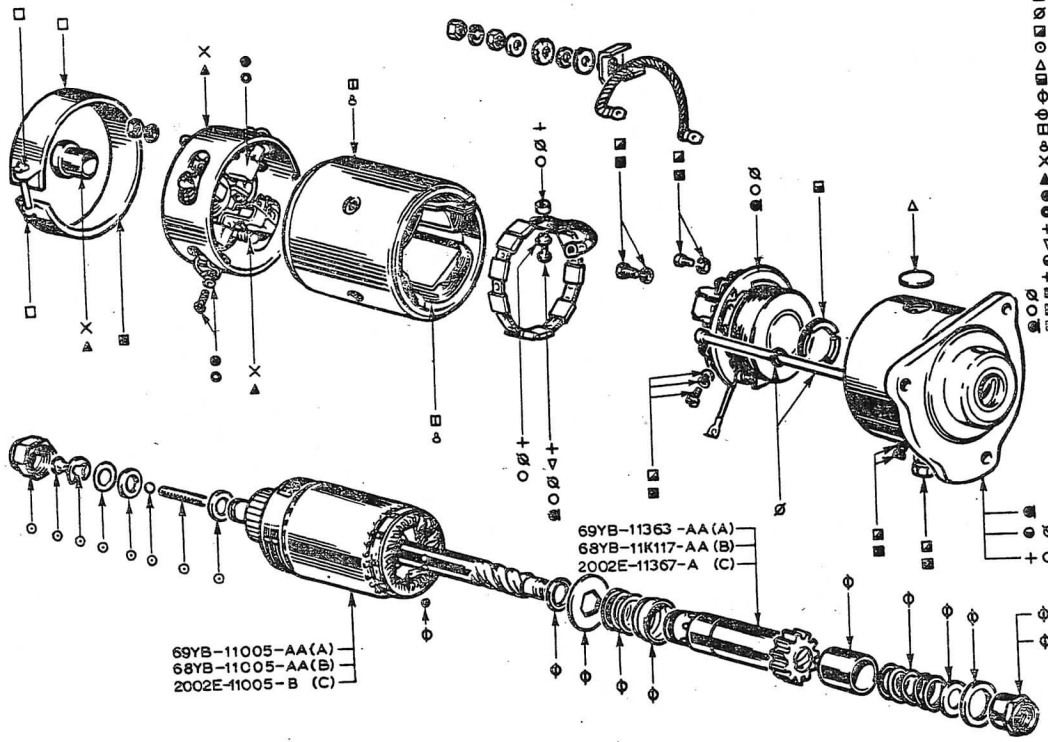






● ITEMS MARKED THUS ARE NOT SERVICED SEPARATELY. DEALER TO ORDER NEXT ASSY.

**REMOTE MOUNTED AIR CLEANER INSTALLATION-
A,B,C,
ENGINE**



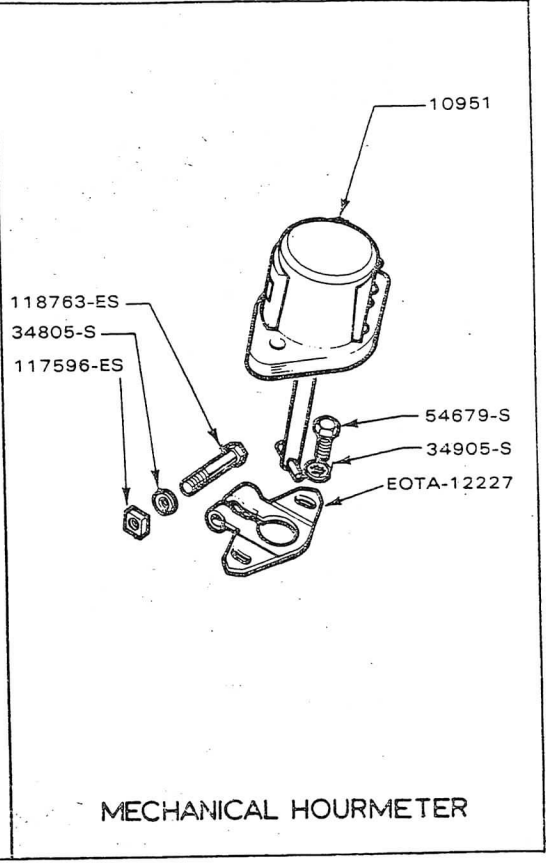
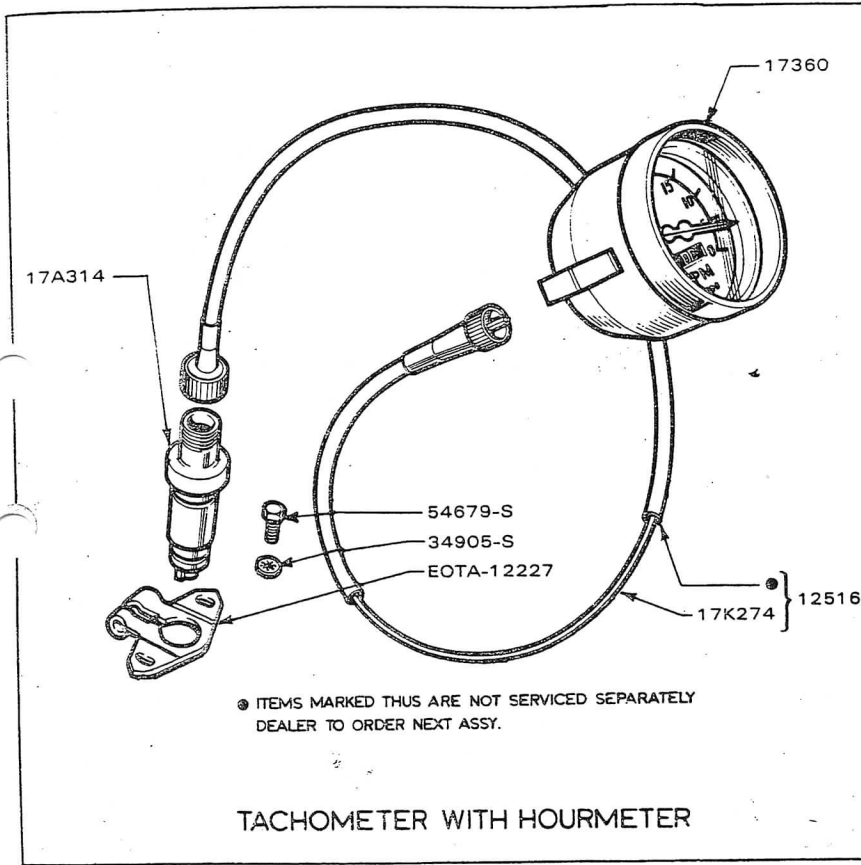
KIT PART NUMBER	A	B	C
□ 69YB-11K116-AA			
∅ 69YB-11K118-AA			
71YB-11K119-AA			
71YB-11K131-AA			
71YB-11K120-AA			
71YB-11K121-AA			
69YB-11K130-AA			
68YB-11K130-AA			
69YB-11K123-AA			
69DB-11K123-AA			
69YB-11K152-AA			
2002E-11049-AA			
71YB-11057-AA			
69DB-11057-AA			
+ 69YB-11A105-AA			
71DB-11A105-AA			
69YB-11K147-AA			
+ 68YB-11K147-AA			
69YB-11K146-AA			
68YB-11K146-AA			
69DB-11K146-AA			

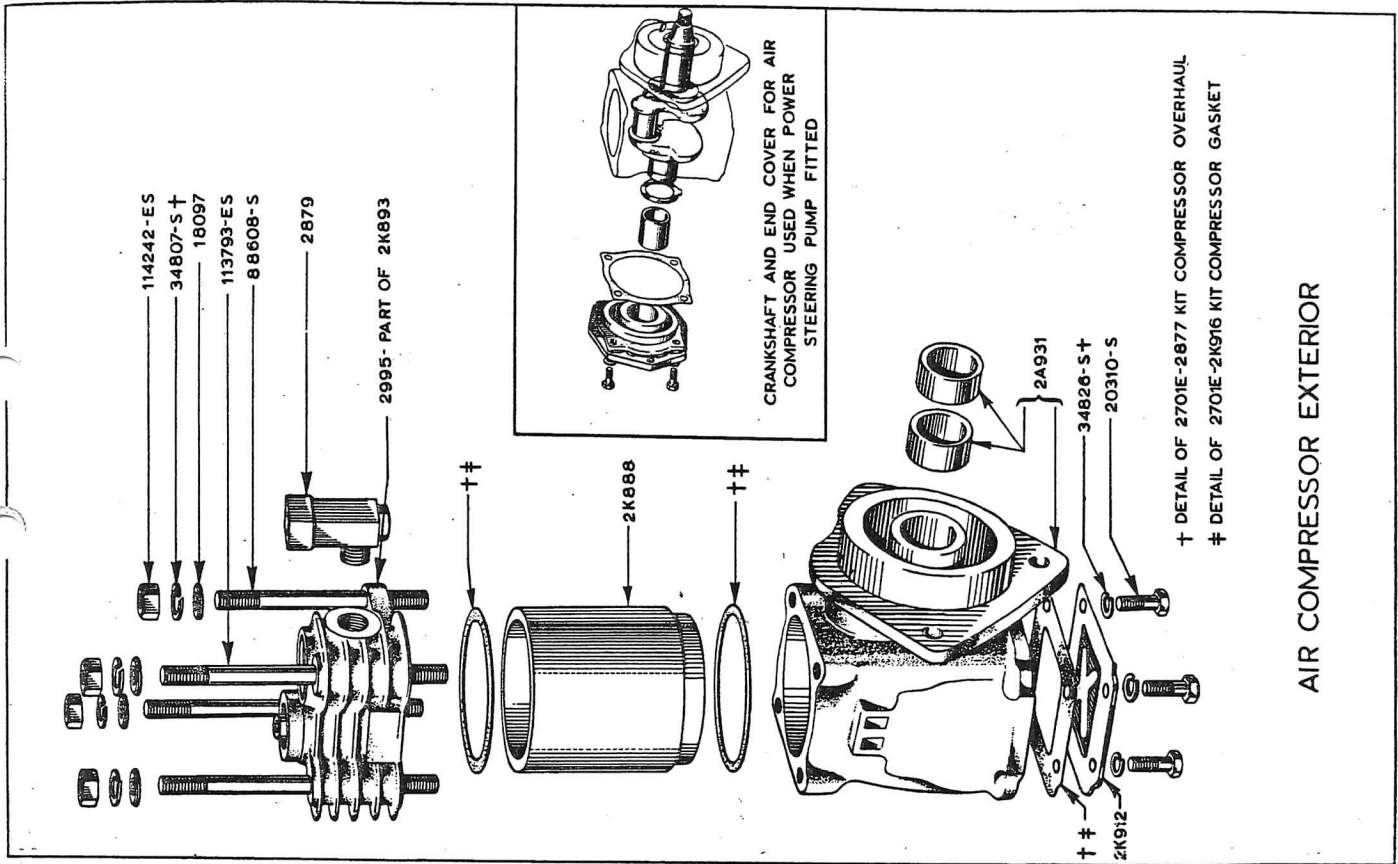
69YB-11005-AA (A)
 68YB-11005-AA (B)
 2002E-11005-B (C)

69YB-11363-AA (A)
 68YB-11K117-AA (B)
 2002E-11367-A (C)

φ (A & C)
 φ φ (B)

STARTER MOTORS (A) 69DB-11000-AA (B) 68YB-11000-AA (C) 2002E-11000-C.





AIR COMPRESSOR EXTERIOR

Fordorganisationer och distriktkontor utomlands

Ford-service kan erhållas i praktiskt taget varje land i världen. Service i varje land täcks av ett nät auktoriserade Fordåterförsäljare. Eftersom dessa är för många för att uppräknas nedan har vi begränsat följande lista till att omfatta Fordorganisationer utomlands tillsammans med distriktkontor samt de områden dessa tillser.

Fordföretags adresser

Ford Motor Argentina S.A.
Casilla Correo 696
Casilla Central
Buenos Aires, Argentina.

Ford Motor Company of Australia (PTY) Ltd.
Private Mail Bag 6
Campbellfield
Victoria 3061, Australia.

Ford Motor Co. (Austria) AG
Rainerstrasse 27
P.O. Box 2
5021 Salzburg, Austria.

Ford Motor Co. (Belgium) S.A.
Postbus 37
B-2030 Antwerp, Belgium.

Ford Willys Do Brazil S.A.
Caixa Postal 8610
Sao Paulo, Brazil.

Ford Motor Company of Canada Ltd.
National Parts Depot
8000 Dixie Road
Bramalea
Ontario, Canada.

Ford of Canada — Bermuda Co. Ltd.
Insurance Building
P.O. Box 1737
Hamilton, Bermuda.

Ford Motor Company A.S.
Sluseholmen 1
1450 Copenhagen S.V.
Denmark.

Henry Fordinkatu 6
P.O. Box 46
SF 00101 Helsinki 10
Finland.

Ford (France) S.A.
B.P. No. 90
92 Rueil-Malmaison
France.

Ford-Werke A.G.
5 Koln Meckenich
Industriestrasse, Germany.

Ford Italiana S.P.A.
Viale Pasteur No. 8/10
P.O. Box 10058
00144 Rome EUR
Italy.

Ford Motor Company of Japan
Checker Building
5-29 Akasaka 78 Chome
Minato-Ku,
Tokyo 107, Japan.

Ford Motor Company S.A.
Paseo de la Reforma 333
Apartado 39 Bis.
Mexico I.D.F. Mexico.

N.V. Nederlandsche Ford
Automobil Fabriek
Postbus 795
Amsterdam, Netherlands.

Ford Motor Co. of New Zealand
P.O. Box 30012
Lower Hutt
Wellington, New Zealand.

Ford Motor (Norge) A.S.
1410 Kolbotn
Norway.

Ford Philippines Incorporated
P.O. Box 415
Makati Commercial Center
Makati
Rizal D708
Philippines.

Ford Lusitana S.A.R.L.
Avenida de Serlin 4C
Apartado 2248
Lisboa 2, Portugal.

Ford Motor Company Privata Ltd.
Bukit Timah P.O. Box 4047
8 1/2 Milestone Bukit Timah Road
Singapore 21.

Ford Motor Company of South Africa (PTY) Ltd.
P.O. Box 788
Port Elizabeth, South Africa.

Ford Motor Company A/B
Fack
S102-50 Stockholm 27
Sweden.

Ford Motor Company (Switzerland) SA
Kurvenstrasse 35
CH 8021 Zurich, Switzerland.

Ford Lio Ho Motor Co. Ltd. (Taiwan)
P.O. Box 26-186
Taiwan ROC.

Ford Motor Co. (Thailand) Ltd.
G.P.O. Box 2701
Bangkok, Thailand.

Ford Motor Co. Ltd.
Industrial Products
Royal Oak Way South
Davenry,
Northants NN11 5NT, England.

Ford (Uruguay) S.A.
Casilla de Correo 296
Montevideo, Uruguay.

Ford Motor Company
Industrial Engine & Turbine Division
Engine & Foundry Division
23400 Michigan Avenue
Dearborn,
Michigan 48124, U.S.A.

Ford Motor de Venezuela S.A.
Apartado 354
Valencia, Venezuela.