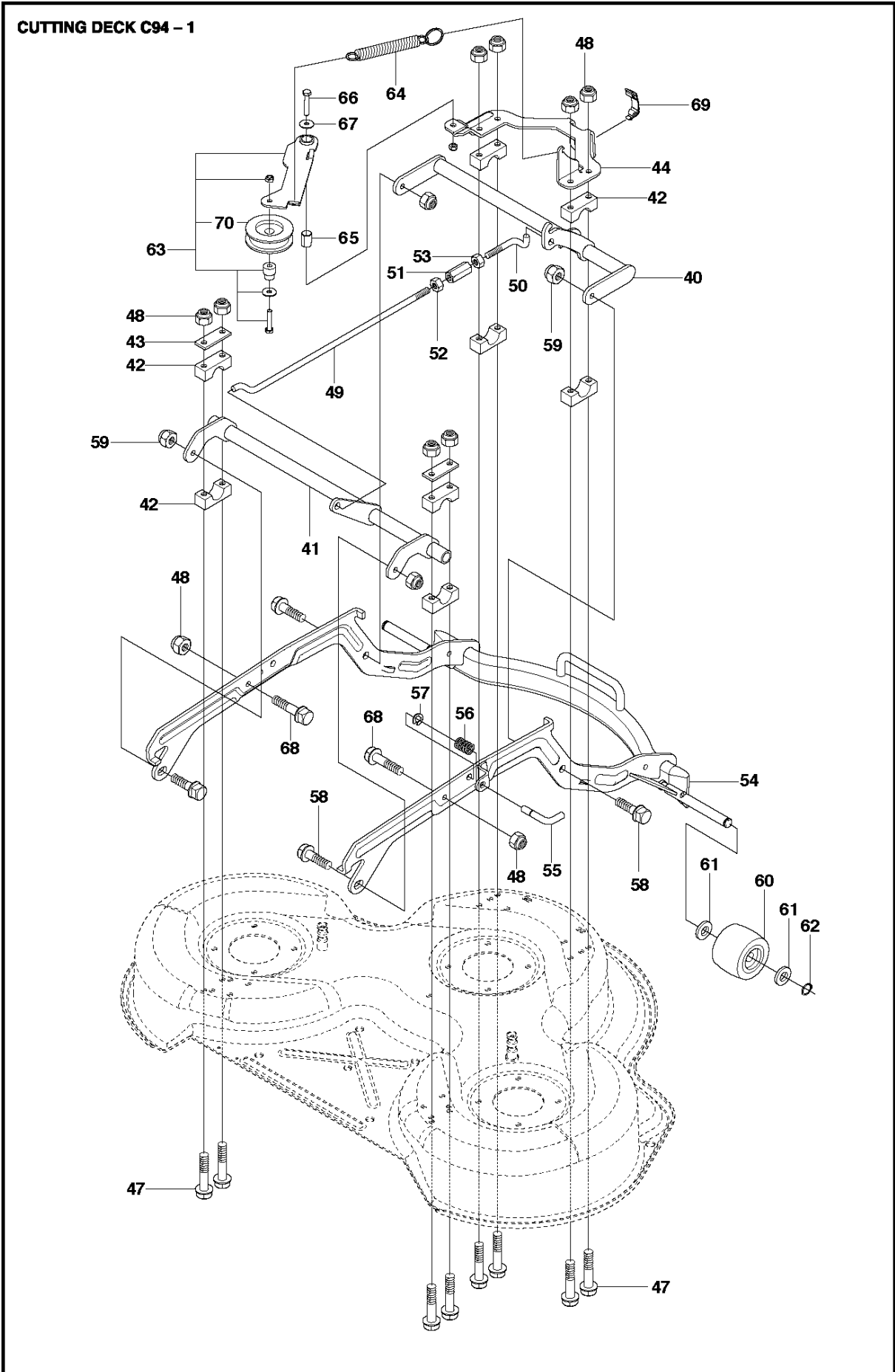




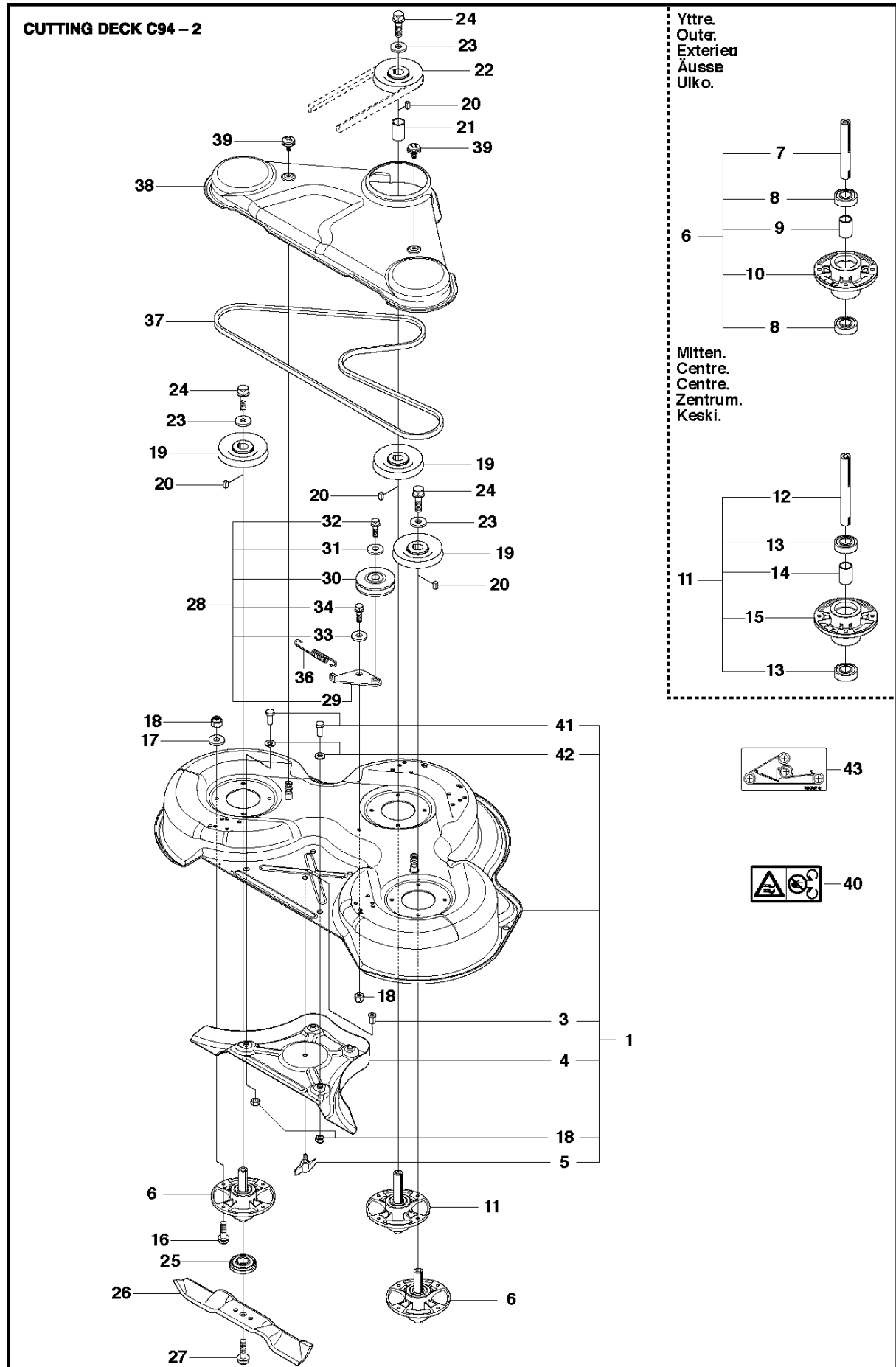
# SPARE PARTS LIST

FRONTRIDERS

FR2213 MA, 967294701, 2015



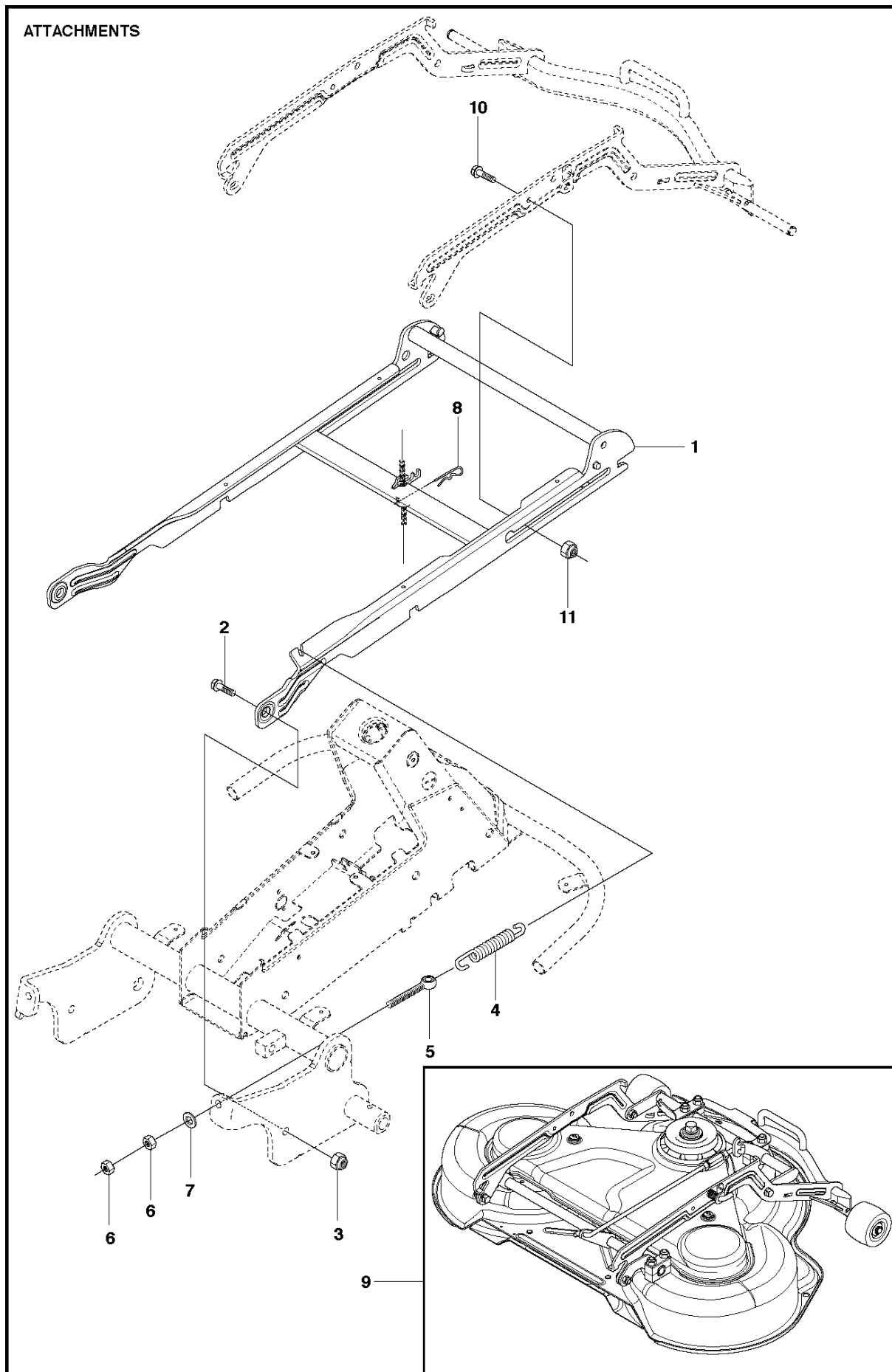
| Ref | Part No      | Description         | Remark | QTY | KIT |
|-----|--------------|---------------------|--------|-----|-----|
| 40  | 544 22 07-02 | CROSS BAR           |        | 1   |     |
| 41  | 584 95 20-02 | CROSSBAR            |        | 1   |     |
| 42  | 506 86 96-01 | BEARING             |        | 1   |     |
| 43  | 506 81 38-01 | REINFORCING PLATE   |        | 1   |     |
| 44  | 578 85 61-01 | BRACKET             |        | 1   |     |
| 47  | 725 24 61-51 | SCREW EHHM          |        | 3   |     |
| 48  | 732 21 18-01 | LOCK NUT            |        | 1   |     |
| 49  | 544 22 69-01 | PARALLEL ROD        |        | 1   |     |
| 50  | 544 45 14-01 | PARALLEL ROD        |        | 1   |     |
| 51  | 544 45 15-01 | ADJUSTMENT ROD      |        | 1   |     |
| 52  | 506 89 76-01 | NUT                 |        | 1   |     |
| 53  | 731 23 20-01 | HEXAGON NUT         |        | 1   |     |
| 54  | 578 17 78-02 | DECK ATTACHMENT     |        | 2   |     |
| 55  | 544 21 39-01 | LOCKING PIN         |        | 1   |     |
| 56  | 544 21 41-01 | SPRING              |        | 1   |     |
| 57  | 735 31 13-20 | E-CLIP              |        | 1   |     |
| 58  | 506 59 74-01 | SCREW               |        | 4   |     |
| 59  | 732 21 18-01 | LOCK NUT            |        | 12  |     |
| 60  | 506 96 30-01 | WHEEL ASSY          |        | 2   |     |
| 61  | 535 46 41-01 | WASHER              |        | 4   |     |
| 62  | 735 31 17-00 | CIRCLIP             |        | 2   |     |
| 63  | 587 41 52-01 | BELT TENSIONER ASSY |        | 1   |     |
| 64  | 506 97 68-01 | SPRING              |        | 1   |     |
| 65  | 506 99 20-01 | PIPE                |        | 1   |     |
| 66  | 725 24 60-51 | SCREW EHHM          |        | 1   |     |
| 67  | 734 11 64-41 | WASHER              |        | 1   |     |
| 68  | 544 36 24-01 | SCREW               |        | 2   |     |
| 69  | 503 89 47-02 | SNÄPPE              |        | 1   |     |
| 70  | 588 23 47-01 | PULLEY              |        | 1   | 63  |



## 94CM CUTTING DECK

FR2213 MA, 967294701, 2015

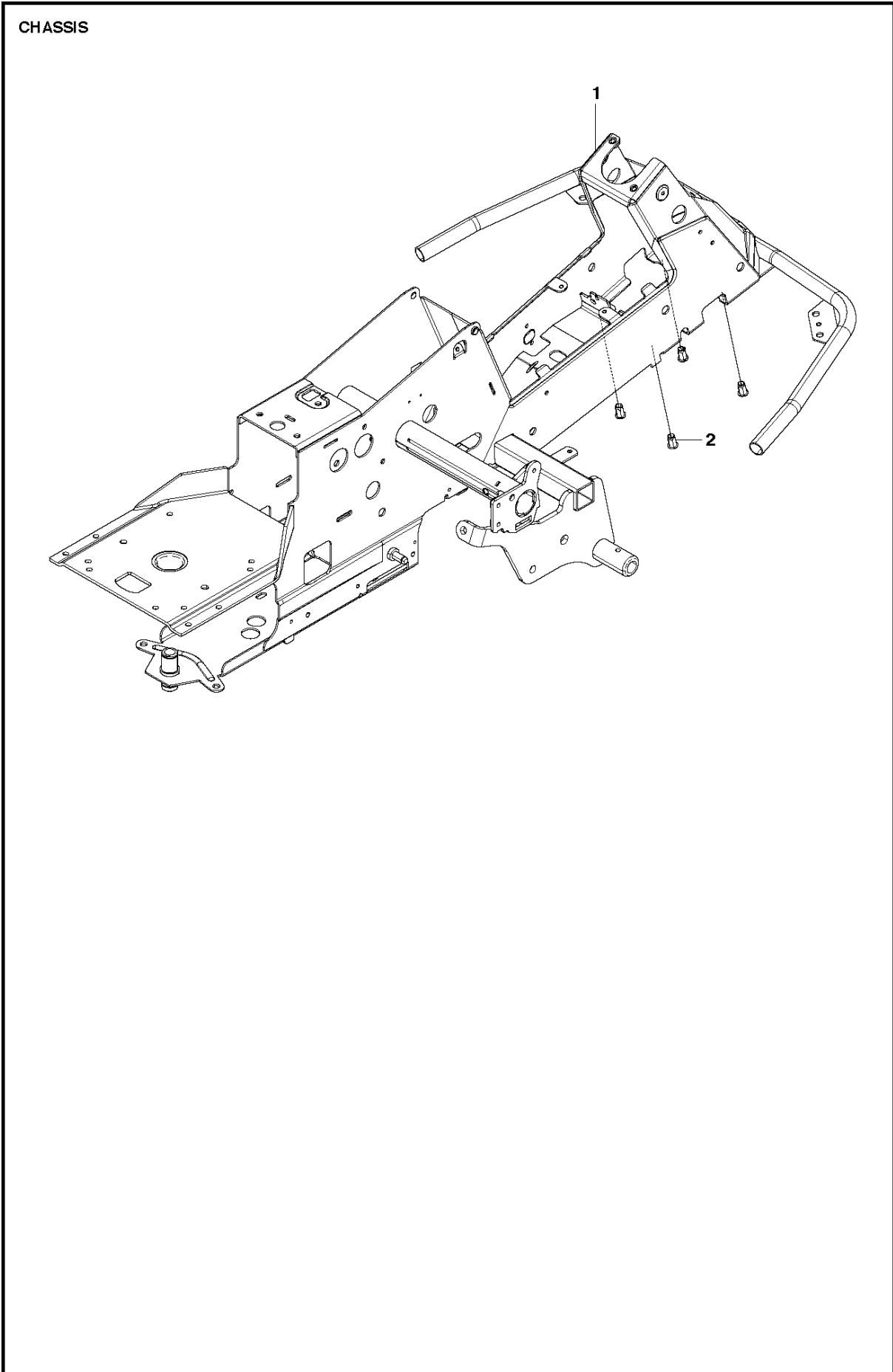
| Ref | Part No      | Description          | Remark | QTY | KIT |
|-----|--------------|----------------------|--------|-----|-----|
| 1   | 581 23 74-08 | DECK SHELL ASSY      |        | 1   |     |
| 3   | 506 91 62-01 | BLIND RIVET NUT      |        | 1   | 1   |
| 4   | 544 06 58-01 | PLUG                 |        | 1   | 1   |
| 5   | 544 06 61-01 | KNOB                 |        | 1   | 1   |
| 6   | 576 38 41-02 | BLADE HOUSING ASSY   |        | 2   |     |
| 7   | 576 38 43-02 | SHAFT                |        | 1   | 6   |
| 8   | 738 23 04-34 | BALL BEARING         |        | 2   | 6   |
| 9   | 576 38 44-01 | SPACING SLEEVE       |        | 1   | 6   |
| 10  | 576 38 42-01 | BEARING HOUSING      |        | 1   | 6   |
| 11  | 576 38 41-03 | BLADE HOUSING ASSY   |        | 1   |     |
| 12  | 576 38 43-03 | SHAFT                |        | 1   | 11  |
| 13  | 738 23 04-34 | BALL BEARING         |        | 2   | 11  |
| 14  | 576 38 44-01 | SPACING SLEEVE       |        | 1   | 11  |
| 15  | 576 38 42-01 | BEARING HOUSING      |        | 1   | 11  |
| 16  | 535 42 38-01 | SCREW RSQM           |        | 12  |     |
| 17  | 734 11 64-01 | WASHER               |        | 12  |     |
| 18  | 732 21 18-01 | LOCK NUT             |        | 12  | 1   |
| 19  | 506 92 21-01 | PULLEY               |        | 3   |     |
| 20  | 506 53 35-01 | PARALLEL KEY         |        | 4   |     |
| 21  | 544 06 80-03 | SPACING SLEEVE       |        | 1   |     |
| 22  | 506 77 86-01 | PULLEY               |        | 1   |     |
| 23  | 734 11 74-41 | WASHER               |        | 3   |     |
| 24  | 506 67 54-02 | SCREW EHHFM          |        | 3   |     |
| 25  | 544 06 49-01 | BLADE BRACKET        |        | 3   |     |
| 26  | 579 65 25-10 | BLADE                |        | 3   |     |
| 27  | 506 67 54-02 | SCREW EHHFM          |        | 3   |     |
| 28  | 586 96 40-01 | BELT TENSIONER ASSY  |        | 1   |     |
| 29  | 580 79 42-01 | ARM                  |        | 1   | 28  |
| 30  | 581 86 46-01 | BELT TENSIONER WHEEL |        | 1   | 28  |
| 31  | 734 11 64-41 | WASHER               |        | 1   | 28  |
| 32  | 506 55 83-02 | SCREW EHHFT          |        | 1   | 28  |
| 33  | 586 49 67-01 | WASHER               |        | 1   |     |
| 34  | 725 64 53-01 | SCREW IHCSFM         |        | 1   |     |
| 36  | 506 53 31-01 | SPRING               |        | 1   |     |
| 37  | 505 20 86-01 | BELT                 |        | 1   |     |
| 38  | 522 82 19-04 | BELT COVER           |        | 1   |     |
| 39  | 544 40 05-01 | SCREW                |        | 2   |     |
| 40  | 574 51 00-01 | DECAL                |        | 2   |     |
| 41  | 725 24 51-71 | SCREW EHHM           |        | 3   | 1   |
| 42  | 734 11 64-01 | WASHER               |        | 3   | 1   |
| 43  | 506 78 97-01 | LABEL                |        | 1   |     |



## ATTACHMENTS

FR2213 MA, 967294701, 2015

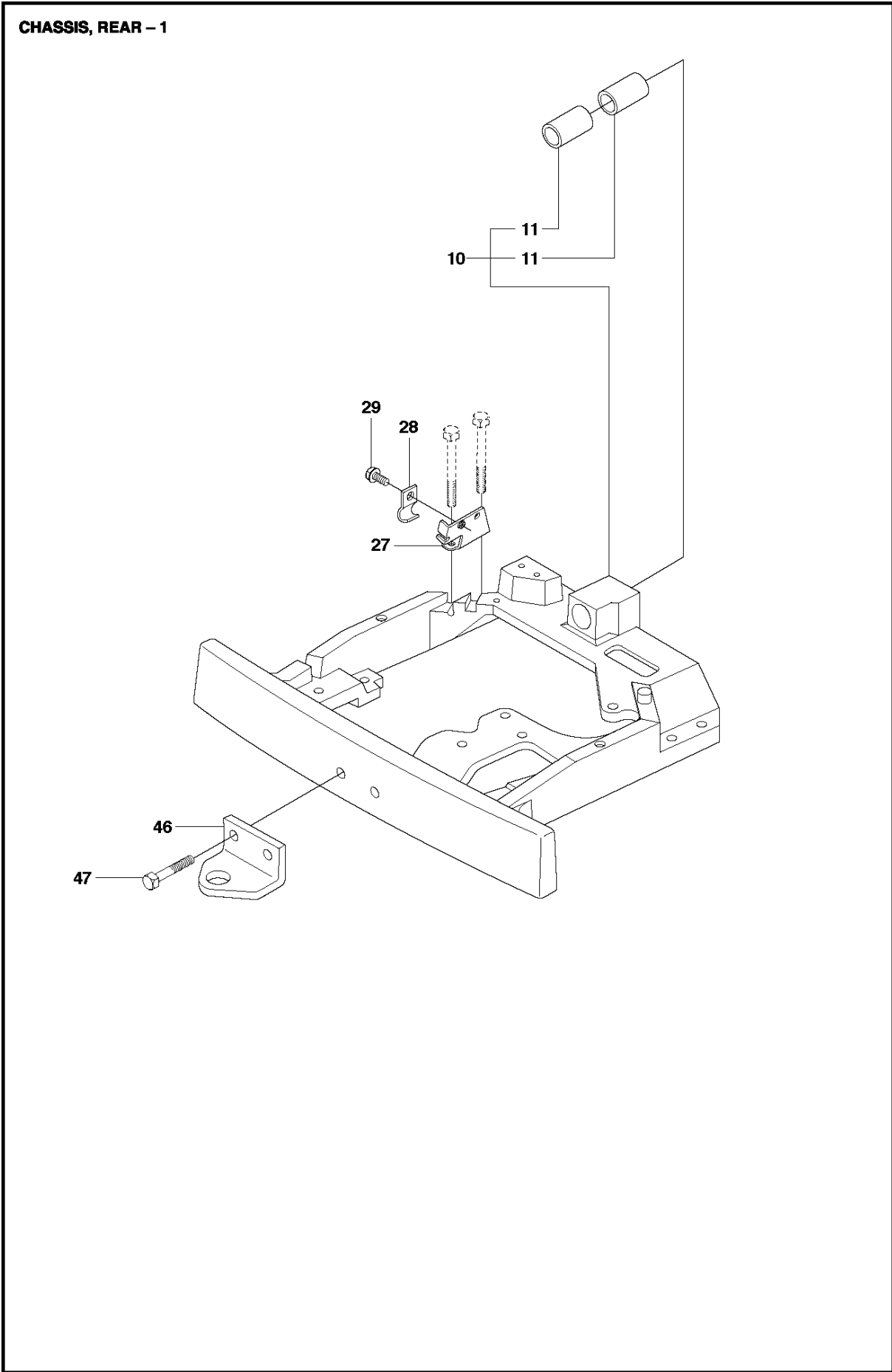
| Ref | Part No      | Description         | Remark | QTY KIT |
|-----|--------------|---------------------|--------|---------|
| 1   | 578 17 74-02 | EQUIPMENT FRAME     |        | 1       |
| 2   | 506 89 58-01 | COLLAR SCREW        |        | 2       |
| 3   | 732 25 22-01 | HEXAGON LOCKING NUT |        | 2       |
| 4   | 506 83 76-01 | SPRING              |        | 2       |
| 5   | 506 83 77-01 | RING BOLT           |        | 2       |
| 6   | 731 23 20-51 | HEXAGON NUT         |        | 4       |
| 7   | 734 11 72-01 | WASHER              |        | 2       |
| 8   | 506 96 66-01 | HAIR PIN COTTER     |        | 1       |
| 9   | 586 97 77-01 | CUTTING DECK        |        | 1       |
| 10  | 544 36 24-01 | SCREW               |        | 2       |
| 11  | 732 21 18-01 | LOCK NUT            |        | 2       |



CHASSIS & ENCLOSURES

FR2213 MA, 967294701, 2015

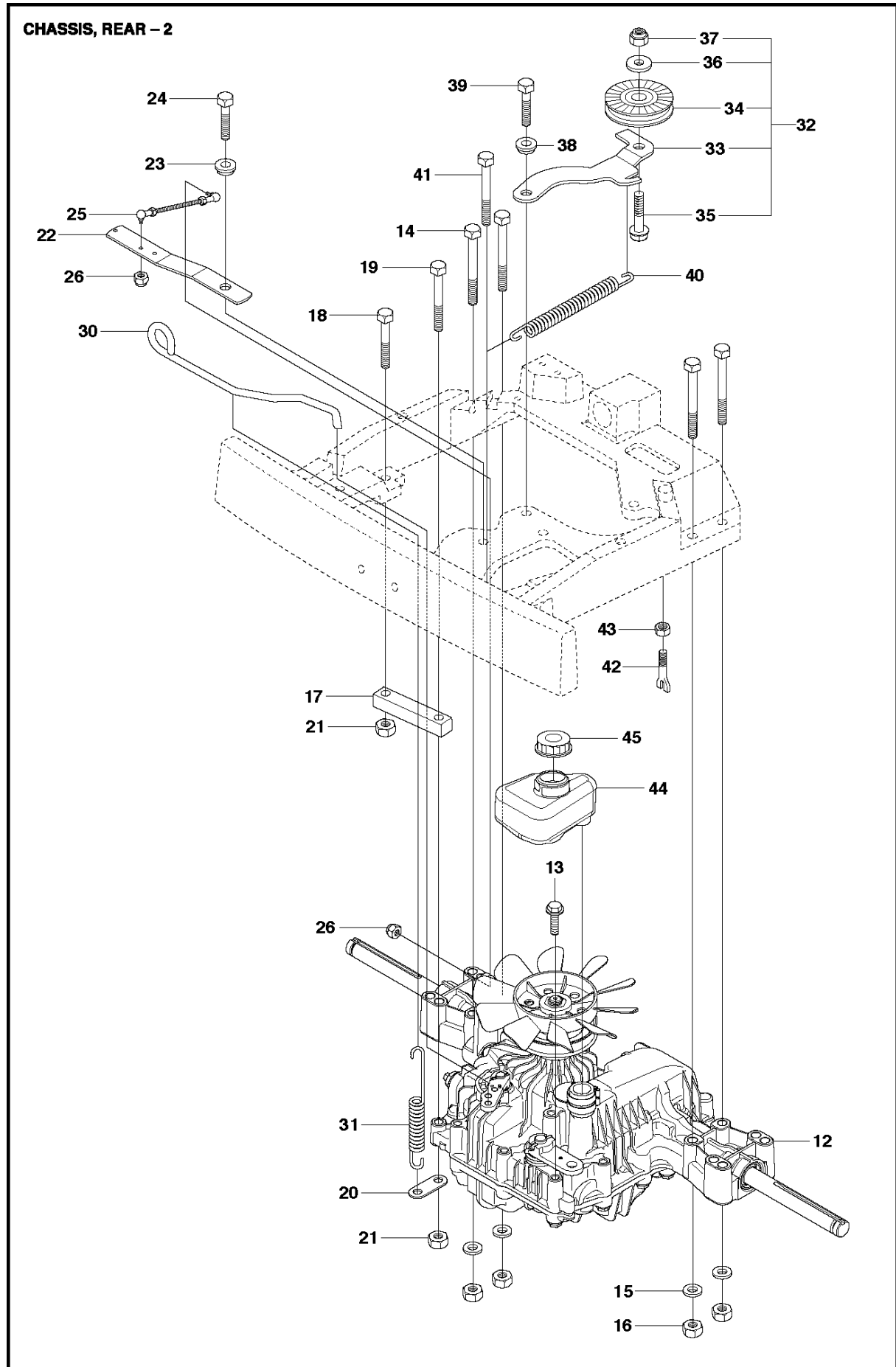
| Ref | Part No      | Description | Remark | QTY KIT |
|-----|--------------|-------------|--------|---------|
| 1   | 577 93 90-02 | CHASSIS     |        | 1       |



## CHASSIS REAR

FR2213 MA, 967294701, 2015

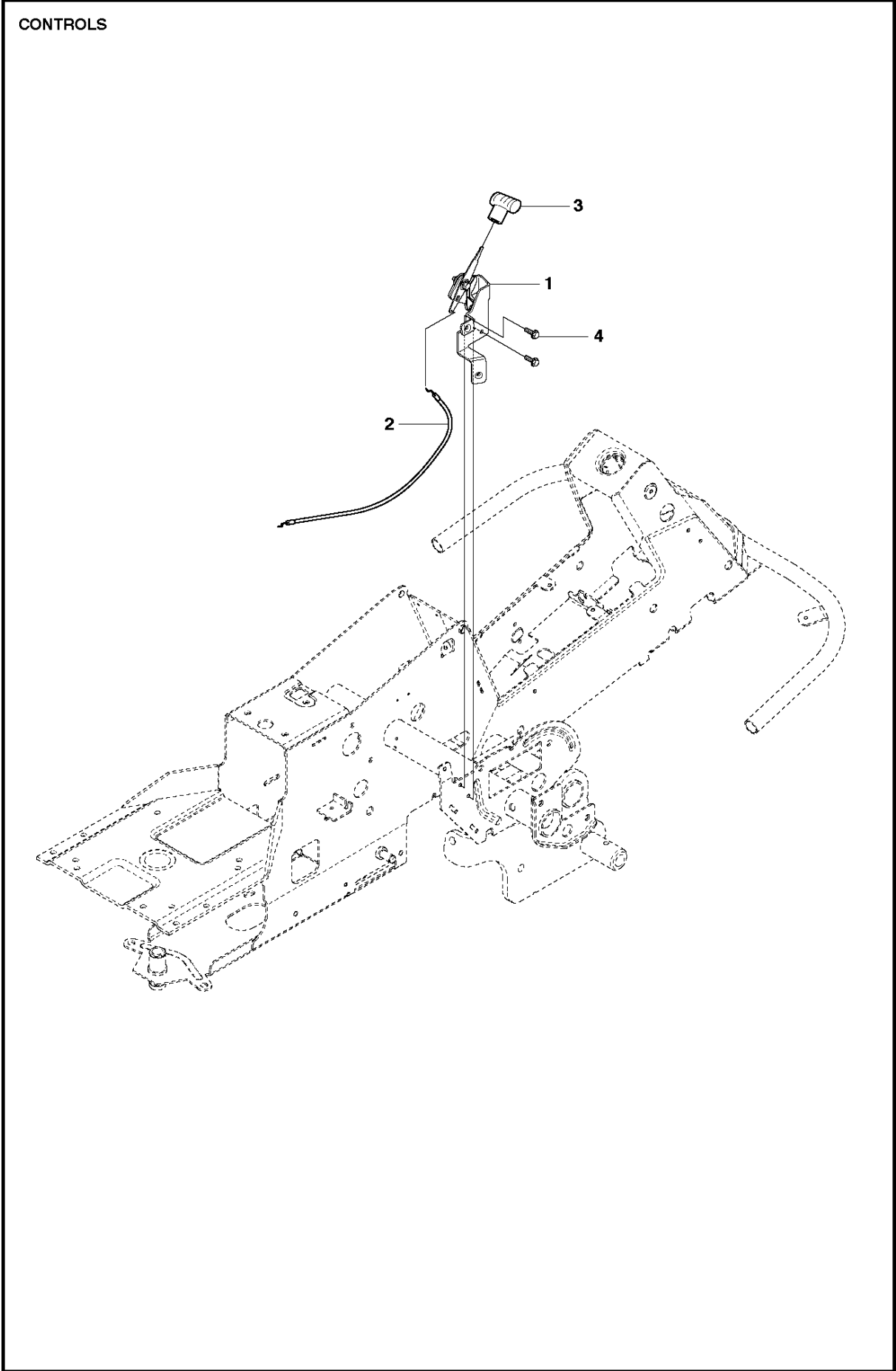
| Ref | Part No      | Description | Remark | QTY | KIT |
|-----|--------------|-------------|--------|-----|-----|
| 10  | 535 40 60-02 | BRACKET     |        | 1   |     |
| 11  | 506 98 61-02 | GLIDLAGER   |        | 2   | 10  |
| 27  | 506 98 77-01 | BRACKET     |        | 1   |     |
| 28  | 506 56 65-01 | CLIP        |        | 1   |     |
| 29  | 725 23 64-61 | SCREW EHHFT |        | 1   |     |
| 46  | 506 88 99-01 | HITCH       |        | 1   |     |
| 47  | 725 24 93-71 | SCREW EHHM  |        | 2   |     |



## CHASSIS REAR

FR2213 MA, 967294701, 2015

| Ref | Part No      | Description          | Remark | QTY | KIT |
|-----|--------------|----------------------|--------|-----|-----|
| 12  | 506 98 63-01 | TRANSMISSION         |        | 1   |     |
| 13  | 506 55 83-02 | SCREW EHHFT          |        | 1   |     |
| 14  | 725 24 67-51 | SCREW EHHM           |        | 4   |     |
| 15  | 734 11 64-01 | WASHER               |        | 4   |     |
| 16  | 731 23 18-01 | HEXAGON NUT          |        | 4   |     |
| 17  | 506 98 72-01 | MOMENTFÄSTE          |        | 1   |     |
| 18  | 725 24 59-51 | SCREW EHHM           |        | 1   |     |
| 19  | 725 24 62-51 | SCREW EHHM           |        | 1   |     |
| 20  | 506 59 93-01 | LINK                 |        | 1   |     |
| 21  | 731 23 18-01 | HEXAGON NUT          |        | 2   |     |
| 22  | 506 98 74-03 | LEVER                |        | 1   |     |
| 23  | 506 91 87-02 | WASHER               |        | 1   |     |
| 24  | 725 24 51-51 | SCREW                |        | 1   |     |
| 25  | 506 98 75-01 | ADJUSTMENT ROD       |        | 1   |     |
| 26  | 732 21 14-01 | LOCK NUT             |        | 2   |     |
| 30  | 506 98 82-01 | FRIKOPPLINGSSTÅNG    |        | 1   |     |
| 31  | 506 83 43-01 | SPRING               |        | 1   |     |
| 32  | 506 98 84-01 | BELT TENSIONER ASSY  |        | 1   | 32  |
| 33  | 506 98 85-01 | BELT TENSIONER       |        | 1   | 32  |
| 34  | 506 94 69-01 | BELT TENS WHEEL ASSY |        | 1   | 32  |
| 35  | 725 24 55-51 | SCREW                |        | 1   | 32  |
| 36  | 734 11 64-41 | WASHER               |        | 1   | 32  |
| 37  | 732 21 18-01 | LOCK NUT             |        | 1   |     |
| 38  | 506 91 87-02 | WASHER               |        | 1   |     |
| 39  | 725 24 51-51 | SCREW                |        | 1   |     |
| 40  | 506 98 86-01 | SPRING               |        | 1   |     |
| 41  | 725 24 64-51 | SCREW EHHM           |        | 1   |     |
| 42  | 506 98 88-01 | PENDULUM             |        | 1   |     |
| 43  | 731 23 20-51 | HEXAGON NUT          |        | 1   |     |
| 44  | 506 98 90-01 | EXPANSION TANK       |        | 1   |     |
| 45  | 506 98 80-01 | TANK CAP ASSY        |        | 1   |     |

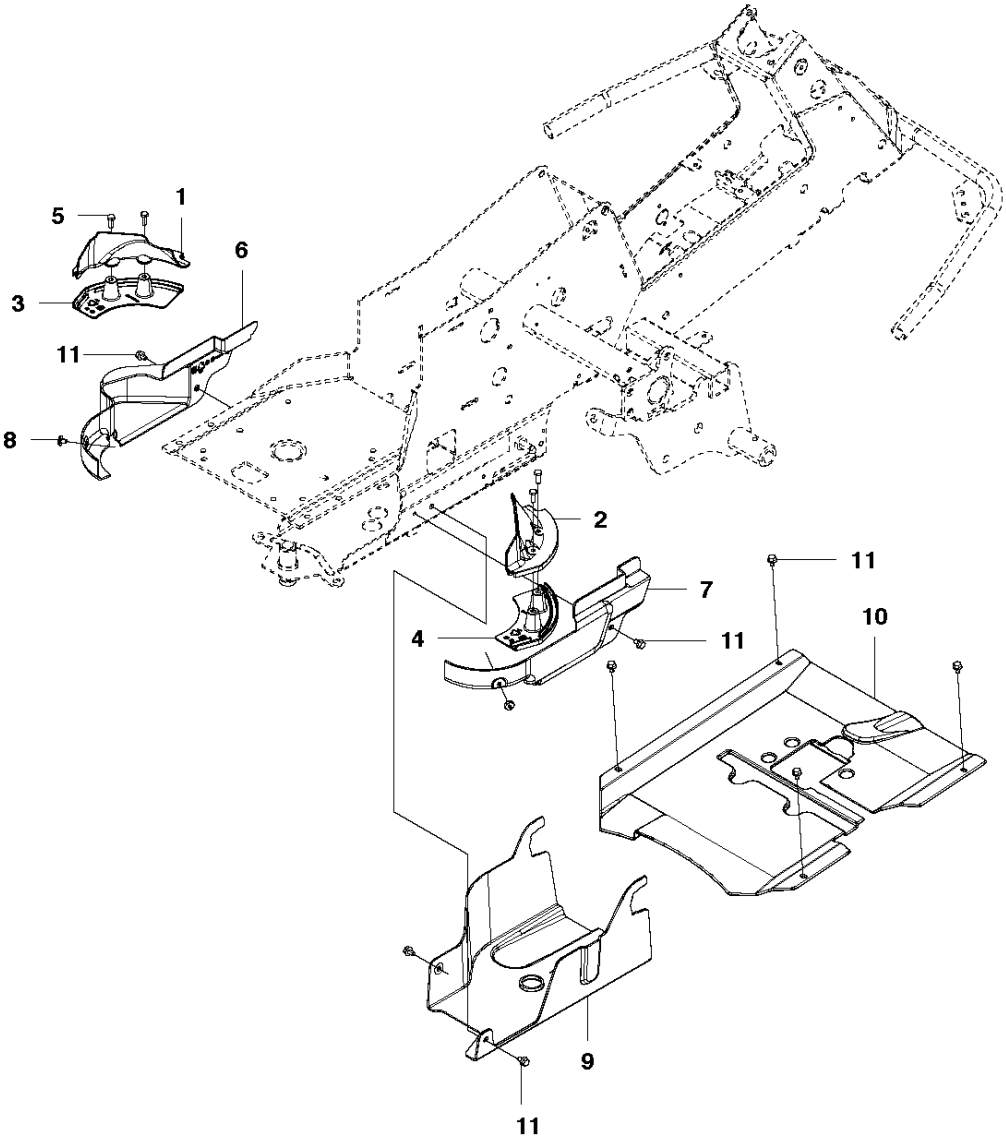


CONTROLS

FR2213 MA, 967294701, 2015

| Ref | Part No      | Description      | Remark | QTY KIT |
|-----|--------------|------------------|--------|---------|
| 1   | 502 29 56-01 | THROTTLE CONTROL |        | 1       |
| 2   | 544 30 17-01 | WIRE             |        | 1       |
| 3   | 506 88 91-01 | KNOB             |        | 1       |
| 4   | 725 23 64-61 | SCREW EHHFT      |        | 2       |

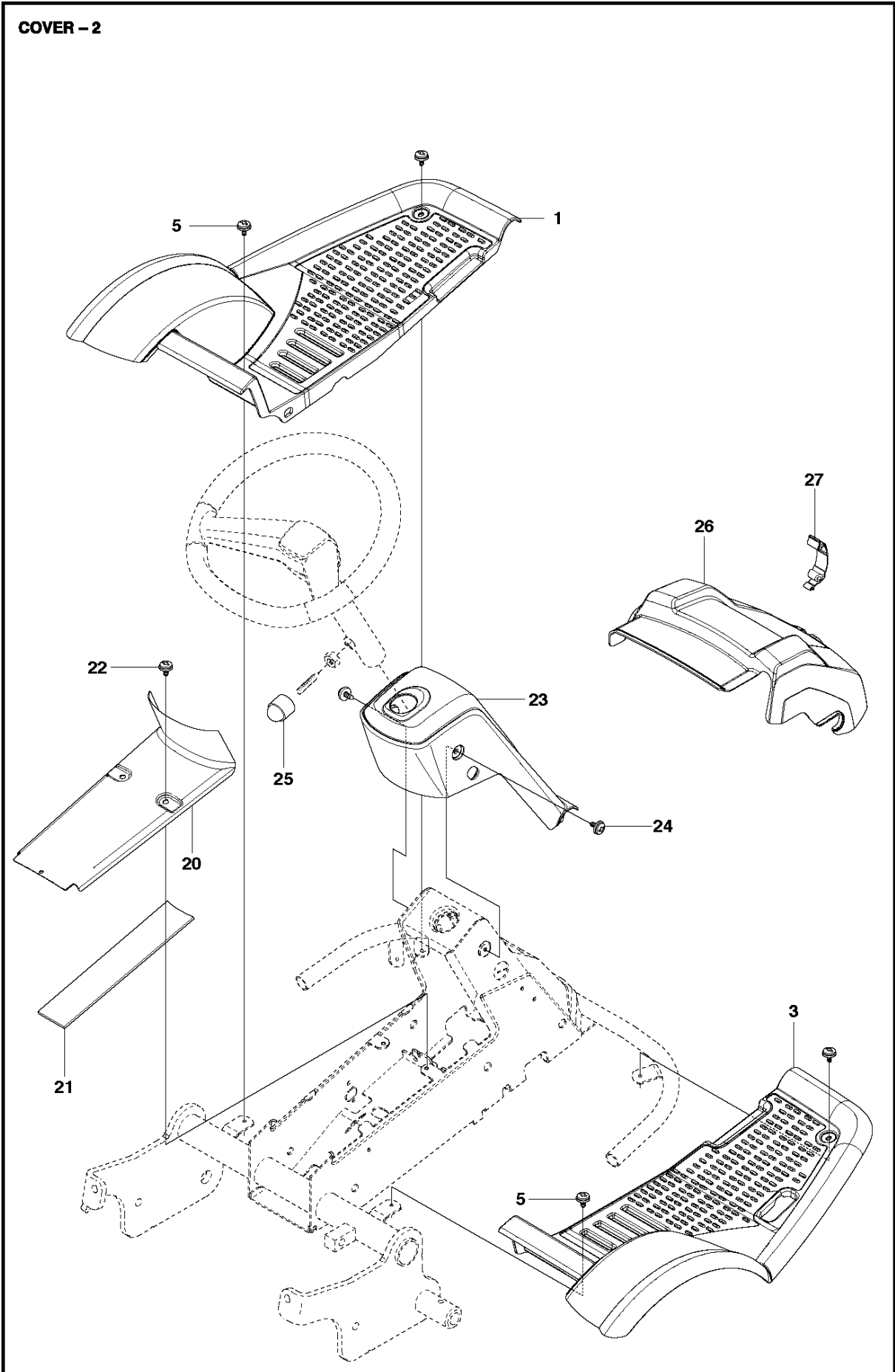
COVER - 4



## COVER

FR2213 MA, 967294701, 2015

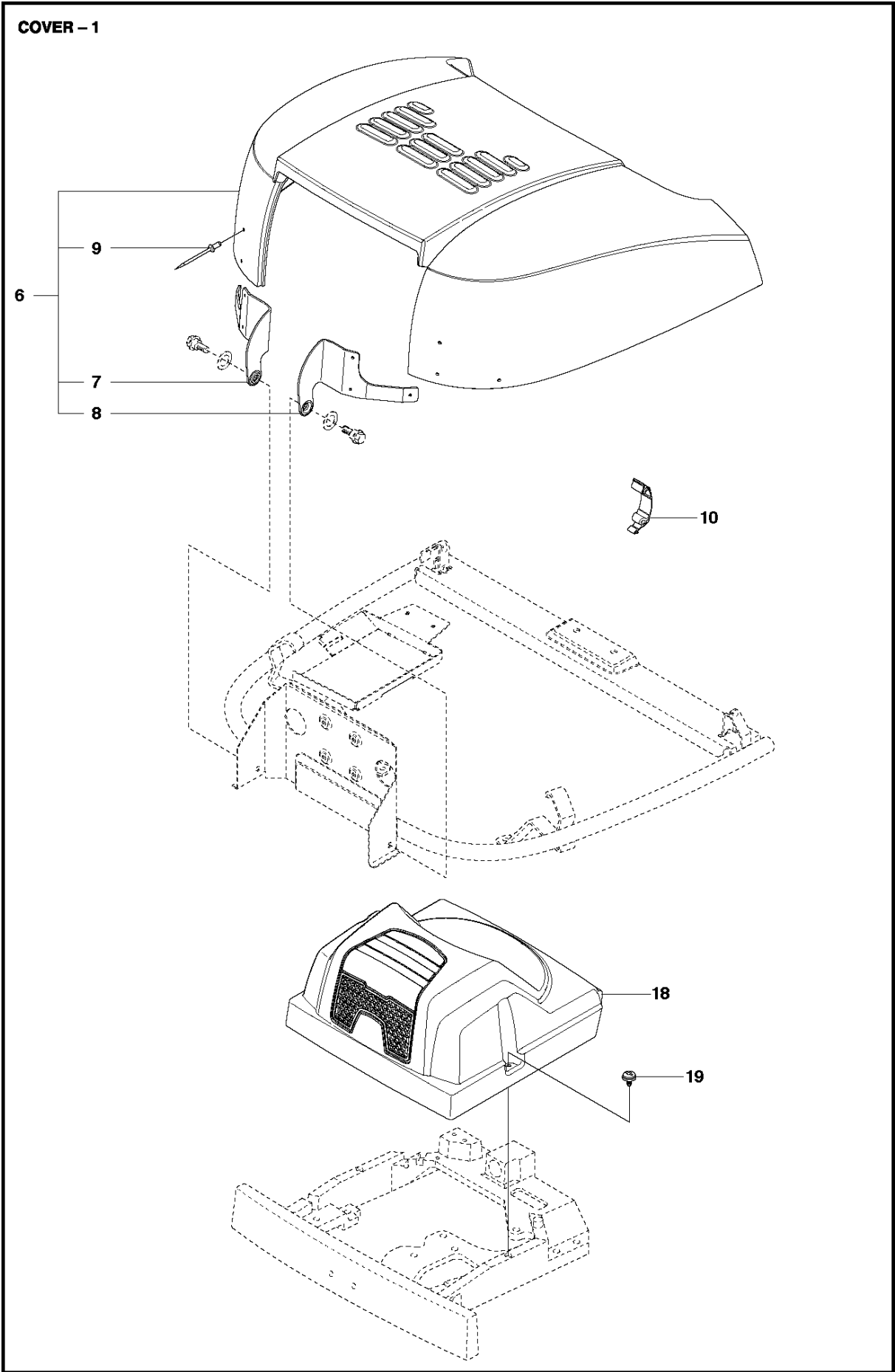
| Ref | Part No      | Description | Remark | QTY KIT |
|-----|--------------|-------------|--------|---------|
| 1   | 510 22 25-03 | BELT COVER  |        | 1       |
| 2   | 510 22 25-04 | BELT COVER  |        | 1       |
| 3   | 510 22 27-03 | BELT COVER  |        | 1       |
| 4   | 510 22 27-04 | BELT COVER  |        | 1       |
| 5   | 725 23 68-61 | SCREW EHHFT |        | 4       |
| 6   | 510 22 23-04 | BELT COVER  |        | 1       |
| 7   | 510 22 24-02 | BELT COVER  |        | 1       |
| 8   | 522 55 73-01 | SCREW       |        | 2       |
| 9   | 510 44 20-02 | BELT COVER  |        | 1       |
| 10  | 510 43 62-04 | BELT COVER  |        | 1       |
| 11  | 725 23 64-61 | SCREW EHHFT |        | 8       |



## COVER

FR2213 MA, 967294701, 2015

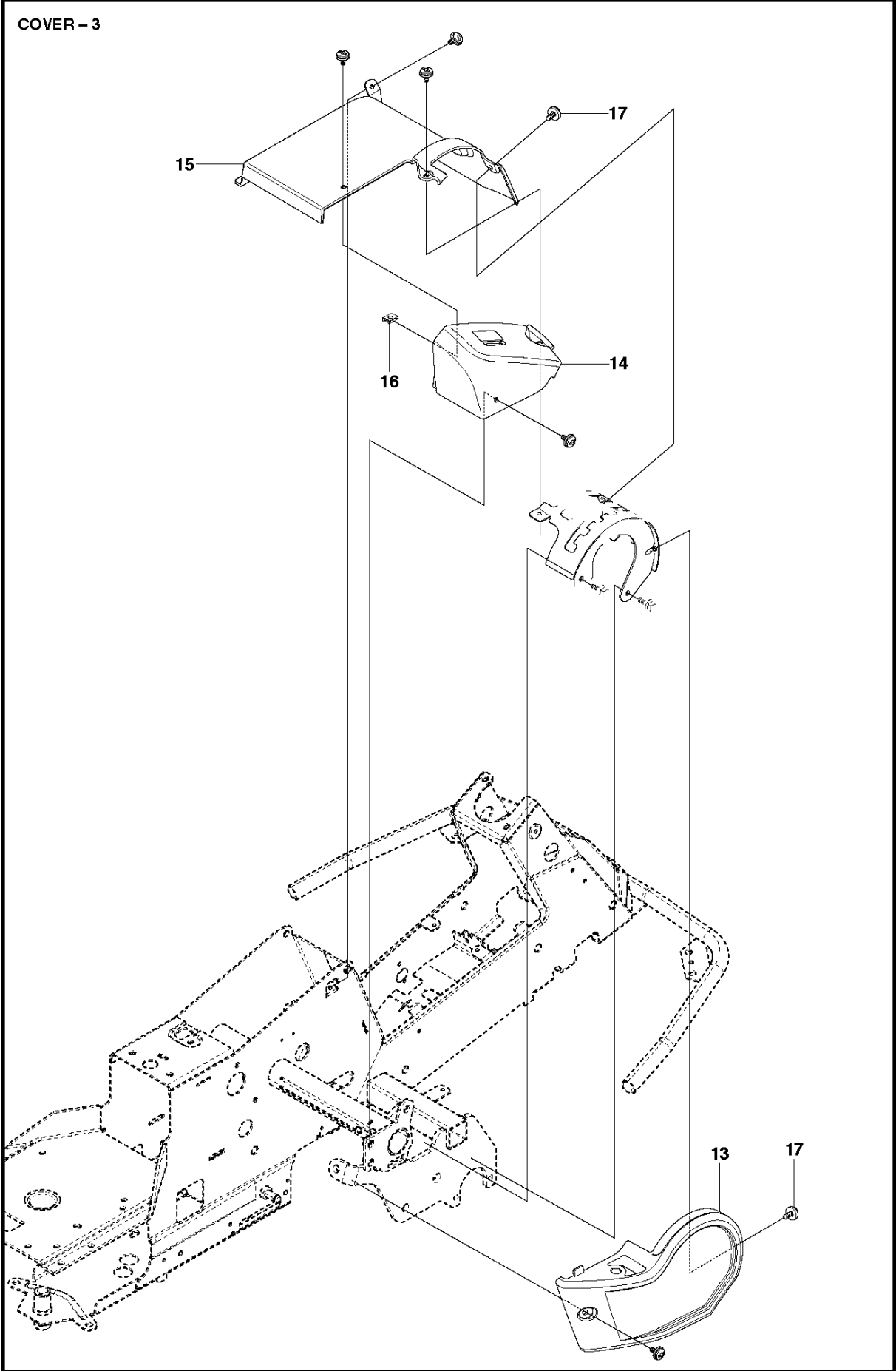
| Ref | Part No      | Description      | Remark | QTY KIT |
|-----|--------------|------------------|--------|---------|
| 1   | 578 23 31-01 | FOOT PLATE       |        | 1       |
| 3   | 578 23 32-01 | FOOT PLATE       |        | 1       |
| 5   | 544 40 05-01 | SCREW            |        | 4       |
| 20  | 544 23 92-02 | COVER            |        | 1       |
| 21  | 544 42 75-01 | MAT              |        | 1       |
| 22  | 544 40 05-01 | SCREW            |        | 2       |
| 23  | 504 06 01-01 | COVER            |        | 1       |
| 24  | 544 40 05-01 | SCREW            |        | 2       |
| 25  | 544 43 32-02 | PROTECTIVE COVER |        | 1       |
| 26  | 578 77 63-02 | UNIT COVER       |        | 1       |
| 27  | 503 89 47-02 | SNÄPPE           |        | 1       |



## COVER

FR2213 MA, 967294701, 2015

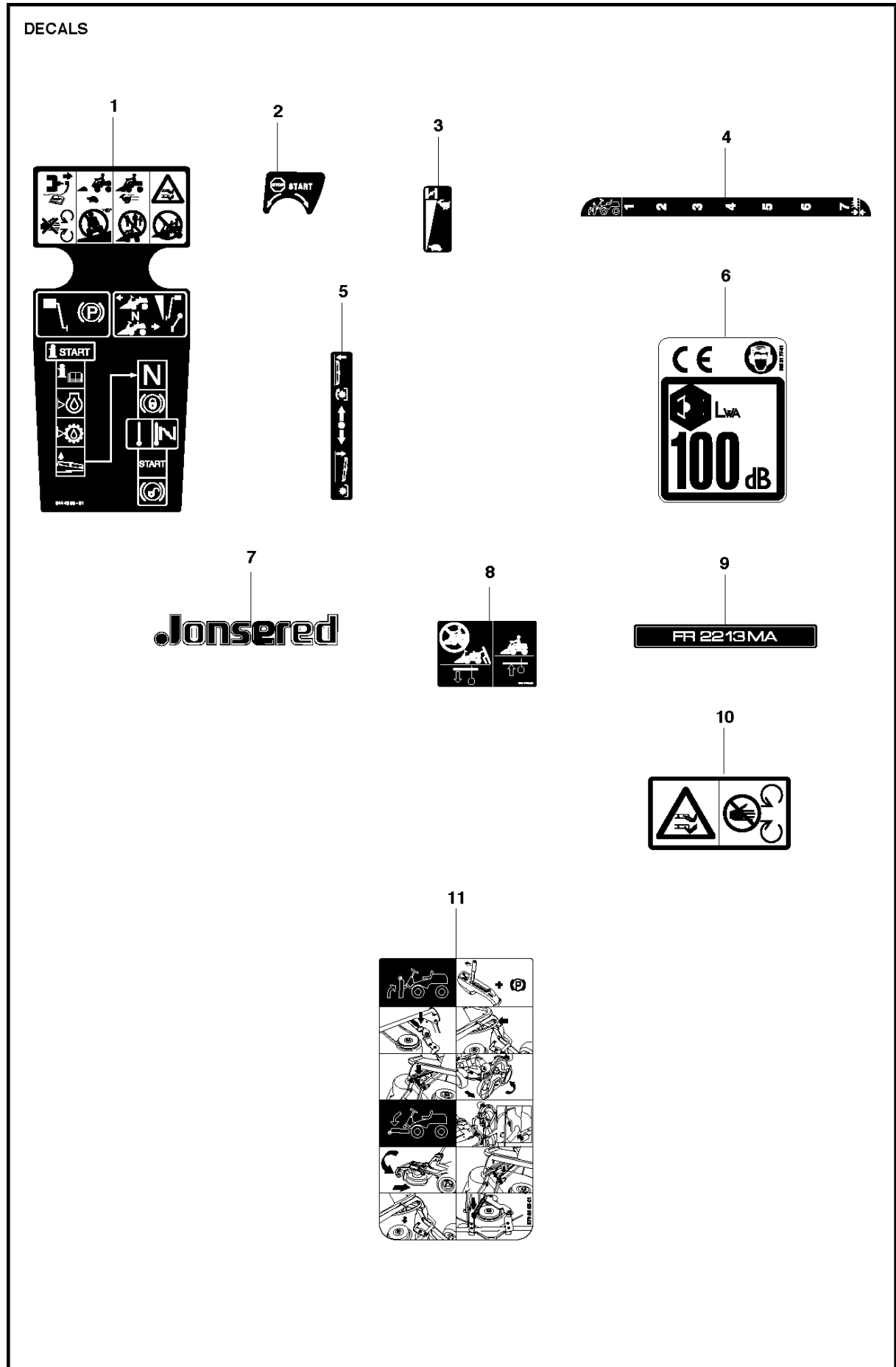
| Ref | Part No      | Description      | Remark | QTY | KIT |
|-----|--------------|------------------|--------|-----|-----|
| 6   | 535 41 90-04 | ENGINE HOOD ASSY |        | 1   |     |
| 7   | 535 41 99-01 | HINGE            |        | 1   | 6   |
| 8   | 535 41 99-02 | HINGE            |        | 1   | 6   |
| 9   | 722 79 54-02 | RIVET            |        | 6   | 6   |
| 10  | 503 89 47-02 | SNÄPPE           |        | 1   |     |
| 18  | 574 85 61-02 | COVER            |        | 1   |     |
| 19  | 544 40 05-01 | SCREW            |        | 2   |     |



## COVER

FR2213 MA, 967294701, 2015

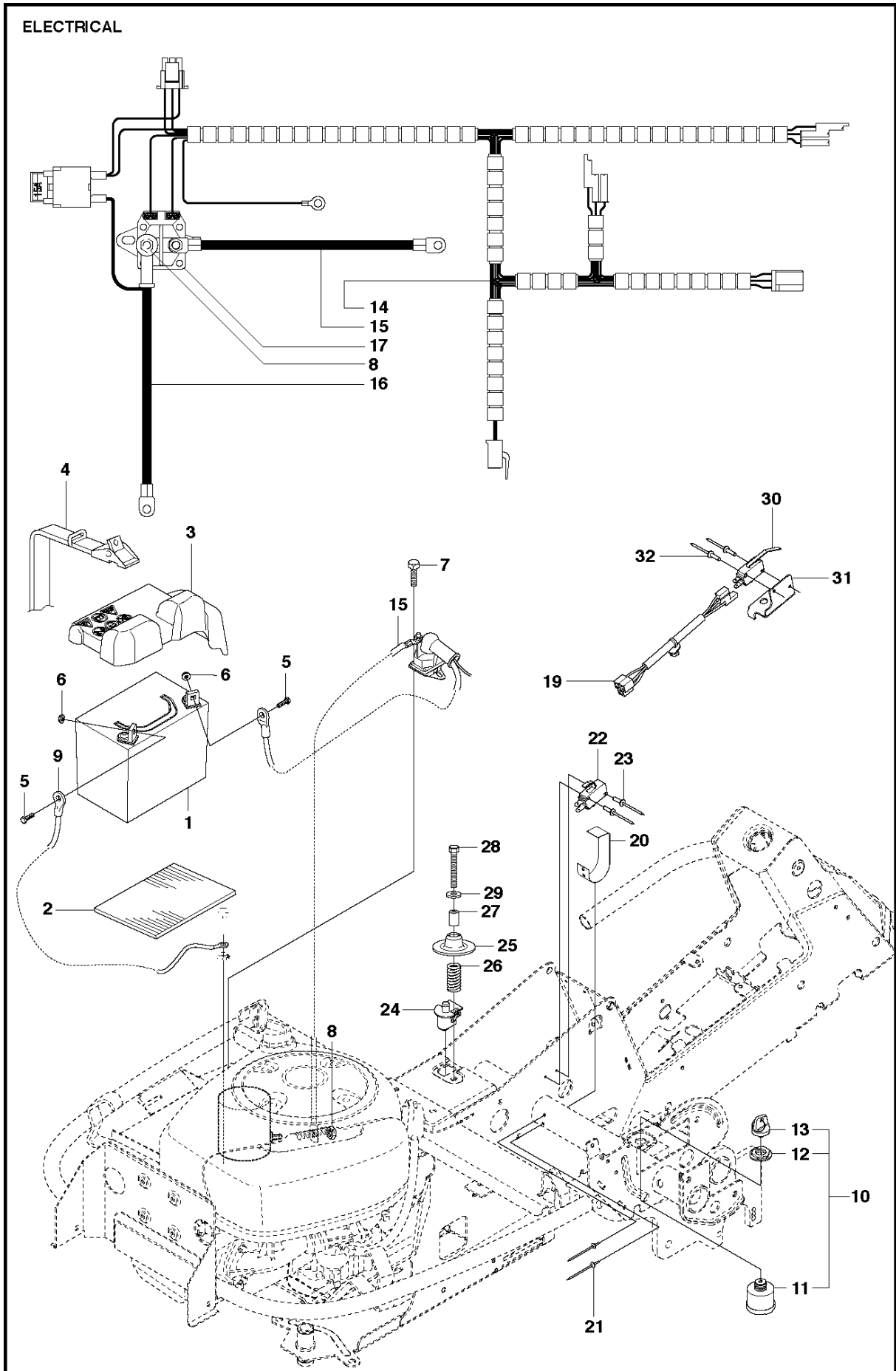
| Ref | Part No      | Description   | Remark | QTY KIT |
|-----|--------------|---------------|--------|---------|
| 13  | 504 05 95-01 | CONTROL COVER |        | 1       |
| 14  | 504 05 97-02 | CONTROL COVER |        | 1       |
| 15  | 504 05 98-02 | COVER         |        | 1       |
| 16  | 535 42 91-01 | SPRING NUT    |        | 1       |
| 17  | 544 40 05-01 | SCREW         |        | 7       |



## DECALS

FR2213 MA, 967294701, 2015

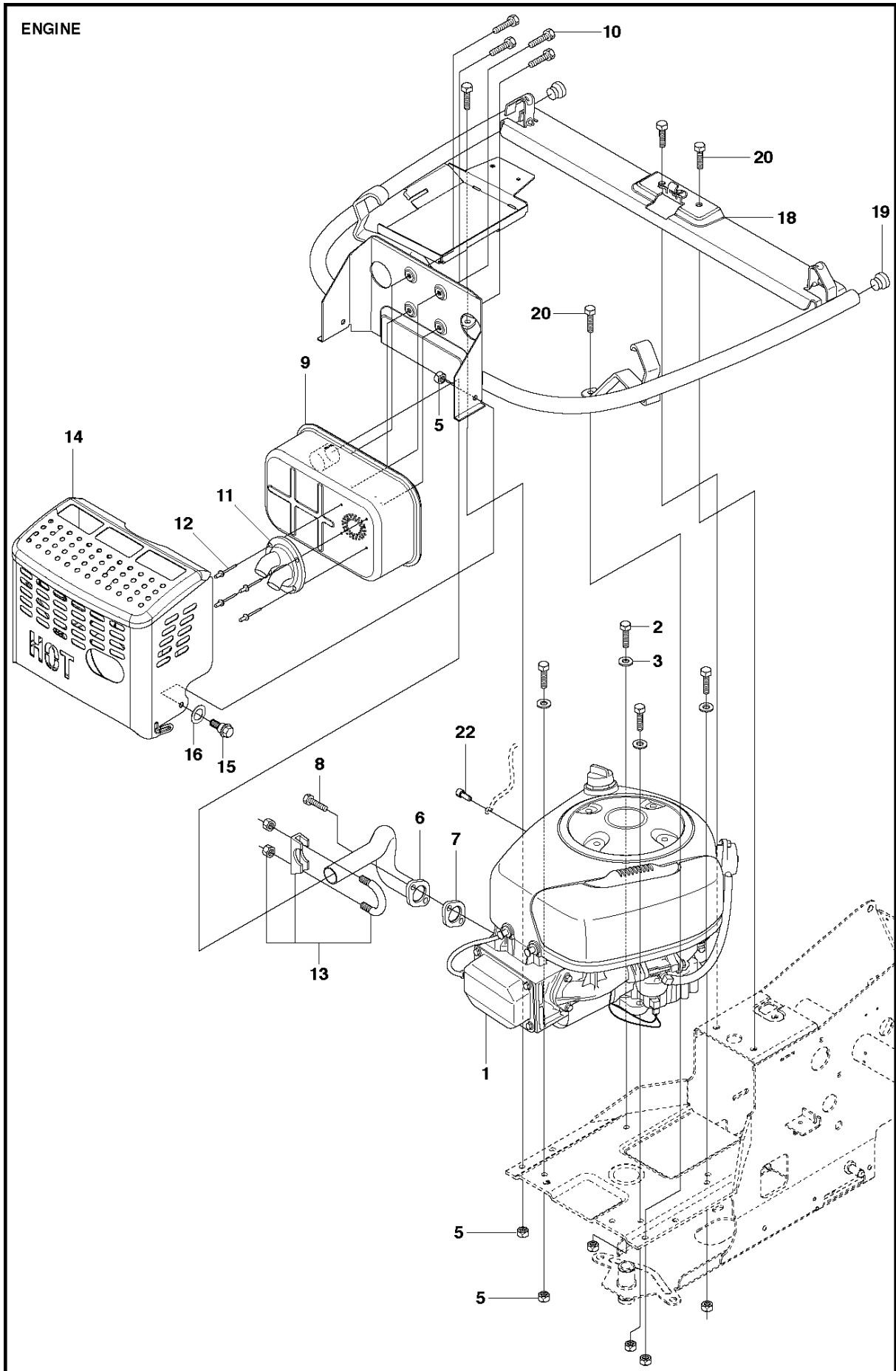
| Ref | Part No      | Description | Remark | QTY KIT |
|-----|--------------|-------------|--------|---------|
| 1   | 544 43 86-01 | LABEL       |        | 1       |
| 2   | 502 29 14-01 | LABEL       |        | 1       |
| 3   | 544 43 88-02 | LABEL       |        | 1       |
| 4   | 544 43 90-03 | LABEL       |        | 1       |
| 5   | 544 43 92-02 | LABEL       |        | 1       |
| 6   | 505 21 77-01 | LABEL       |        | 1       |
| 7   | 535 43 47-01 | DECAL       |        | 3       |
| 8   | 544 21 14-01 | LABEL       |        | 1       |
| 9   | 502 29 21-03 | LABEL       |        | 1       |
| 10  | 574 51 00-01 | DECAL       |        | 1       |
| 11  | 579 55 65-01 | DECAL       |        | 1       |



## ELECTRICAL

FR2213 MA, 967294701, 2015

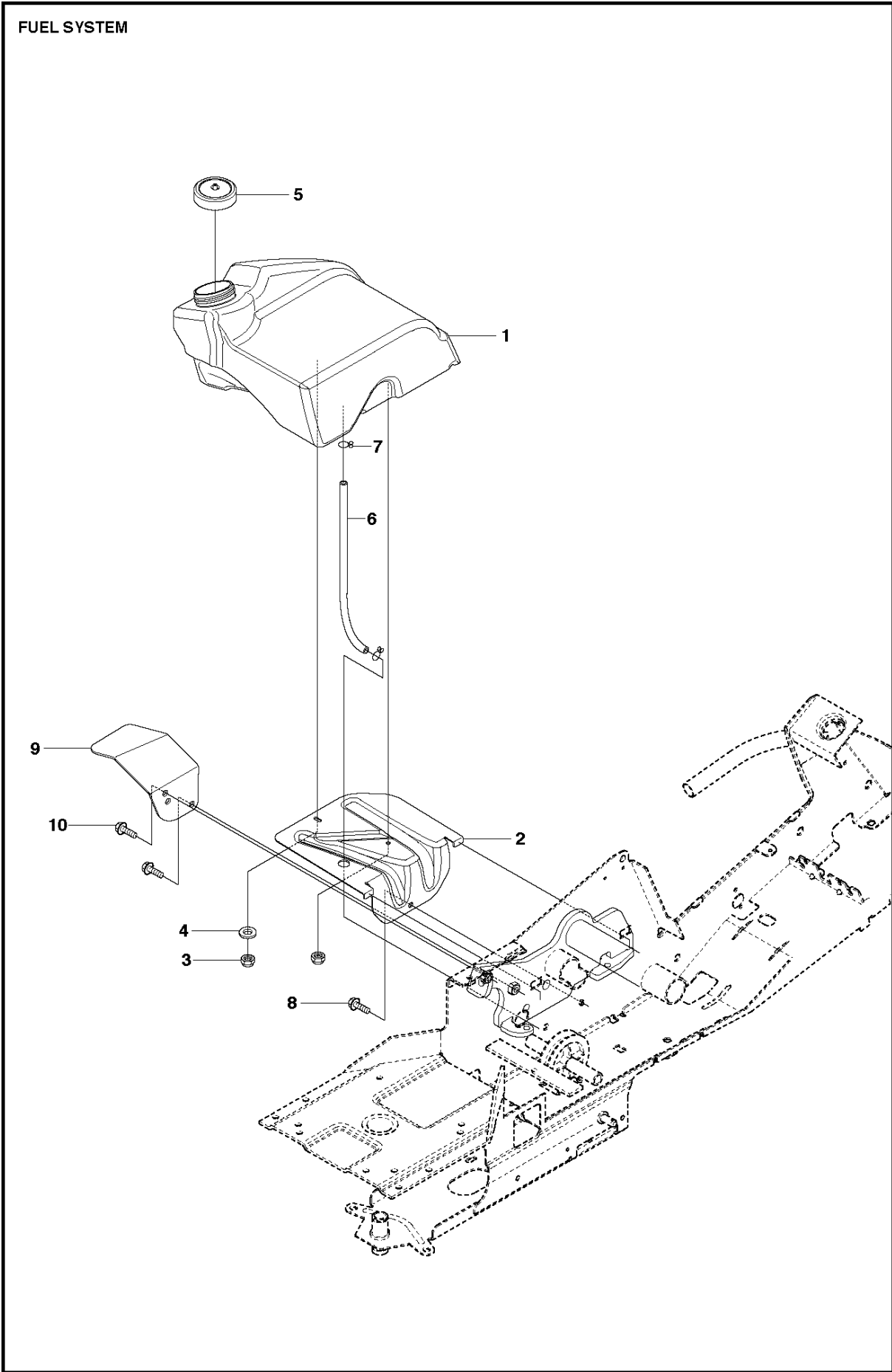
| Ref | Part No      | Description     | Remark | QTY | KIT |
|-----|--------------|-----------------|--------|-----|-----|
| 1   | 510 13 85-01 | BATTERY         |        | 1   |     |
| 2   | 535 44 11-01 | BATTERY MAT     |        | 1   |     |
| 3   | 510 02 69-01 | COVER           |        | 1   |     |
| 4   | 506 83 68-02 | BATTERY BELT    |        | 1   |     |
| 5   | 522 62 21-01 | SCREW EHHM      |        | 2   |     |
| 6   | 522 62 43-01 | NUT             |        | 2   |     |
| 7   | 725 23 64-61 | SCREW EHHFT     |        | 1   |     |
| 8   | 506 89 98-01 | NUT             |        | 3   |     |
| 9   | 544 96 76-03 | CABLE           |        | 1   |     |
| 10  | 544 44 21-01 | IGNITION SWITCH |        | 1   |     |
| 11  | 544 44 22-01 | IGNITION SWITCH |        | 1   | 10  |
| 12  | 544 44 23-01 | NUT             |        | 1   | 10  |
| 13  | 544 44 24-01 | IGNITION KEY    |        | 1   | 10  |
| 14  | 578 33 83-01 | WIRING          |        | 1   |     |
| 15  | 544 92 86-01 | CABLE           |        | 1   |     |
| 16  | 544 92 61-04 | CABLE           |        | 1   |     |
| 17  | 544 43 98-01 | RELAY           |        | 1   |     |
| 19  | 576 18 54-01 | WIRING          |        | 1   |     |
| 20  | 506 90 93-01 | PLATE SPRING    |        | 1   |     |
| 21  | 722 78 39-02 | BLIND RIVET     |        | 2   |     |
| 22  | 574 31 60-01 | SWITCH          |        | 1   |     |
| 23  | 544 44 07-01 | RIVET           |        | 2   |     |
| 24  | 506 90 96-01 | SWITCH          |        | 1   |     |
| 25  | 506 90 97-01 | SPRING WASHER   |        | 1   |     |
| 26  | 544 44 12-01 | SPRING          |        | 1   |     |
| 27  | 506 90 99-02 | SPACING TUBE    |        | 1   |     |
| 28  | 725 24 60-51 | SCREW EHHM      |        | 1   |     |
| 29  | 734 11 64-01 | WASHER          |        | 1   |     |
| 30  | 574 31 61-01 | SWITCH          |        | 1   |     |
| 31  | 544 41 57-01 | BRACKET         |        | 1   |     |
| 32  | 544 44 07-01 | RIVET           |        | 2   |     |



## ENGINE

FR2213 MA, 967294701, 2015

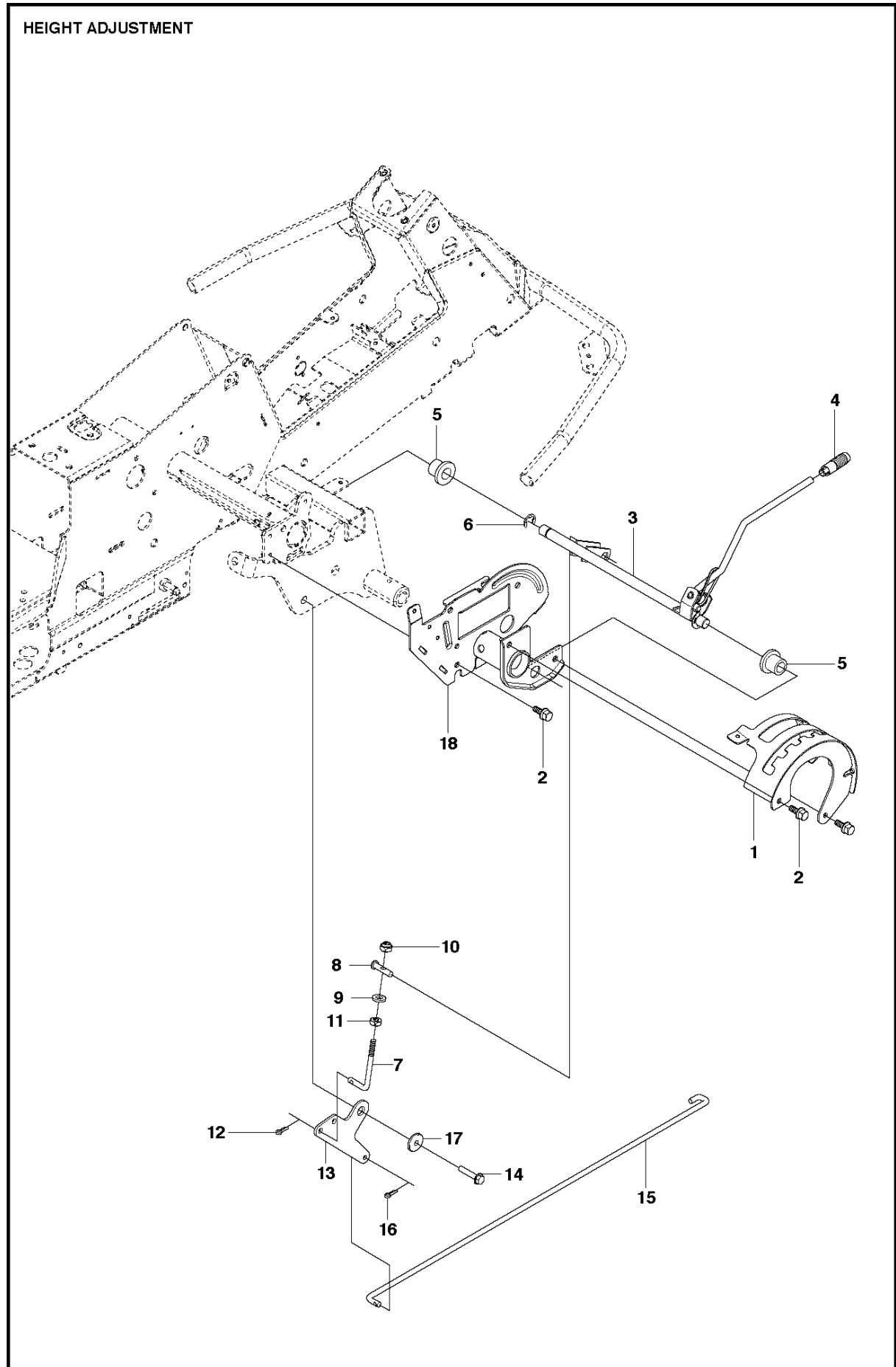
| Ref | Part No      | Description    | Remark | QTY KIT |
|-----|--------------|----------------|--------|---------|
| 1   | 580 91 92-01 | ENGINE         |        | 1       |
| 2   | 725 24 57-51 | SCREW          |        | 4       |
| 3   | 734 11 64-01 | WASHER         |        | 4       |
| 5   | 732 21 18-01 | LOCK NUT       |        | 8       |
| 6   | 580 66 13-02 | EXHAUST PIPE   |        | 1       |
| 7   | 506 91 45-01 | GASKET         |        | 1       |
| 8   | 506 55 63-01 | SCREW UNC      |        | 2       |
| 9   | 535 40 08-01 | MUFFLER ASSY   |        | 1       |
| 10  | 725 23 68-61 | SCREW EHHFT    |        | 4       |
| 11  | 506 82 79-01 | DEFLECTOR      |        | 1       |
| 12  | 722 79 23-09 | RIVET          |        | 4       |
| 13  | 506 66 84-01 | CLAMP ASSY     |        | 1       |
| 14  | 581 62 77-01 | HEAT PROTECTOR |        | 1       |
| 15  | 506 59 74-01 | SCREW          |        | 2       |
| 16  | 506 83 94-01 | SPRING WASHER  |        | 2       |
| 18  | 578 78 47-01 | ENGINE FRAME   |        | 1       |
| 19  | 506 81 01-01 | PLUG           |        | 2       |
| 20  | 506 57 01-04 | SCREW EHHFM    |        | 4       |
| 22  | 506 55 63-02 | SCREW UNC      |        | 1       |



## FUEL SYSTEM

FR2213 MA, 967294701, 2015

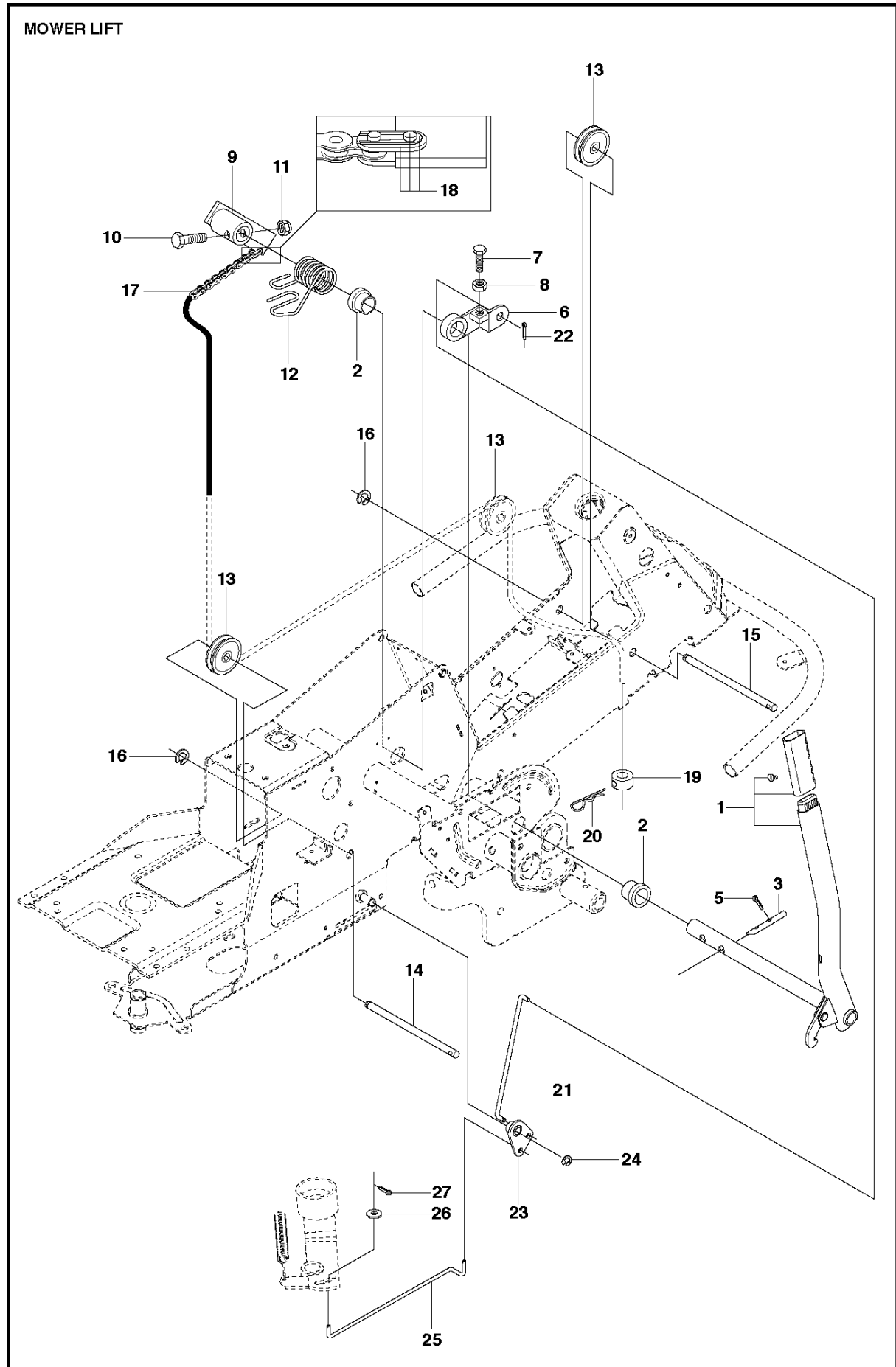
| Ref | Part No      | Description   | Remark | QTY KIT |
|-----|--------------|---------------|--------|---------|
| 1   | 504 05 99-01 | FUEL TANK     |        | 1       |
| 2   | 544 32 93-01 | BRACKET       |        | 1       |
| 3   | 732 21 16-01 | NUT           |        | 2       |
| 4   | 734 11 56-01 | WASHER        |        | 1       |
| 5   | 506 67 33-01 | TANK CAP ASSY |        | 1       |
| 6   | 504 80 00-07 | FUEL HOSE     |        | 1       |
| 7   | 535 46 97-01 | HOSE BRACE    |        | 2       |
| 8   | 725 23 64-61 | SCREW EHHFT   |        | 1       |
| 9   | 504 55 66-01 | SUPPORT       |        | 1       |
| 10  | 725 24 93-71 | SCREW EHHM    |        | 2       |



## HEIGHT ADJUSTMENT

FR2213 MA, 967294701, 2015

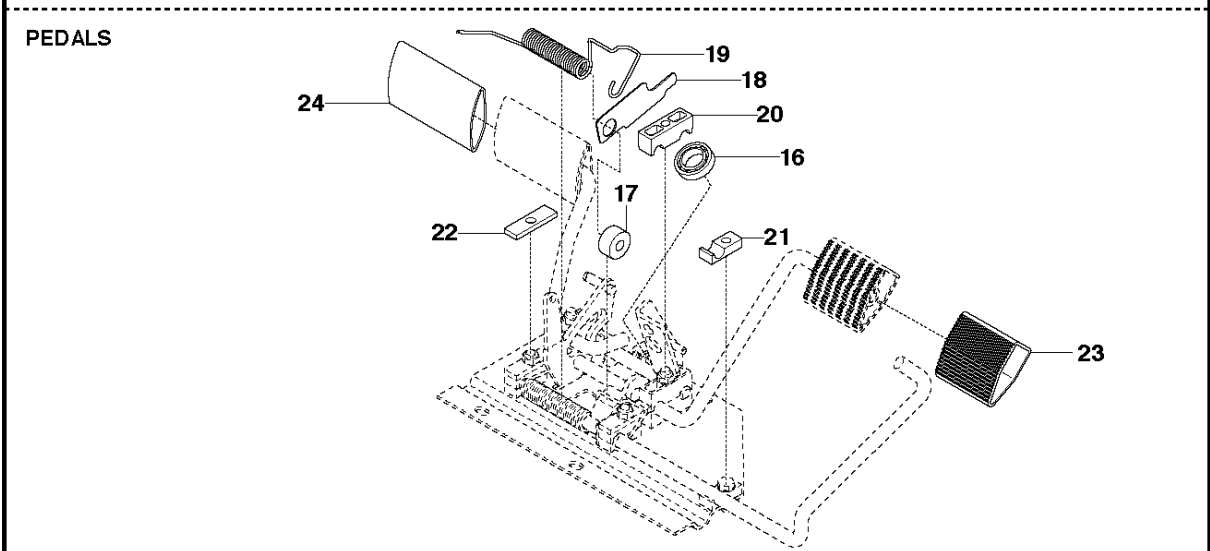
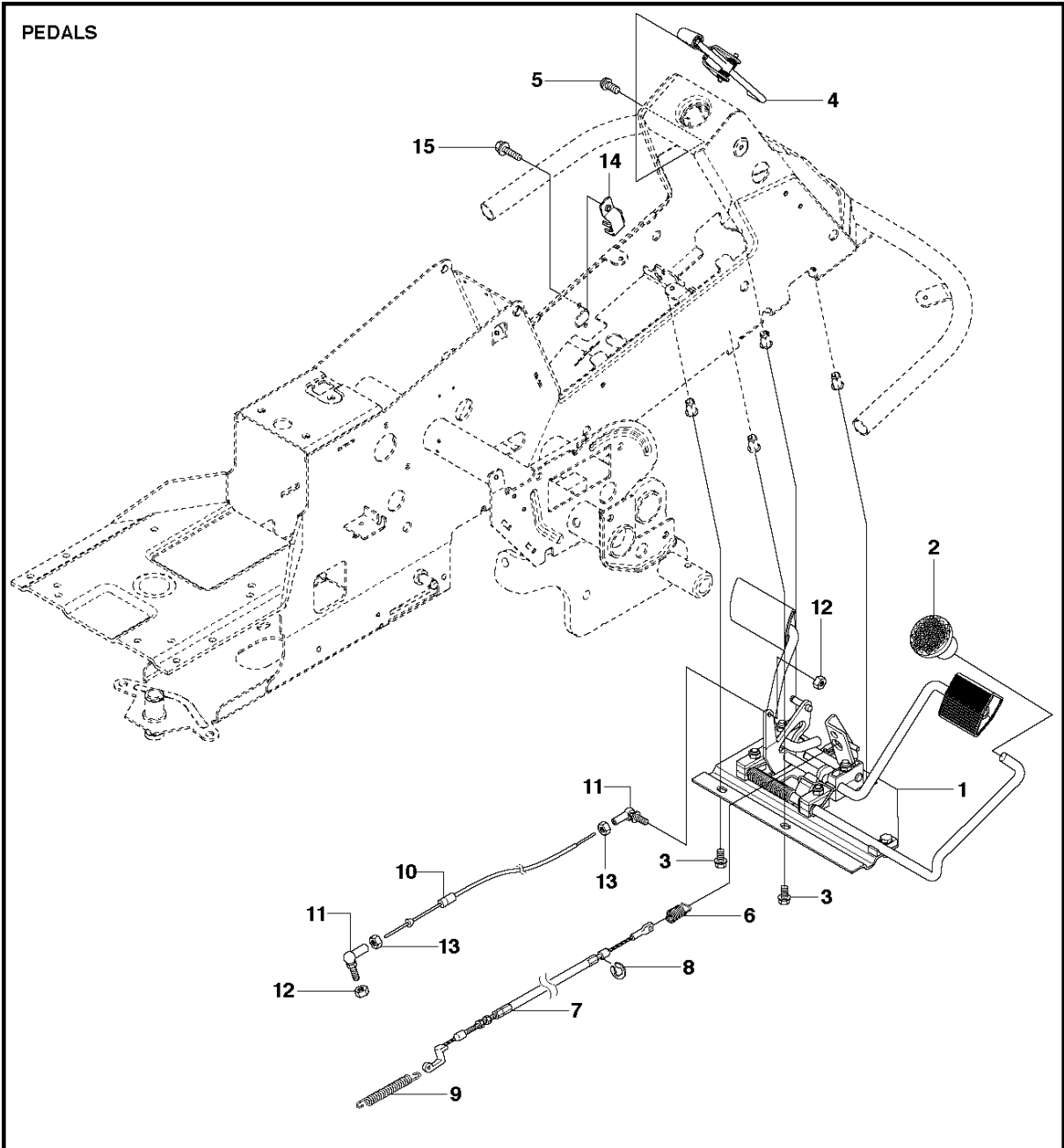
| Ref | Part No      | Description    | Remark | QTY KIT |
|-----|--------------|----------------|--------|---------|
| 1   | 535 50 14-02 | CONTROL PLATE  |        | 1       |
| 2   | 506 57 01-03 | SCREW EHHFM    |        | 4       |
| 3   | 504 73 45-01 | ADJUSTER       |        | 1       |
| 4   | 506 54 20-02 | HANDLE         |        | 1       |
| 5   | 506 55 43-01 | BEARING        |        | 2       |
| 6   | 735 31 22-20 | E-CLIP         |        | 1       |
| 7   | 506 90 82-01 | HEIGHT ROD     |        | 1       |
| 8   | 506 78 46-01 | PEN            |        | 1       |
| 9   | 734 11 72-01 | WASHER         |        | 1       |
| 10  | 732 21 18-01 | LOCK NUT       |        | 1       |
| 11  | 731 23 18-01 | HEXAGON NUT    |        | 1       |
| 12  | 721 61 83-01 | SPLIT PIN      |        | 1       |
| 13  | 578 04 07-01 | LINK           |        | 1       |
| 14  | 506 57 01-05 | SCREW EHHFM    |        | 1       |
| 15  | 544 22 70-01 | CONNECTION ROD |        | 1       |
| 16  | 721 61 83-01 | SPLIT PIN      |        | 1       |
| 17  | 506 91 87-02 | WASHER         |        | 1       |
| 18  | 578 15 56-02 | CONTROL PANEL  |        | 1       |



## MOWER LIFT LEVER

FR2213 MA, 967294701, 2015

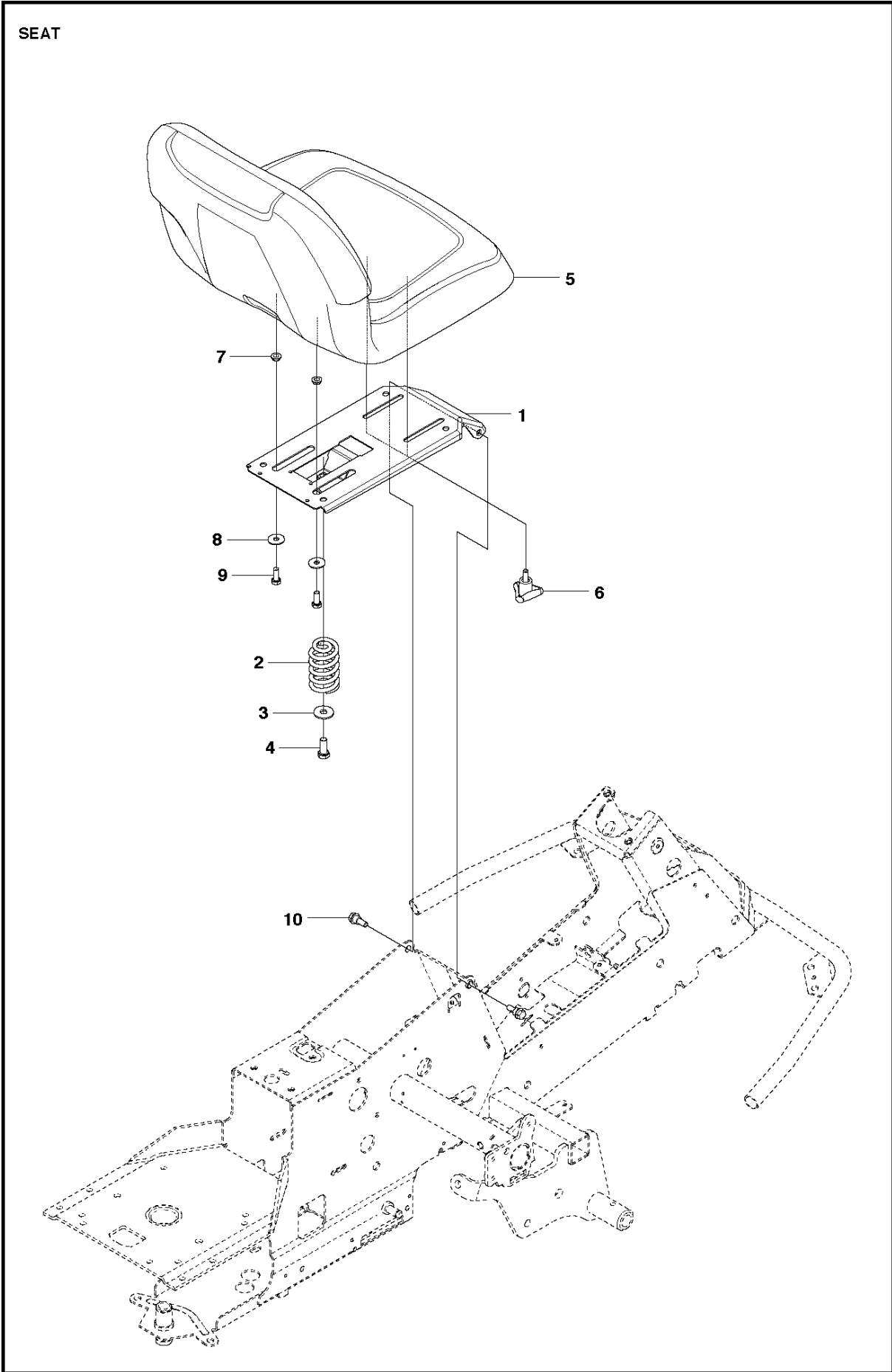
| Ref | Part No      | Description         | Remark | QTY KIT |
|-----|--------------|---------------------|--------|---------|
| 1   | 501 01 86-02 | LIFTING LEVER ASSY  |        | 1       |
| 2   | 506 55 65-01 | BEARING             |        | 2       |
| 3   | 525 40 66-01 | PEN                 |        | 1       |
| 5   | 721 61 83-01 | SPLIT PIN           |        | 1       |
| 6   | 506 78 43-01 | LINK ASSY           |        | 1       |
| 7   | 725 24 97-51 | SCREW               |        | 1       |
| 8   | 731 23 20-51 | HEXAGON NUT         |        | 1       |
| 9   | 544 43 36-01 | LIFTING ARM         |        | 1       |
| 10  | 725 25 42-51 | SCREW EHHM          |        | 1       |
| 11  | 732 25 22-01 | HEXAGON LOCKING NUT |        | 1       |
| 12  | 506 91 68-01 | SPRING              |        | 1       |
| 13  | 506 90 56-01 | OFFSET PULLEY       |        | 2       |
| 14  | 506 90 57-01 | SHAFT               |        | 1       |
| 15  | 506 90 57-02 | SHAFT               |        | 1       |
| 16  | 735 31 18-20 | E-CLIP              |        | 2       |
| 17  | 506 55 46-07 | CHAIN               |        | 1       |
| 18  | 506 55 47-01 | LINKAGE             |        | 1       |
| 19  | 544 93 42-01 | CHAIN STOP          |        | 1       |
| 20  | 506 96 66-01 | HAIR PIN COTTER     |        | 1       |
| 21  | 544 45 69-01 | CONNECTION ROD      |        | 1       |
| 22  | 721 61 83-01 | SPLIT PIN           |        | 1       |
| 23  | 544 37 86-01 | LINK                |        | 1       |
| 24  | 735 31 14-20 | E-CLIP              |        | 1       |
| 25  | 544 44 88-01 | CONNECTION ROD      |        | 1       |
| 26  | 734 11 64-41 | WASHER              |        | 1       |
| 27  | 721 61 83-01 | SPLIT PIN           |        | 1       |



## PEDALS

FR2213 MA, 967294701, 2015

| Ref | Part No      | Description          | Remark | QTY | KIT |
|-----|--------------|----------------------|--------|-----|-----|
| 1   | 544 12 60-01 | PEDAL PLATE ASSY     |        | 1   |     |
| 2   | 535 47 37-01 | KNOB                 |        | 1   |     |
| 3   | 506 57 01-04 | SCREW EHHFM          |        | 4   |     |
| 4   | 544 40 31-01 | BRAKE LEVER ASSY     |        | 1   |     |
| 5   | 725 23 64-61 | SCREW EHHFT          |        | 2   |     |
| 6   | 506 94 63-01 | BRAKE SPRING         |        | 1   |     |
| 7   | 506 99 27-01 | BRAKE WIRE           |        | 1   |     |
| 8   | 735 31 09-20 | HARNES               |        | 1   |     |
| 9   | 506 53 56-03 | DRAW SPRING          |        | 1   |     |
| 10  | 574 41 11-01 | CONTROL CABLE        |        | 1   |     |
| 11  | 506 55 73-01 | VINKELL.AS8 DIN71802 |        | 2   |     |
| 12  | 732 21 14-01 | LOCK NUT             |        | 2   |     |
| 13  | 731 23 14-01 | HEXAGON NUT          |        | 2   |     |
| 14  | 522 43 08-01 | BRACKET              |        | 1   |     |
| 15  | 725 23 64-61 | SCREW EHHFT          |        | 1   |     |
| 16  | 738 21 02-04 | BALL BEARING         |        | 1   | 1   |
| 17  | 535 48 02-01 | ROLLER               |        | 1   | 1   |
| 18  | 535 48 06-01 | PROTECTIVE PLATE     |        | 1   | 1   |
| 19  | 535 48 07-01 | SPRING               |        | 1   | 1   |
| 20  | 535 48 08-01 | BEARING SUPPORT      |        | 4   | 1   |
| 21  | 535 48 09-01 | BEARING SUPPORT      |        | 1   | 1   |
| 22  | 535 48 10-01 | REINFORCEMENT PLATE  |        | 1   | 1   |
| 23  | 535 47 88-01 | PEDAL RUBBER         |        | 1   | 1   |
| 24  | 535 47 88-02 | PEDAL RUBBER         |        | 1   | 1   |
| 25  | 506 56 65-01 | CLIP                 |        | 1   |     |
| 26  | 725 23 64-61 | SCREW EHHFT          |        | 1   |     |



## SEAT

FR2213 MA, 967294701, 2015

| Ref | Part No      | Description        | Remark | QTY KIT |
|-----|--------------|--------------------|--------|---------|
| 1   | 587 15 27-02 | SEAT BRACKET       |        | 1       |
| 2   | 506 91 53-01 | COMPRESSION SPRING |        | 1       |
| 3   | 734 11 74-41 | WASHER             |        | 1       |
| 4   | 725 24 93-71 | SCREW EHHM         |        | 1       |
| 5   | 587 39 31-01 | SEAT               |        | 1       |
| 6   | 585 06 52-02 | KNOB               |        | 2       |
| 7   | 506 56 53-01 | BUSHING            |        | 2       |
| 8   | 734 11 64-41 | WASHER             |        | 2       |
| 9   | 725 24 51-71 | SCREW EHHM         |        | 2       |
| 10  | 506 59 74-01 | SCREW              |        | 2       |

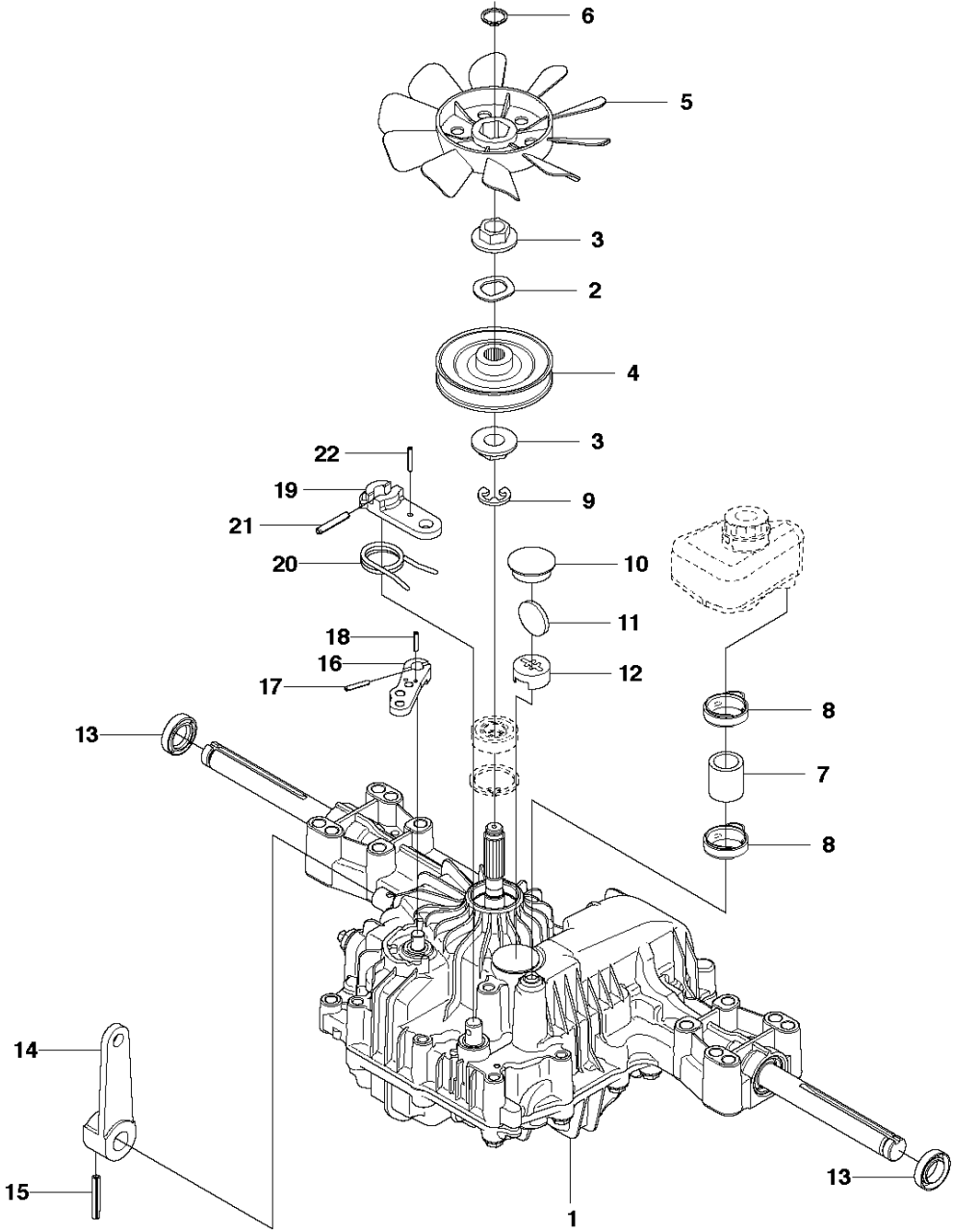


## STEERING

FR2213 MA, 967294701, 2015

| Ref | Part No      | Description      | Remark | QTY KIT |
|-----|--------------|------------------|--------|---------|
| 1   | 506 67 19-01 | SPRING           |        | 1       |
| 2   | 506 57 63-01 | SPRING RETAINER  |        | 1       |
| 3   | 506 67 08-01 | LINK             |        | 1       |
| 4   | 506 59 74-01 | SCREW            |        | 1       |
| 5   | 544 37 52-03 | STEERING WHEEL   |        | 1       |
| 6   | 728 74 55-05 | SCREW IHSETM     |        | 1       |
| 7   | 731 23 18-01 | HEXAGON NUT      |        | 1       |
| 8   | 583 89 99-01 | STEERING ROD     |        | 1       |
| 9   | 506 86 34-01 | DRIVER           |        | 2       |
| 10  | 732 21 20-51 | NUT              |        | 2       |
| 11  | 584 15 56-01 | BRACKET          |        | 1       |
| 12  | 583 89 97-01 | BRACKET          |        | 1       |
| 13  | 735 31 17-00 | CIRCLIP          |        | 1       |
| 14  | 506 57 01-04 | SCREW EHHFM      |        | 4       |
| 15  | 576 49 25-01 | PULLEY           |        | 1       |
| 16  | 544 43 32-02 | PROTECTIVE COVER |        | 1       |
| 17  | 506 77 34-01 | WASHER           |        | 2       |
| 18  | 740 68 14-21 | V-RING           |        | 1       |
| 19  | 576 48 73-01 | BUSHING          |        | 1       |
| 20  | 506 67 54-03 | SCREW EHHFM      |        | 1       |
| 21  | 734 11 74-41 | WASHER           |        | 1       |
| 22  | 577 19 99-04 | WIRE ASSY        |        | 2       |
| 23  | 506 52 24-01 | STARTER PULLEY   |        | 2       |
| 24  | 506 53 94-04 | SHAFT            |        | 1       |
| 25  | 735 31 14-20 | E-CLIP           |        | 2       |
| 26  | 506 55 46-01 | CHAIN            |        | 1       |
| 27  | 506 55 47-01 | LINKAGE          |        | 2       |
| 28  | 544 42 73-01 | WIRE GUIDE       |        | 1       |
| 29  | 731 23 20-01 | HEXAGON NUT      |        | 2       |
| 30  | 577 65 93-02 | SPINDLE          |        | 1       |
| 31  | 738 21 05-04 | BALL BEARING     |        | 1       |
| 32  | 738 21 10-04 | BALL BEARING     |        | 1       |
| 33  | 735 31 40-10 | CIRCLIP          |        | 1       |
| 34  | 735 31 26-00 | CIRCLIP          |        | 3       |
| 35  | 506 98 59-01 | SWING AXLE       |        | 1       |
| 36  | 728 84 43-05 | SCREW IHSETM     |        | 2       |

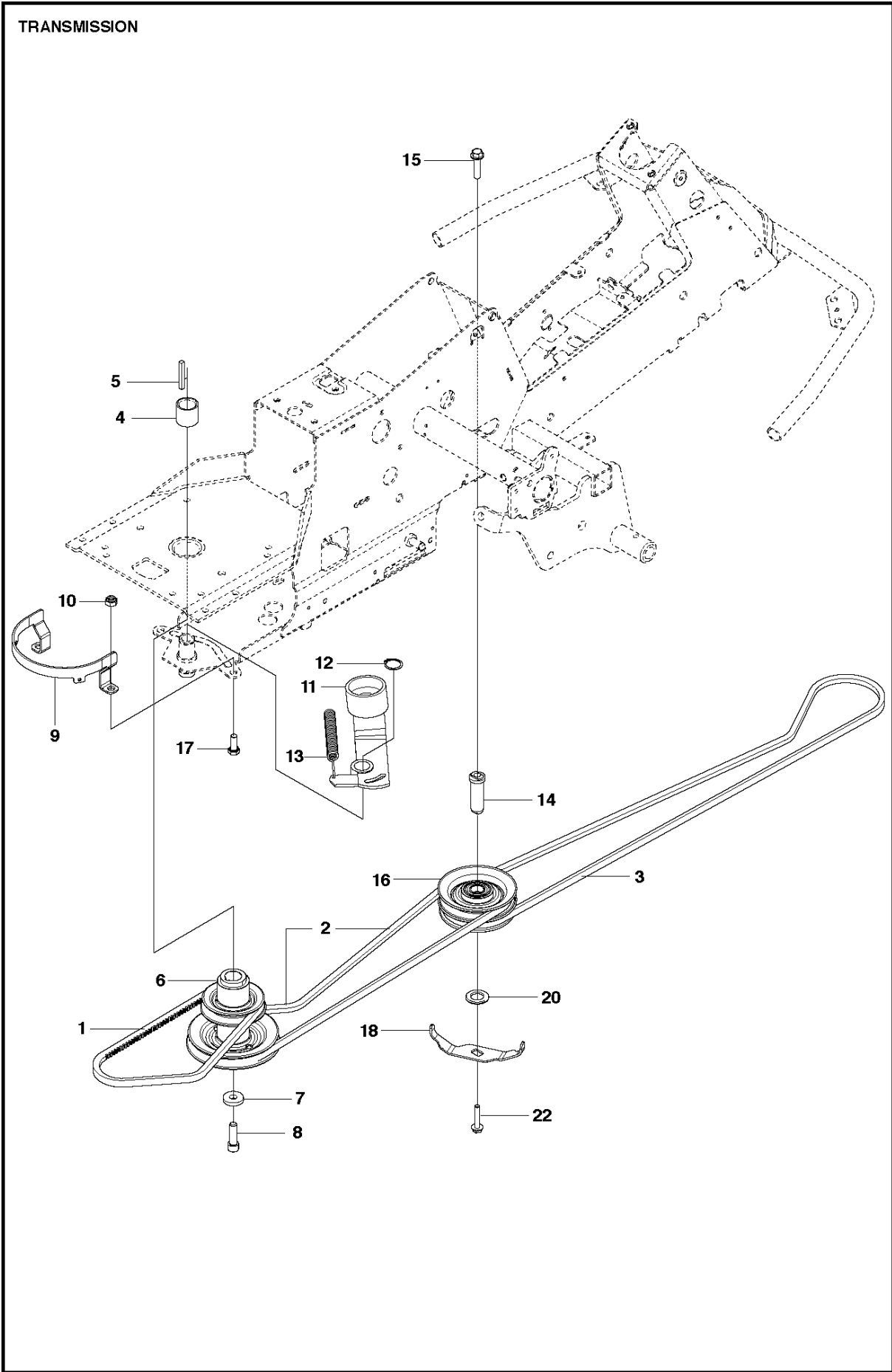
HYDROSTAT K46 EU



## TRANSMISSION

FR2213 MA, 967294701, 2015

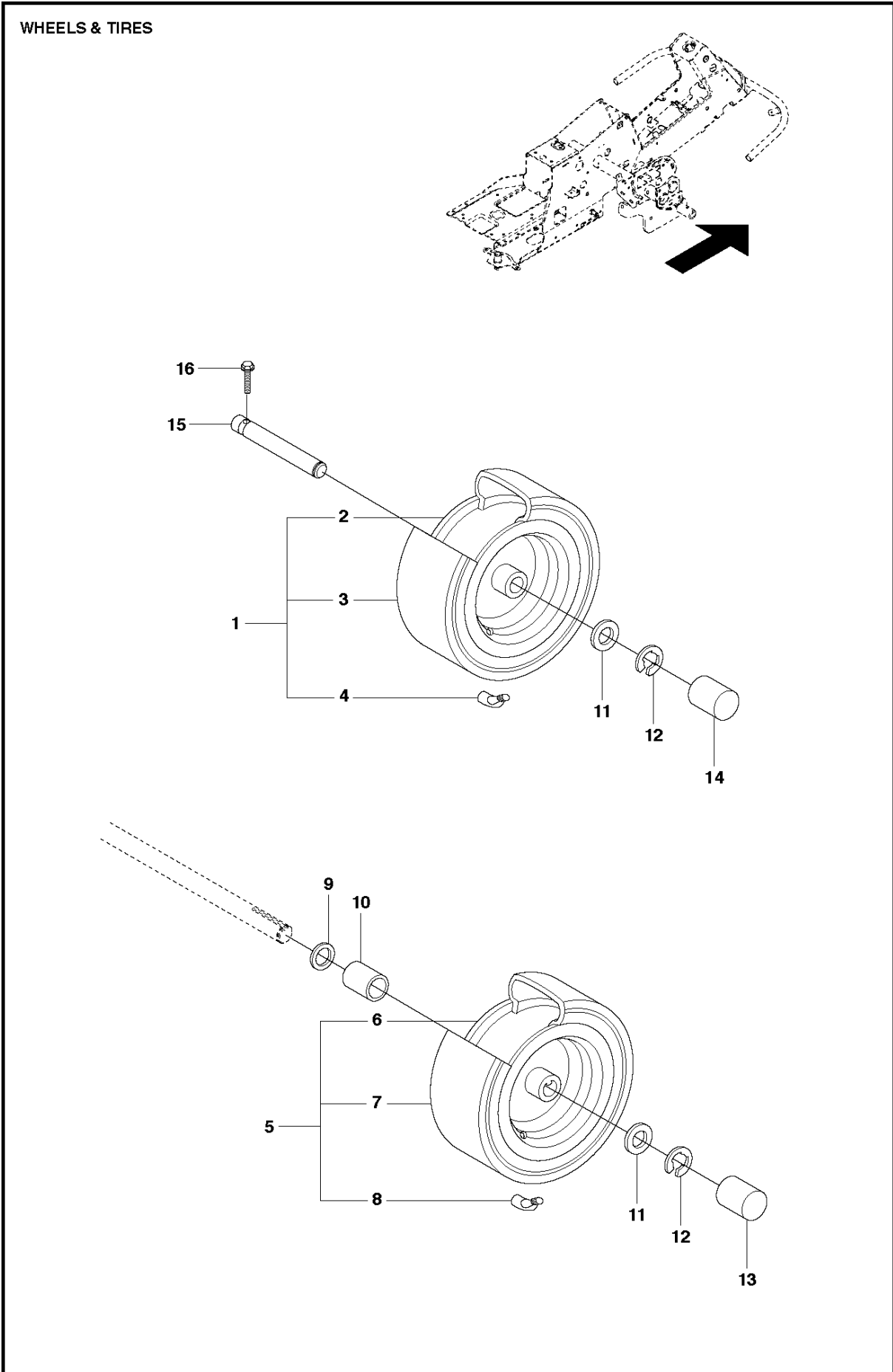
| Ref | Part No      | Description         | Remark | QTY KIT |   |
|-----|--------------|---------------------|--------|---------|---|
| 1   | 506 98 63-01 | TRANSMISSION        |        | 1       |   |
| 2   | 506 98 65-01 | SPRING WASHER       |        | 1       |   |
| 3   | 506 98 66-01 | DISTANCE            |        | 2       |   |
| 4   | 502 45 19-01 | PULLEY              |        | 1       |   |
| 5   | 506 98 68-01 | FAN                 |        | 1       |   |
| 6   | 735 31 15-00 | CIRCLIP             |        | 1       |   |
| 7   | 502 45 16-01 | TUBE                |        | 1       |   |
| 8   | 506 98 70-01 | HOSE CLAMP          |        | 2       |   |
| 9   | 535 40 28-07 | CLIP                |        | 1       | 1 |
| 10  | 535 40 28-32 | PLUG                |        | 1       | 1 |
| 11  | 535 40 28-29 | MAGNET              |        | 1       | 1 |
| 12  | 502 45 20-01 | MAGNET HOLDER       |        | 1       | 1 |
| 13  | 535 40 28-37 | SEALING             |        | 2       | 1 |
| 14  | 502 45 32-01 | CONTROL LEVER       |        | 1       | 1 |
| 15  | 535 40 28-09 | PIN RETAINING SCREW |        | 1       | 1 |
| 16  | 535 40 28-17 | LEVER               |        | 1       | 1 |
| 17  | 535 40 28-16 | PIN RETAINING SCREW |        | 1       | 1 |
| 18  | 535 40 28-33 | PIN RETAINING SCREW |        | 1       | 1 |
| 19  | 535 40 28-38 | LEVER               |        | 1       | 1 |
| 20  | 535 40 28-39 | RETURN SPRING       |        | 1       | 1 |
| 21  | 535 40 28-40 | PIN RETAINING SCREW |        | 1       | 1 |
| 22  | 535 40 28-41 | PIN RETAINING SCREW |        | 1       | 1 |



## TRANSMISSION

FR2213 MA, 967294701, 2015

| Ref | Part No      | Description         | Remark | QTY KIT |
|-----|--------------|---------------------|--------|---------|
| 1   | 522 93 03-01 | BELT                |        | 1       |
| 2   | 544 40 02-01 | BELT                |        | 1       |
| 3   | 585 03 44-01 | BELT                |        | 1       |
| 4   | 506 50 92-01 | SPACING SLEEVE      |        | 1       |
| 5   | 506 55 59-01 | WEDGE               |        | 1       |
| 6   | 535 48 24-01 | PULLEY              |        | 1       |
| 7   | 506 59 75-01 | WASHER              |        | 1       |
| 8   | 506 55 60-02 | SCREW UNC           |        | 1       |
| 9   | 587 42 52-01 | BELT GUIDE          |        | 1       |
| 10  | 732 21 20-51 | NUT                 |        | 2       |
| 11  | 535 48 44-01 | BELT TENSIONER ASSY |        | 1       |
| 12  | 735 31 26-00 | CIRCLIP             |        | 1       |
| 13  | 506 66 56-01 | SPRING              |        | 1       |
| 14  | 581 91 64-01 | SHAFT               |        | 1       |
| 15  | 506 67 54-02 | SCREW EHHFM         |        | 1       |
| 16  | 535 48 22-01 | MELLANHJUL          |        | 1       |
| 17  | 725 24 93-71 | SCREW EHHM          |        | 2       |
| 18  | 544 40 53-01 | BELT GUIDE          |        | 1       |
| 20  | 586 32 02-01 | DISTANCE            |        | 1       |
| 22  | 586 32 04-01 | SCREW               |        | 1       |



## WHEELS &amp; TIRES

FR2213 MA, 967294701, 2015

| Ref | Part No      | Description       | Remark | QTY KIT |
|-----|--------------|-------------------|--------|---------|
| 1   | 523 01 22-01 | WHEEL             |        | 2       |
| 2   | 523 03 45-01 | RIM               |        | 1       |
| 3   | 523 03 46-01 | TYRE              |        | 1       |
| 4   | 523 03 47-01 | VALVE             |        | 1       |
| 5   | 523 01 26-01 | WHEEL             |        | 2       |
| 6   | 523 03 48-01 | RIM               |        | 1       |
| 7   | 523 03 46-01 | TYRE              |        | 1       |
| 8   | 523 03 47-01 | VALVE             |        | 1       |
| 9   | 506 50 48-03 | WASHER            |        | 2       |
| 10  | 506 59 62-03 | SPACING SLEEVE    |        | 2       |
| 11  | 506 50 48-05 | WASHER            |        | 4       |
| 12  | 506 89 90-01 | E-CLIP            |        | 4       |
| 13  | 506 92 30-01 | RUND FOT UKB 30 S |        | 2       |
| 14  | 506 95 58-01 | CUP               |        | 2       |
| 15  | 535 47 08-01 | WHEEL AXLE        |        | 2       |
| 16  | 725 24 59-61 | SCREW EHHFT       |        | 2       |