

STIGA

Reservdelskatalog Parts Catalogue

UTKASTSKÄRM TURBO 510

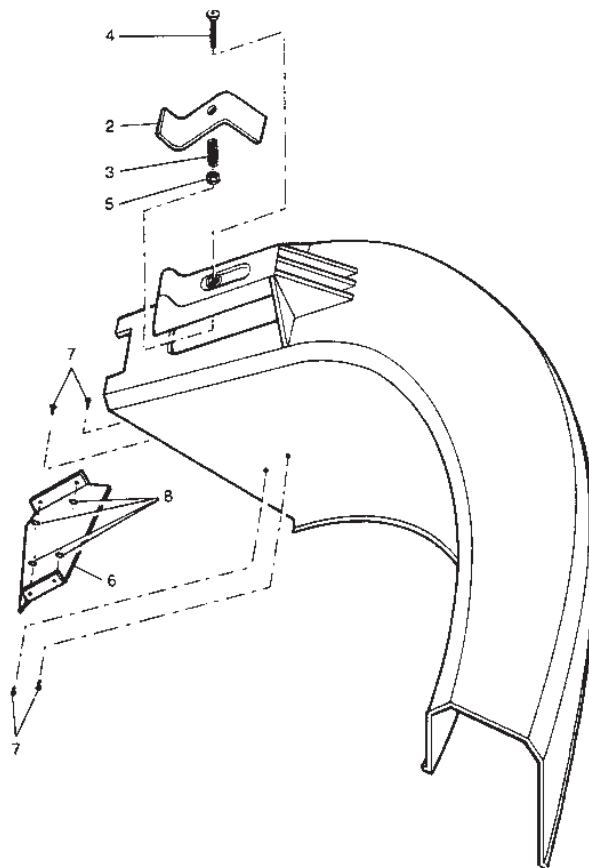
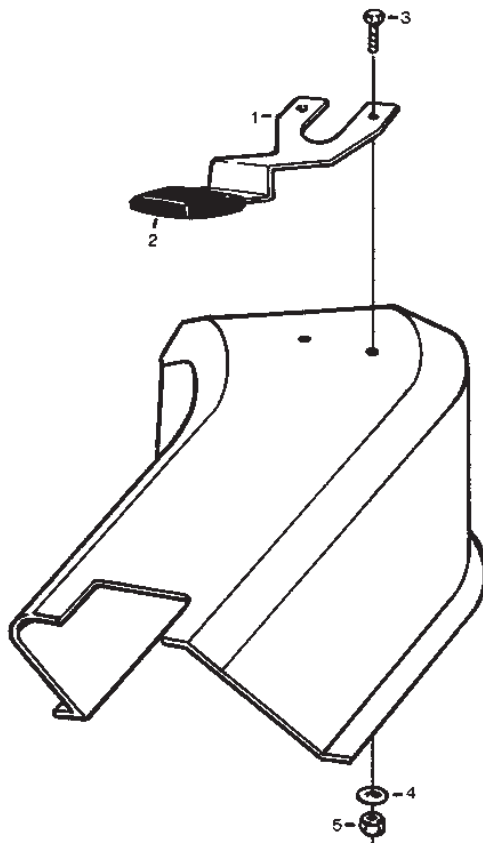
11-6939-11 - Season 1989

- Use GLOBAL GARDEN PRODUCT Genuine Spare Parts specified in the parts list for repair and/or replacement.
 - The contents described in the parts list may change due to improvement.
 - The drawings of the spare parts are only indicative and might not represent the part in question exactly.
 - The indications "right" - "left" - "front" - "rear" refer to the position of the operator when using the machine.
- When placing orders of parts for repair and/or replacement, make sure that the illustrated parts list is the one applying to the machine's year of manufacture, as shown on the identification plate attached to the machine.

© Copyright 2014 Global Garden Products

All rights reserved. No part of this material may be reproduced or transmitted, in any form or by any means, electronic or mechanical, including photocopying, recording or by any information storage and retrieval system, without permission in writing from GLOBAL GARDEN PRODUCTS.

www.stiga.com



Utgåva Issue 39 - 2014		Utkastskärm Art.Nr 11-6939-11 Side Discharge			
Pos. Fig.	Antal Q.ty	Art nr Part No	Benämning	Description	Anmärkning Notes
0	1	11-6939-11	Side discharge assy	Side discharge assy	Turbo 510
0	1	11-6919-11	Utkastskärm kpl	Side discharge assy	Turbo 460
2	1	1812-1104-01	Låsbleck	Lock Plate	
3	1	1812-0769-01	Fjäder	Spring	
4	1	1812-1101-01	Skruv	Screw	
5	1	1812-1106-01	Mutter	Nut	
6	1	1812-1105-01	Ledplåt	Baffle	
7	4	1812-1102-01	Nit	Rivet	
8	4	1812-1103-01	Bricka	Washer	

code	pos.	q.ty	page
11-6919-11	0	1	p. 3
11-6939-11	0	1	p. 3
1812-0769-01	3	1	p. 3
1812-1101-01	4	1	p. 3
1812-1102-01	7	4	p. 3
1812-1103-01	8	4	p. 3
1812-1104-01	2	1	p. 3
1812-1105-01	6	1	p. 3
1812-1106-01	5	1	p. 3