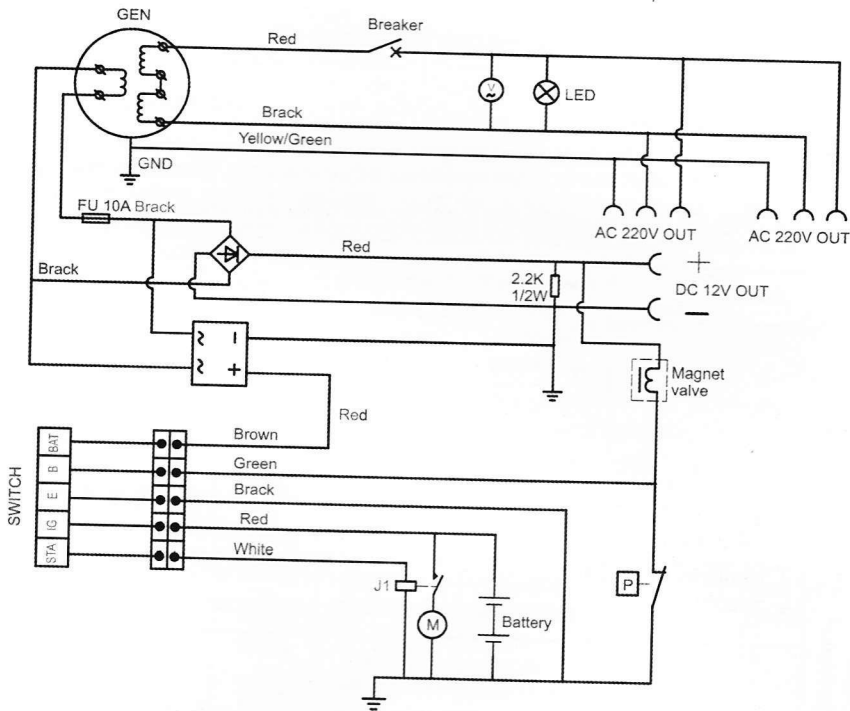




## 2-7 Load

### 2-7.1 Load

To add load according to specified parameter. For electric principle diagram of generator, please refer to the following drawing.



SWITCH

	IG	BAT	STA	E	B
OFF				○—○	
ON	○—○				
START	○—○	○—○			