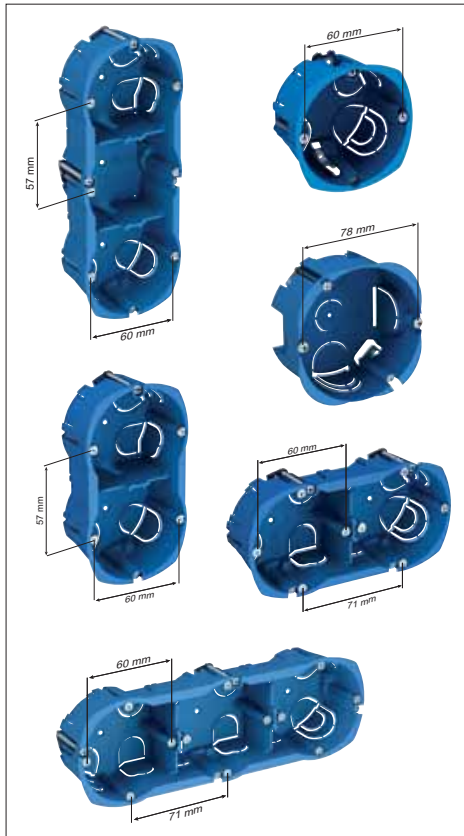


Multifix Plus

Technical description

Dimensions, c/c



Technical and Material data

Material, box	PS (polystyrene)
Density	1.04 g/cm ³
Material, accessories	PC/ABS
Density	1.15 g/cm ³
Colour specifications	<ul style="list-style-type: none"> • Blue RAL 5015 • White RAL 9010
Degree of protection	IP20
Temperature range	Operating temperature from -5°C to +60°C
Standards	IEC 60670-1 Boxes and enclosures for electrical accessories IEC 61995-1 Devices for the connection of luminaires

Mounting of ceiling box

Mounting principles of ceiling DCL box with chimney and Gripple suspension kit.

