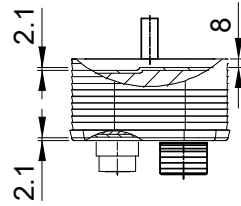
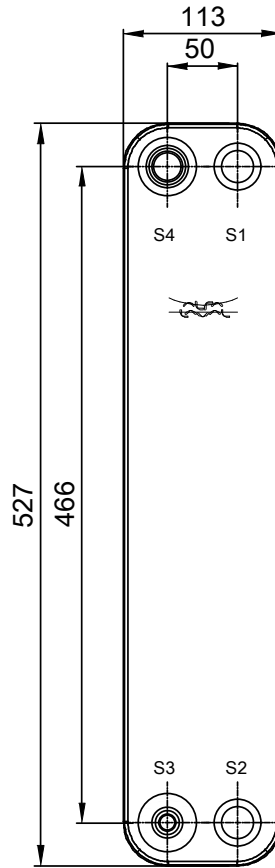
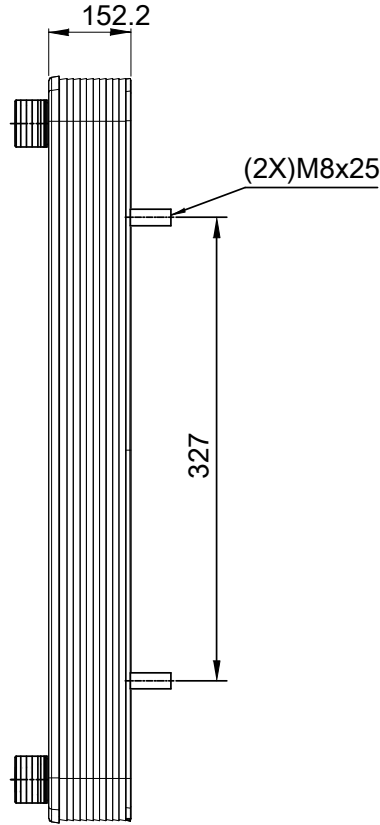
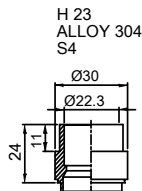
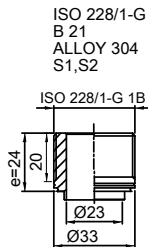
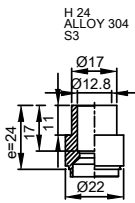


Note that all unique customer requirements (i.e tolerance) need to be verified thru Alfa Laval.



Frameplate is depressed 2.1 mm at connections S3 and S4 if holed.
Pressureplate is depressed 2.1 mm at connections T3 and T4 if holed.

T1 T2 T3 T4 locations on back side correspond to S1 S2 S3 S4 on front side

HEATING SURFACE m²
NETWEIGHT 12.8 kg
OPERATING WEIGHT kg
PLATE MATERIAL ALLOY 316
PLATE GROUPING 1*29H/1*30H

ALL DIMENSIONS IN MILLIMETERS

SIDE	MEDIA	INLET	TEMP. °C	OUTLET	TEMP. °C	FLOW RATE	PRESSURE DROP	LIQUID VOL.
1	Water	S1	°C	S2	°C	kg/s	kPa	3.1 dm ³
2	Water	S3	°C	S4	°C	kg/s	kPa	3.0 dm ³

PRESSURE VESSEL APPROVAL PED

CB60-60H-F (3287123554)

www.alfalaval.com

CUSTOMER NAME / REF. NO.

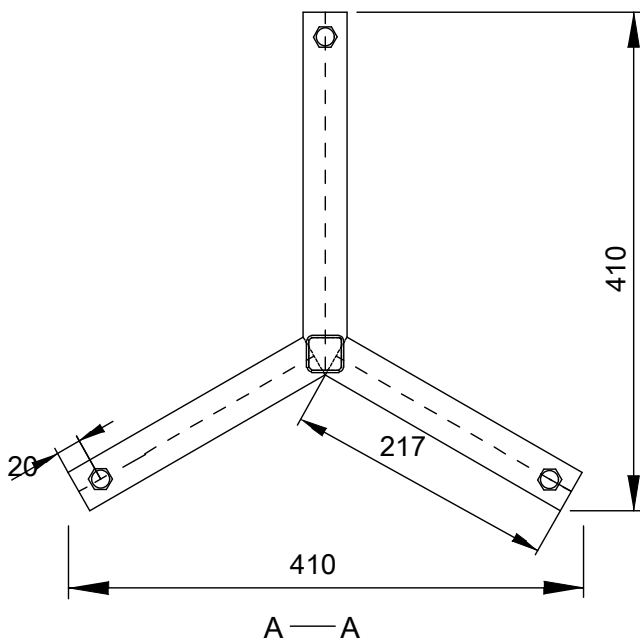
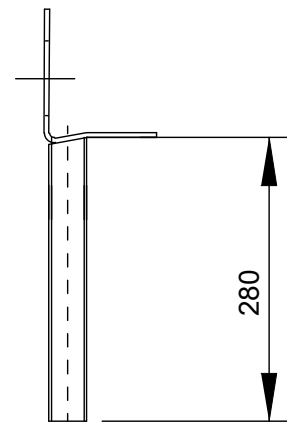
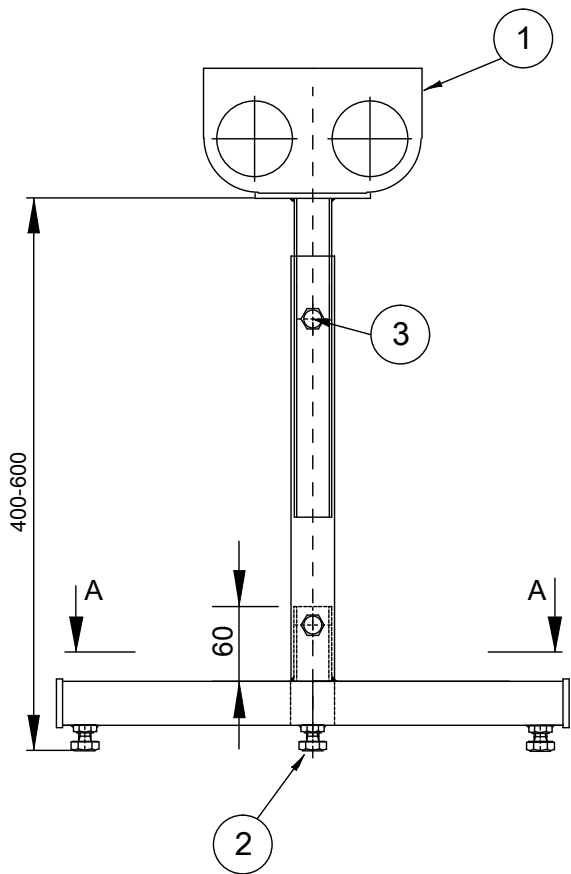
COMPANY / REF.

Alfa Fjärrvärme AB
Alfa Fjärrvärme AB 2023-01-11
KG Stiftelse

TOTAL LENGTH 193 mm
TOTAL WIDTH 113 mm
TOTAL HEIGHT 527 mm



12/15/2023
REV 0



Number of plates	
CB60	
10-60	

Qty	item	Name/Designation	Material	Notes
2	3	Screw DIN 931 M8		
3	2	Adjustable foot		
1	1	Floor support	Black painted	



3456089801

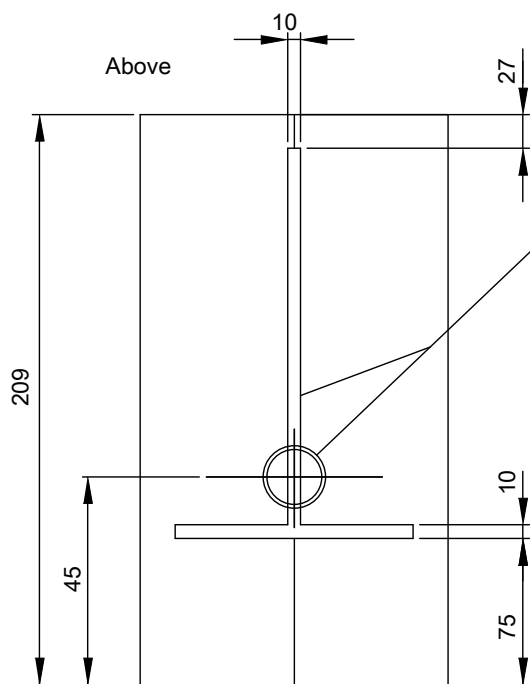
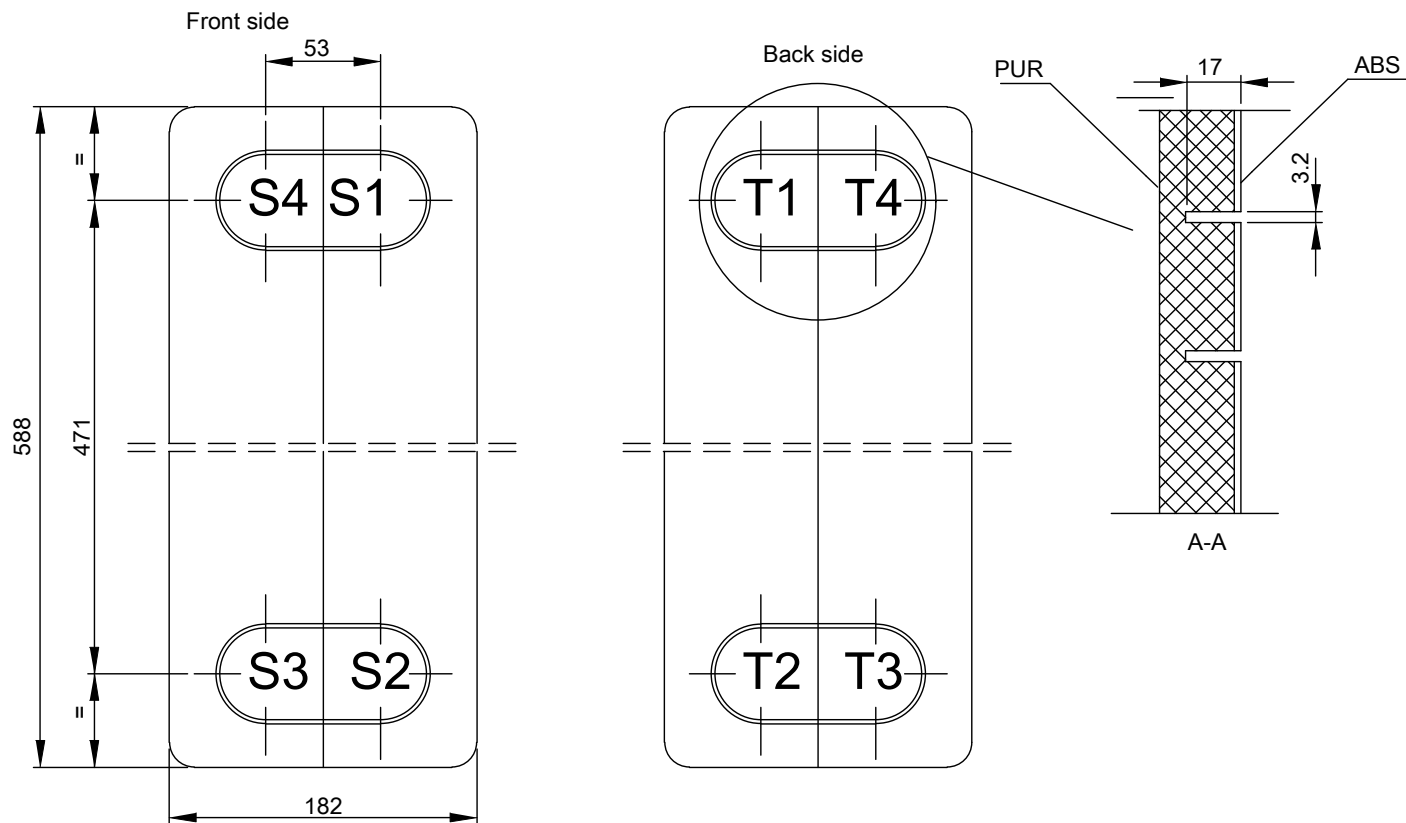
Adjustable Foot kit. Max 60 pl

www.alfalaval.com

{CUSTOMER NAME / REF. NO}

COMPANY / REF.
Alfa Fjärrvärme AB
Alfa Fjärrvärme AB 2023-01-11

12/15/2023



Trace for Foot
Perforate hole Ø50
on under side

1.) MATERIAL

ABS with leather grain
Color blue NCS
CFC-free polyurethan foam
Density: 70 kg/m³
Nominal thickness:

Side	Gable	Top/bottom
32	24.5	31

Number of plates
CB60
60

1.) NOTE

Fire classification E
according to EN ISO 11925-2:2010
Thermal conductivity 28,6 - 32 mW/mK
Max temperature: 130°C

Qty	Item	Name/Designation	Insulation	Polyuretan	Notes



3236000893

HEATING Blue <130°C/266°F

www.alfalaval.com

{CUSTOMER NAME / REF. NO}

COMPANY / REF.
Alfa Fjärrvärme AB
Alfa Fjärrvärme AB 2023-01-11

12/15/2023