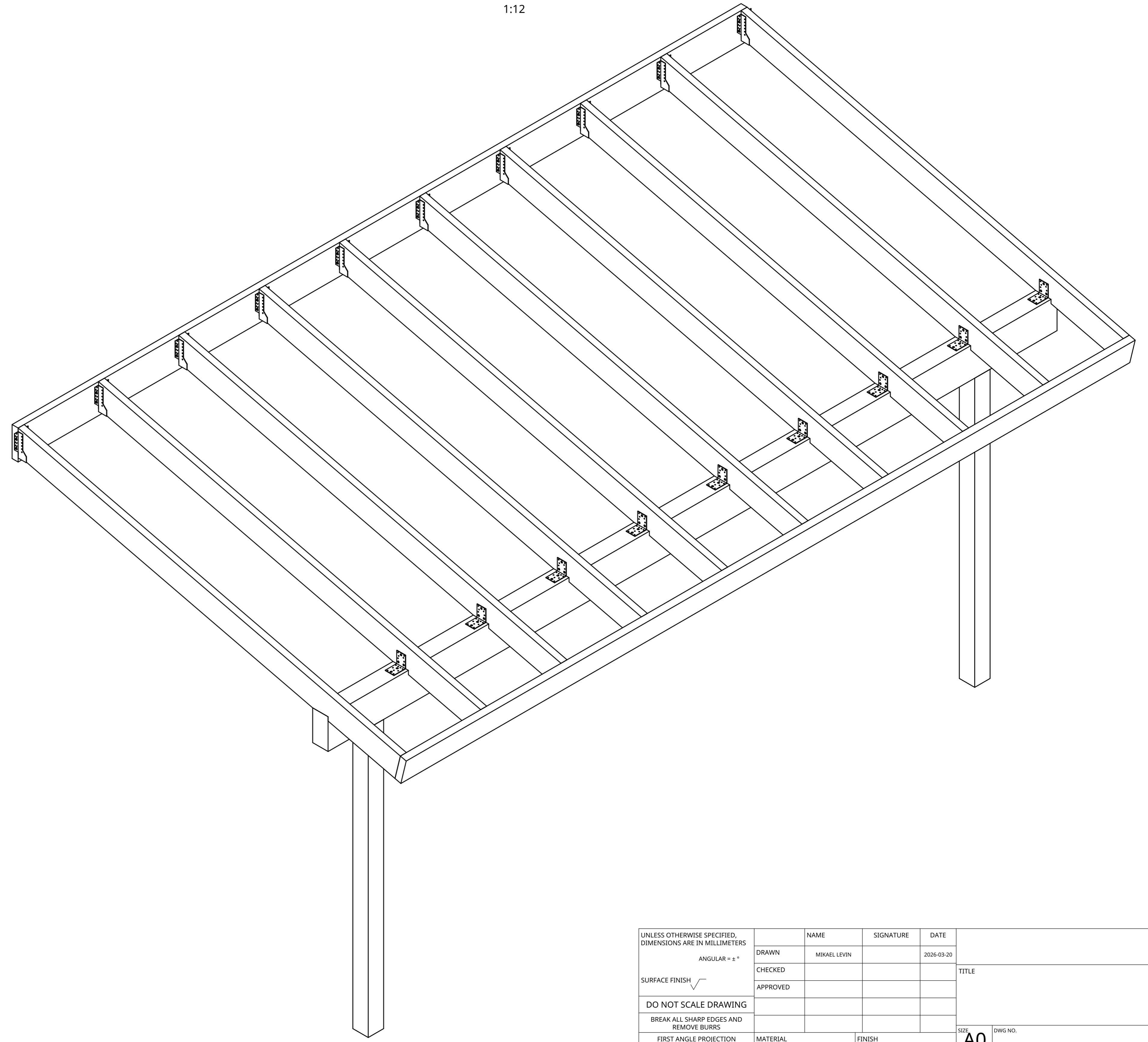
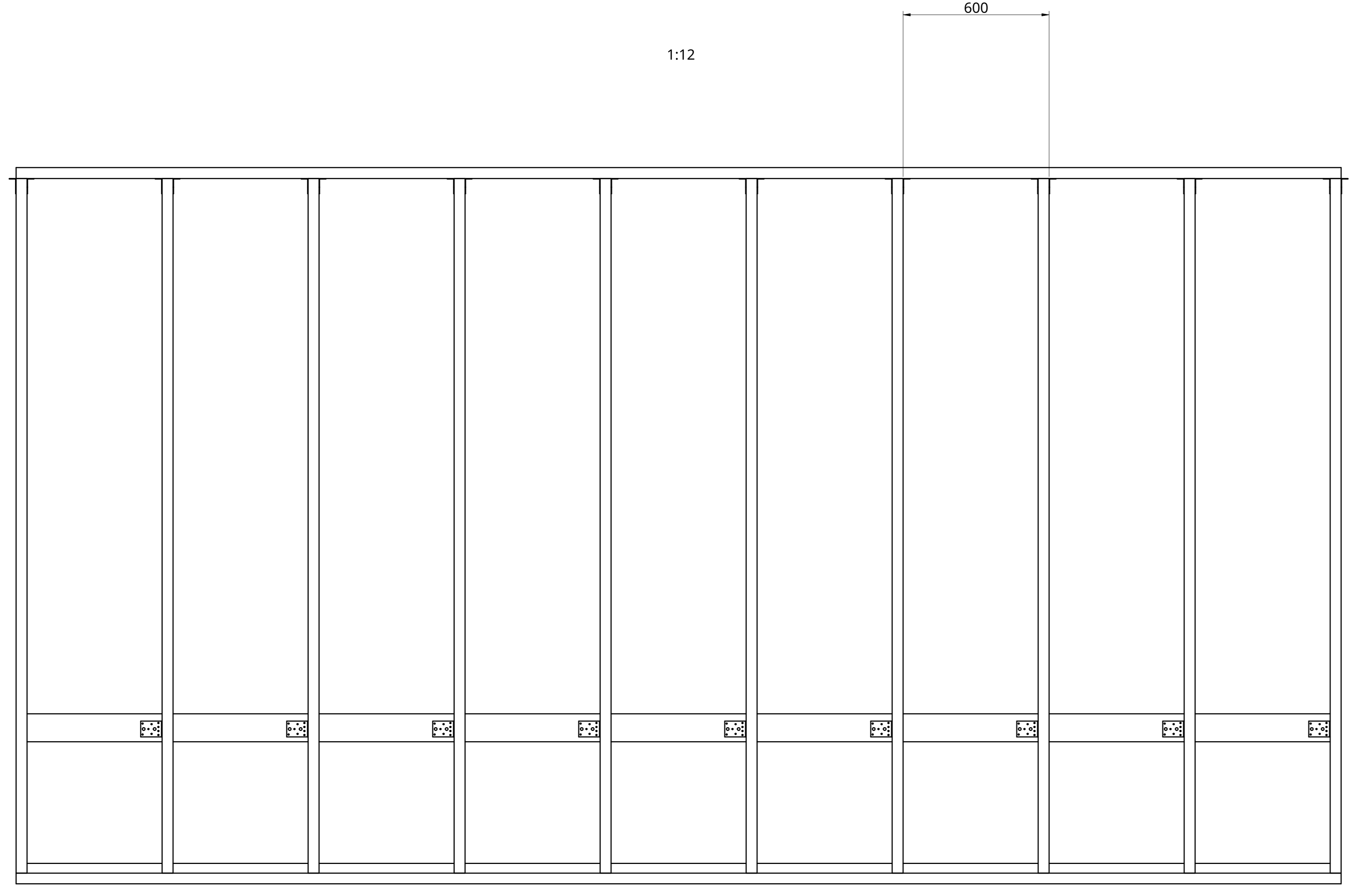
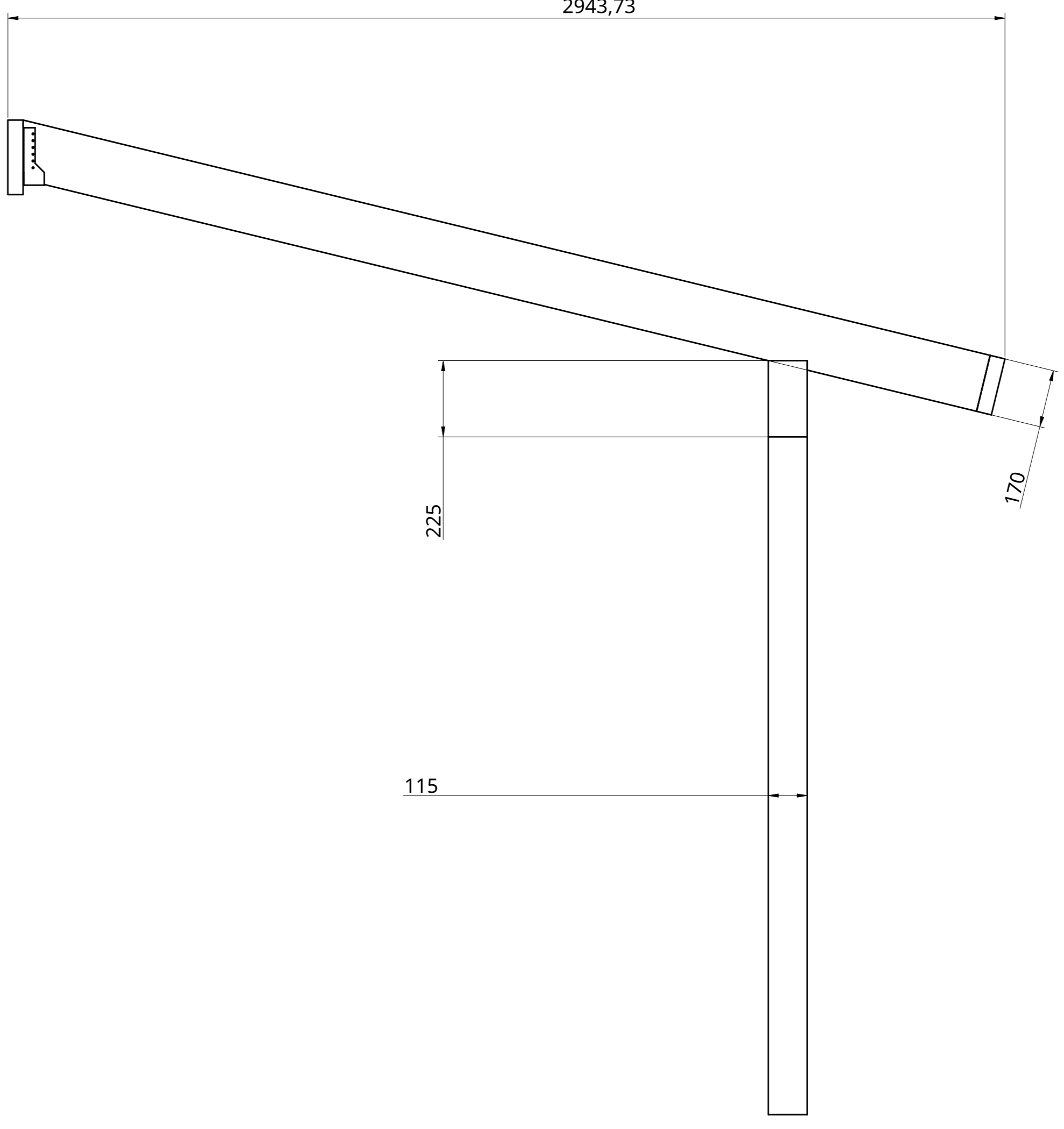
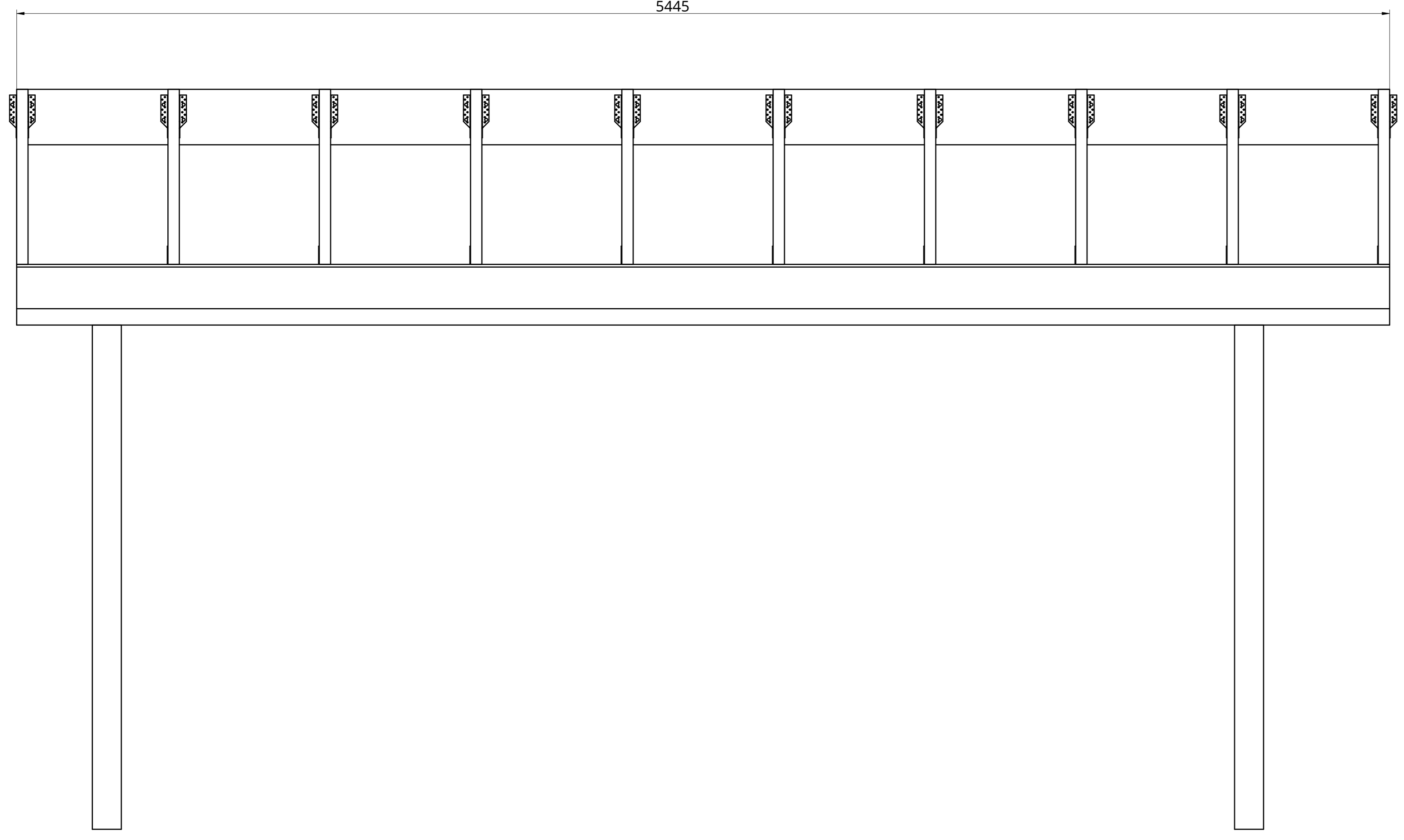


16 15 14 13 12 11 10 9 8 7 6 5 4 3 2 1

L
K
J
I
H
G
F
E
D
C
B
A

L
K
J
I
H
G
F
E
D
C
B
A



UNLESS OTHERWISE SPECIFIED, DIMENSIONS ARE IN MILLIMETERS		NAME	SIGNATURE	DATE	TITLE
ANGULAR = 2°		DRAWN	MIKEL LEVIN	2025-03-20	
SURFACE FINISH		CHECKED			TITLE
DO NOT SCALE DRAWING		APPROVED			
BREAK ALL SHARP EDGES AND REMOVE BURRS					
FIRST ANGLE PROJECTION	MATERIAL	FINISH			NO. 1
					DRWG. NO.
					SCALE: 1:25
					WEIGHT
					SHEET 1 of 1

16 15 14 13 12 11 10 9 8 7 6 5 4 3 2 1