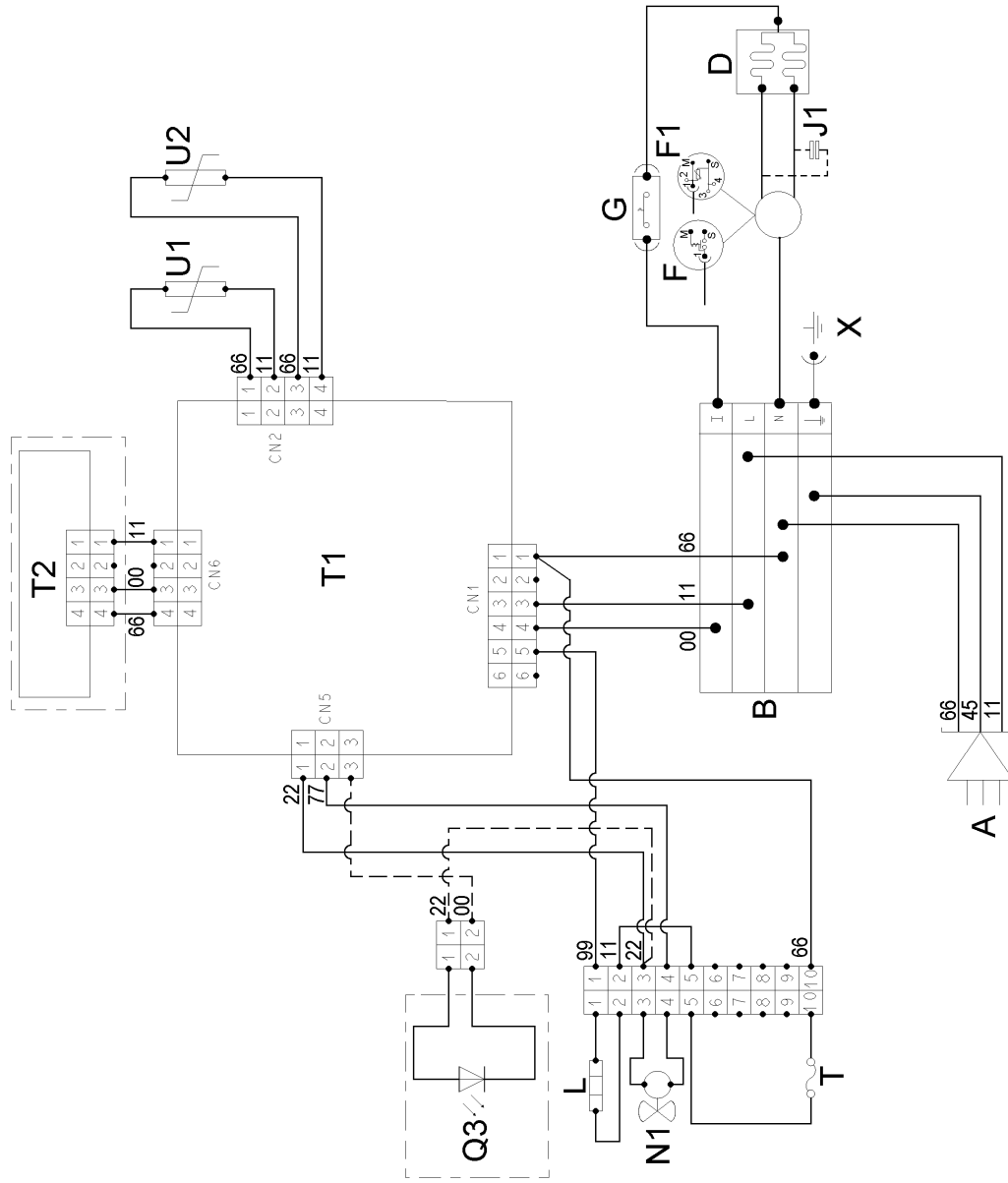


Wiring Diagram



- A PLUG
- B MAIN CONNECTING BLOCK
- D COMPRESSOR
- F STARTING RELAY
- F1 P. T. C.
- G OVERLOAD PROTECTOR
- J1 RUNNING CAPACITOR
- L DEFROST HEATER
- N1 FAN MOTOR FREEZER
- Q3 LED UPRIGHT FREEZER THERMOFUSE
- T1 ELECTRONIC MODULE
- T2 USER INTERFACE
- U1 FREEZER EVAPORATOR SENSOR
- U2 FREEZER AIR SENSOR
- X COMPRESSOR EARTHING

- 00 BLACK
- 11 BROWN
- 22 RED
- 33 ORANGE
- 44 YELLOW
- 55 GREEN
- 66 BLUE
- 77 VIOLET
- 88 BLUE-SKY
- 99 WHITE

--- OPTIONAL

4000 104 86945-1