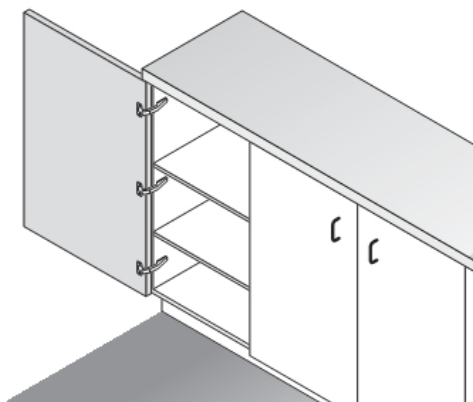






Visible quick mounting hinge for profiled doors

- Opening angle 270°
- Free access to and viewing of cabinet interior
- With visible decorative finials
- Elegant functional look
- For door thicknesses from 14 – 21 mm
- Suitable for all standard fronts with door overlay up to 16 mm
- Self-closing
- No unwanted opening of doors
- 3D-adjustment with appropriate mounting plate
- Simple calibration of gap patterns






overlay

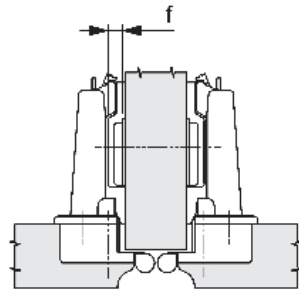
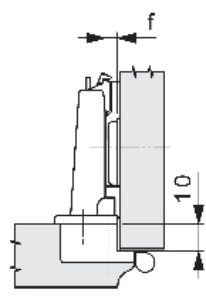
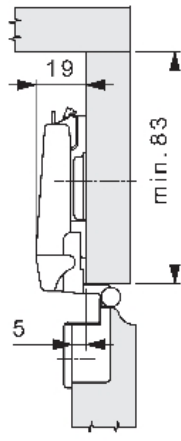
		Hinge arm: zinc die-cast Hinge cup: zinc die-cast	
	screw-on	nickel plated antique brass	Ref. No. 146.780.80.0015 ♦ 146.780.80.0013 PU 125 pcs.
	knock-in	vernickelt	Ref. No. ♦146.780.81.0015 PU 125 pcs.

full overlay

with finials

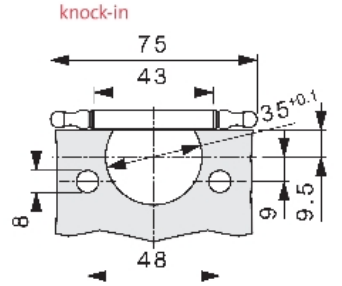
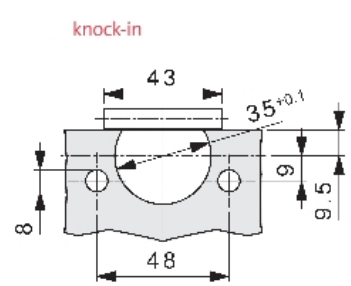
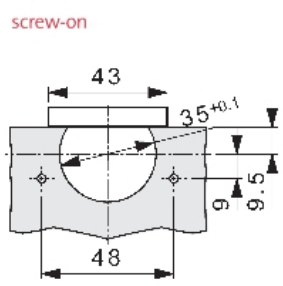
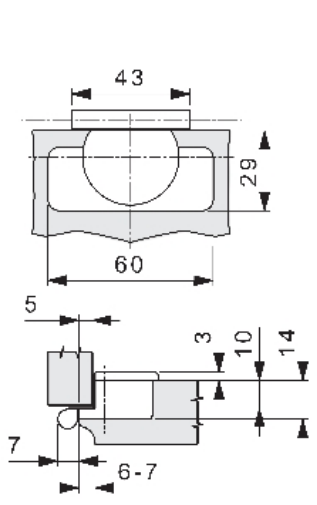
		Hinge arm: zinc die-cast Hinge cup: zinc die-cast	
	knock-in	nickel plated antique brass	Ref. No. ♦146.780.83.0015 ♦146.780.83.0013 PU 125 pcs.
	Cover cap	Plastic black, unprinted * **	Ref. No. 514.000.22.0062 PU 1000 pcs.
* on request printed with your company's logo ** on request printed with Mepla-Alfit logo *** on request embossed with Mepla-Alfit logo	Steel nickel plated, unprinted * ** ***	Ref. No. 514.300.22.0015 PU 1000 pcs.	
	Wood screw countersunk for hinge cup fixing, Ø 3.5 x 15 mm	Ref. No. 707.333.51.5015 PU 1000 pcs.	

♦ on request (minimum order quantity required)
 PU = Packing Unit



Drawing shows mounting plate, thickness 00

Drawing shows mounting plate, thickness 04



Hinge dimensions based on factory settings.
All measurements in millimeter.