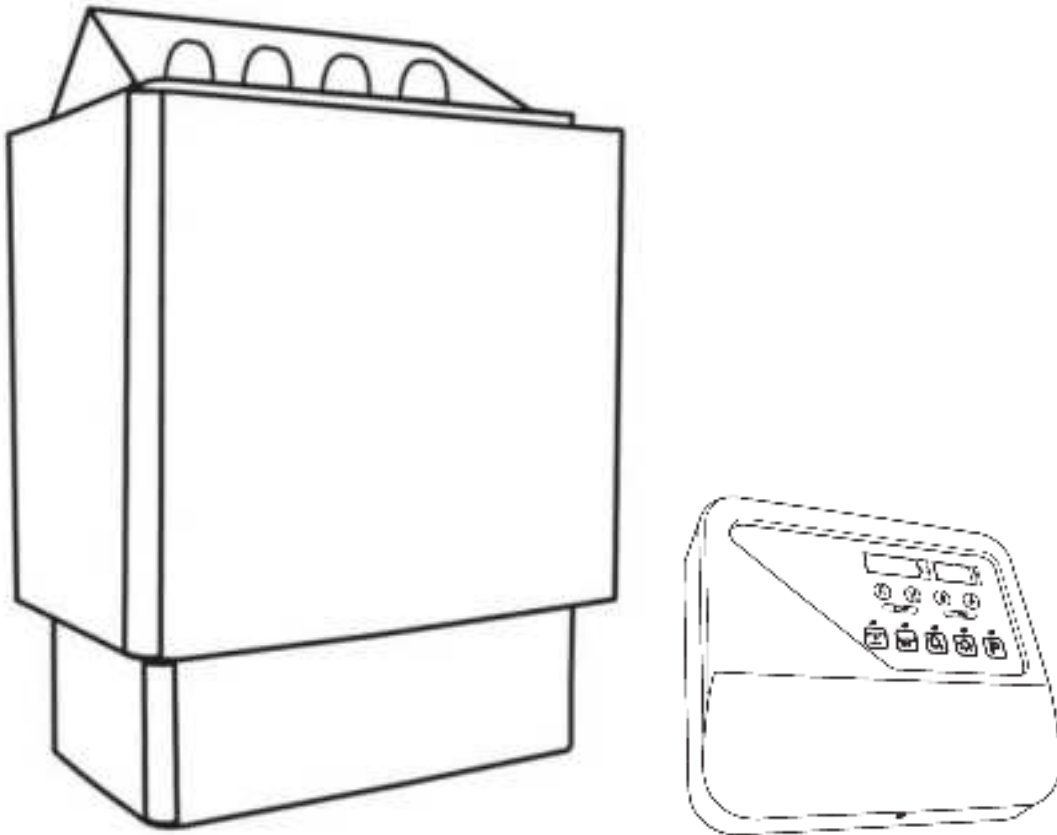




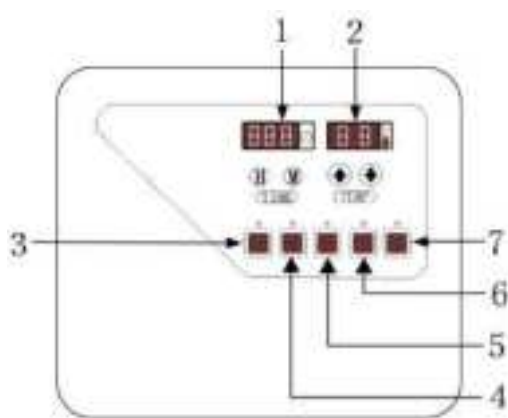
SAUNA HEATER AND SAUNA CONTROL PANEL



This is the original instruction, please read all manual instructions carefully before operating. VEVOR reserves clear interpretation of our user manual. The appearance of the product shall be subject to the product you received. Please forgive us that we won't inform you again if there is any technology or software updates on our product.

The control panel is splash-proof and can be installed in a dry place near sauna room. The temperature sensor unit must be installed to the wall inside the sauna room. Please follow the minimum safety distance of sauna heater during installation(See fig3),which is included in installation diagram. Failure to follow these may cause a burn to the wooden wall.

Fig 1



Control panel

1. Time table
2. Temperature table
3. Prepare to place
4. Control time
5. Ozone output
6. Power of room light
7. Power of heater

1. OPERATION OF CONTROL PANEL

1.1 Adjust present time:

Press “H” to adjust the hour until the figure comes stable, then press “M” to adjust minutes

1.2 Set temperature:

Press “P” to set temperature, then press “▲” or “▼” to control the temperature until the figure comes stable after about 3 seconds(setting

range 35-110°C/95-230°F , default temp is 60°C/140°F)

1.3 Work mode:

1.3.1 Normal working mode

Press “P” to start the sauna heater directly, its operation time can last 4 hours.

1.3.2 Preset working mode

A. Auto-start setting (Max 24hours):

Press “Prepare to place” to fix the time, then press “H” and “M” to set time before “P” to finish.

B. Auto-Stop setting (Min 10mins, Max 4hours):

Press “Control time” to adjust the time, then press “H” and “M” to set time, before time table finishing blink.

Remark: Step 1.1, 1.3.1 and 1.3.2.A must be operated during unworking of sauna heater; Step 1.2 and 1.3.2.B must be operated during working of sauna heater)

2.TEMPERATURE SENSOR

For the recommendation of the minimum installation distances, please check installation diagram of sauna heater for details(See fig3).

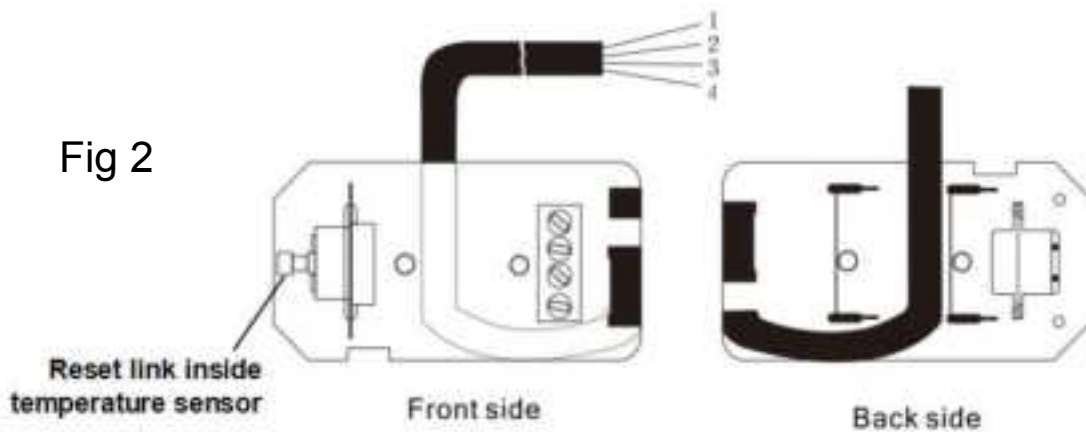
A heat resistant cable of 3 meters is provided with the control panel, which can be extended to the outside of sauna room by normal weak current cables.

3.LIMIT CONTROL

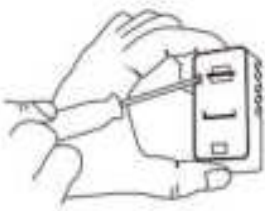
Fitted as a safety feature is an overheating controller that prevents the heater, in the eventuality of some fault, like problem from thermostat.

Should the temperature in sauna room reach too high,the spare link in the sensor unit automatically cuts off the electricity power.

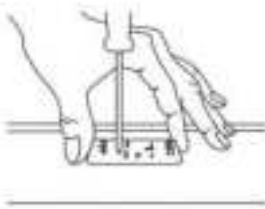
When the temperature is back to normal,the spare link will return to its own position automatically.



4.INSTALLATION OF TEMPERATURE SENSOR



(1)Carefully unload the low cover at the neck position by the edge of circuit board with a screwdriver slotted



(2)Fasten the circuit board with bolt to the wall straight over sauna heater.Check diagram for minimum distance(See fig3).



(3)Fix the cover to the temperature sensor.

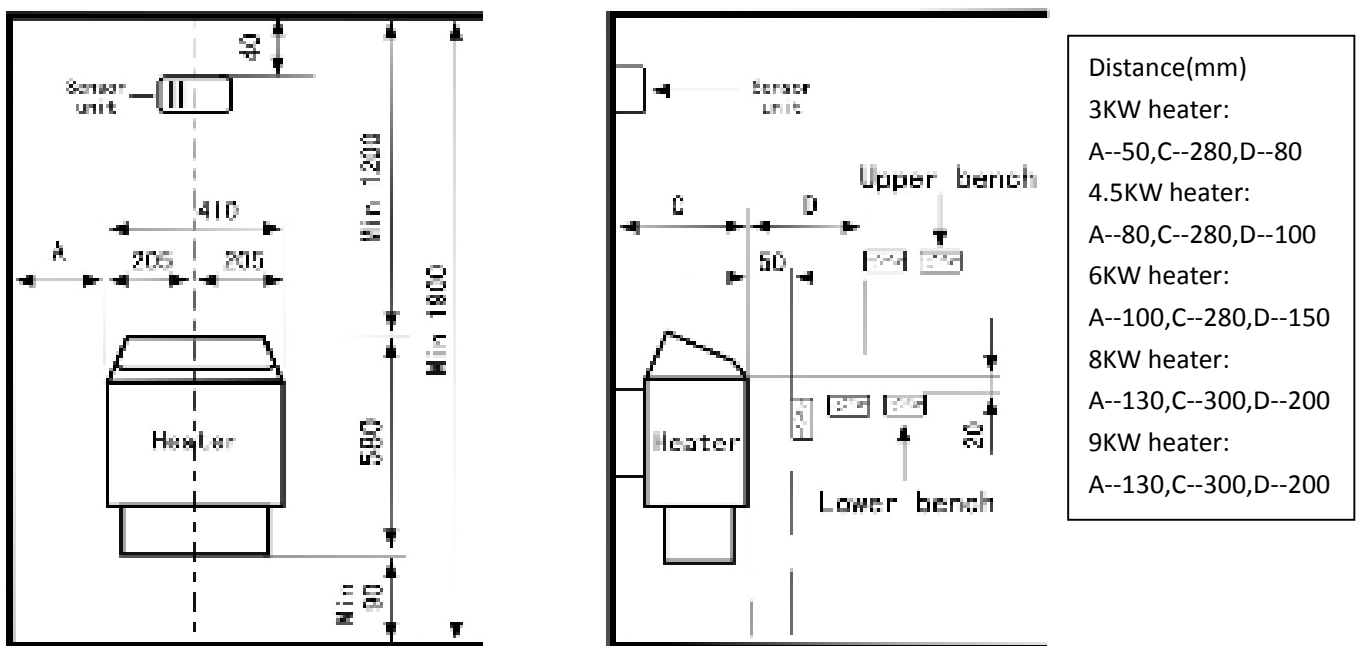
5. INSTALLATION DIAGRAM OF TEMPERATURE SENSOR AND SAUNA HEATER

Temperature sensor and sauna heater must be installed strictly according to the following diagrams. (See fig3 and fig4)

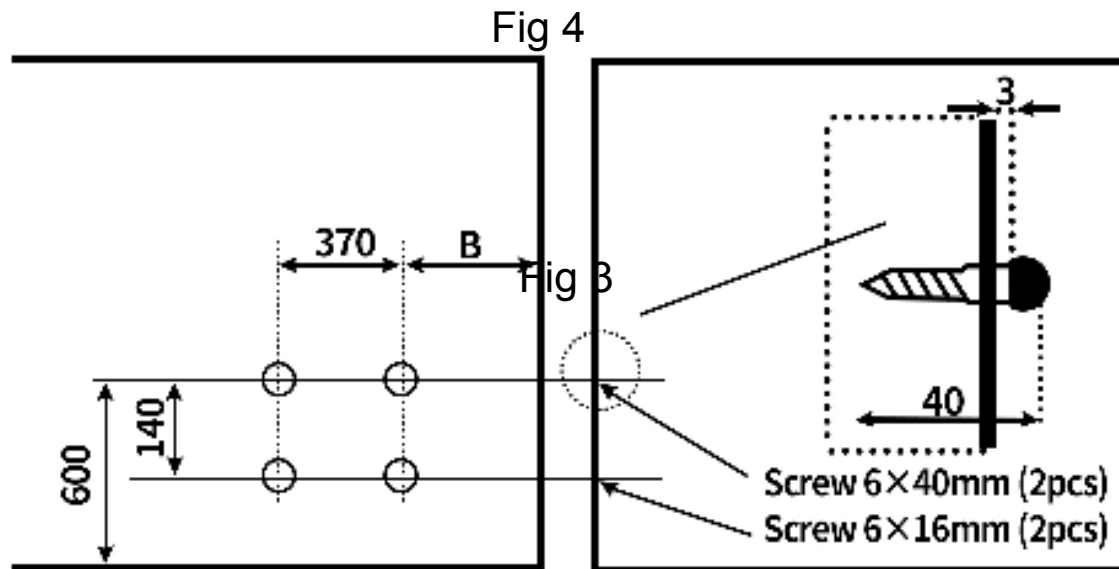
Failure to follow these causes too high temperature and a fire hazard (Unit: mm).

Noted: the upper screws must be fastened tight, the minimum distances between screw head and wall is 3mm.

Fig 3



Model	Power Kw	Sauna room			Minimum Distance From heater to				Cables to 400V (mm ²)
		Volume(m ³)		Height min.(cm)	Side&Ba ck wall min.(cm)	If 500mm over from floor guard rail min.(cm)	Ceiling min.(cm)	Floor Min.(cm)	
Min	Max								
SCA-30	3.0	2	4	190	5	5	110	18	1.5
SCA-45	4.5	3	6	190	8	8	110	18	1.5
SCA-60	6.0	5	9	190	10	15	110	18	1.5
SCA-80	8.0	8	12	190	13	20	110	18	2.5
SCA-90	9.0	9	13	190	13	20	110	18	2.5



Remark: 1. The wall behind the heater is not allowed to be covered by materials like asbestos cement, asbestos board and so on, because this sort of covering layer could cause high temperature and a risk of burn.

Remark: 2. Must use qualified materials for the walls and ceiling.

6.SAUNA ROCKS

Load sufficient sauna rocks(10-15kg) into the sauna heater after finishing the installation of sauna heater and controller.

ATTENTION: Sauna rocks must be of best quality because temperature inside sauna heater is extremely high. Rocks of inferior quality cant withstand heat and they maybe easily broken or crumbling because of the huge heat changing, which may damage heating elements. Or these stones may counteract the heat circulation because they are easily oxidized, then sauna heater maybe damaged while stone being heated or being poured water to make vapors.

7. VENTILATION

To have a soothing sauna bath, there should be a proper mixing of hot and cold air inside the sauna room. Another reason for ventilation is to draw air around the sauna heater and move the heat to farthest part of sauna room.

The inlet vent with diameter more than 6cm should be installed directly below the sauna heater. (See fig 5)

The outlet vent should be installed diagonally opposite to the inlet, its suggested to place under the platform inside the sauna room as far as possible from the inlet vent. The diameter of outlet vent should be twice as big as the inlet, it may be installed far away the floor and under the bottom of the upper bench.

8. GUARD RAIL

Please follow the minimum distances requirements in fig 6 if guardrail is desired for the heater.

Fig 5

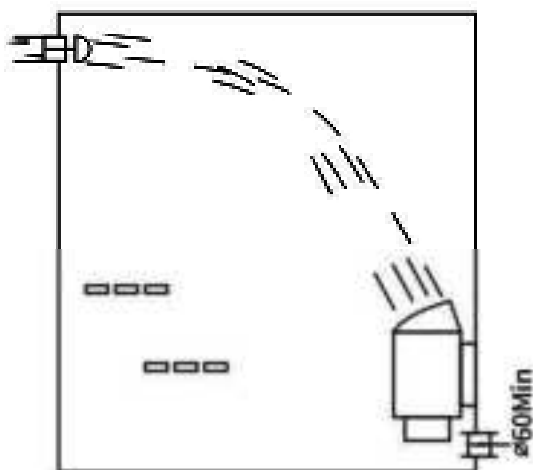
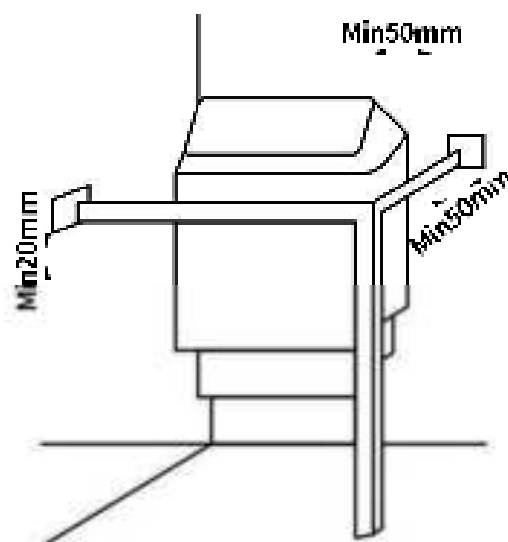


Fig 6



9.WARNING

① Electrical shock hazard-----To avoid electrical shock hazard, all installations and relevant services shall be performed by qualified personnel.

② Sauna bath time should be less than half an hour. Bathing too long may cause heart beating too fast, heartache, feeling weak or dizzy. User should stop sauna bath immediately as soon as the above symptoms occur.

③ Sauna bath may cause tension of bathers. Thus, those who have one of the symptoms as below, should take sauna bath under direction by physician:

A. Being pregnant B. Having heart disease

C. Having high blood pressure

D. Having circulation system disease E. After drinking

F. After taking medicine G. Diabetes H. Not feeling well

④ Children must be under the company of adult during sauna bath.

⑤ Risk of scald: Must not touch or move the sauna heater during heating. Stay at least 30cm away from the hot heater.

⑥ Use ordinary drinking water only.

It may damage the heating elements when water with other materials is poured into the stone compartment, which is beyond our guarantee.

10.GUARANTEEE

The following situation are not guaranteed:

- 1) Installation or dis-assembly of inside structure by unprofessional personnel;
- 2) Supply voltage fluctuation range $>\pm 10\%$;
- 3) Unqualified rocks on sauna heater's operation;
- 4) Installation without following the dimension instruction inside manual

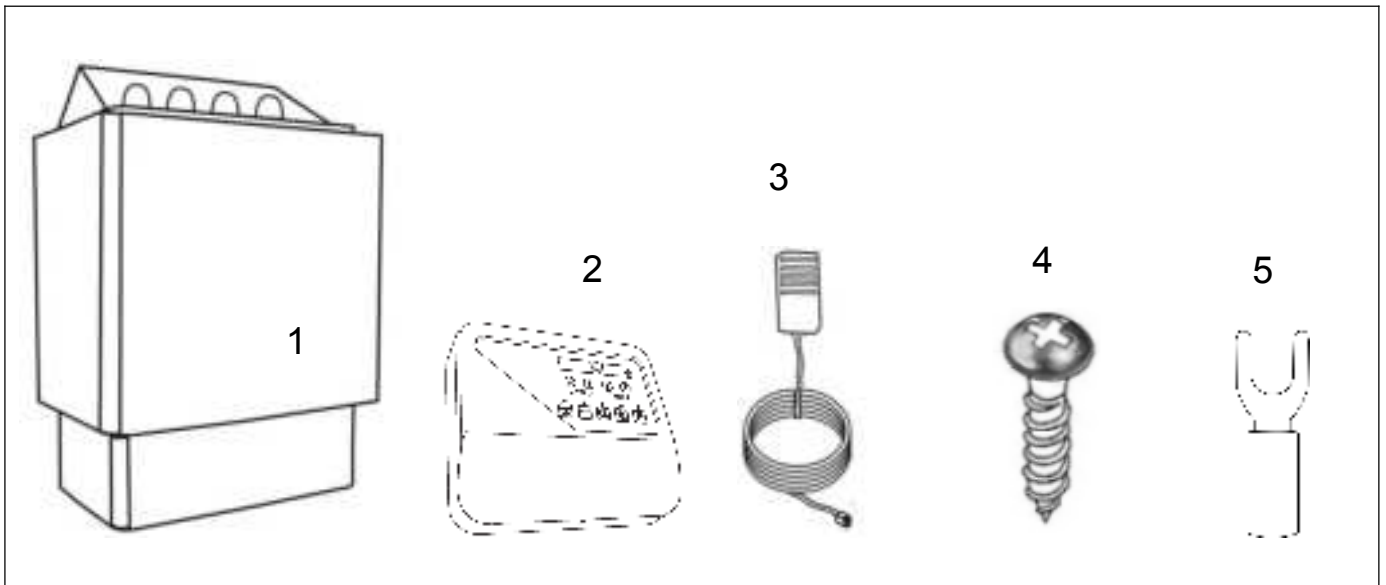
11.TROUBLESHOOTING

Symptom	Possible cause	Remedy
"E1" showed on the display panel	Temperature sensor's measuring circuit broken.	Check the wires to the temperature sensor and their connections (see Fig2 and Fig7) for faults.
No Heat	Overheat protector's measuring circuit broken.	Press the overheat protector's reset link inside the temperature sensor unit. (see Fig2)
No light on the display panel	Connection wire between display panel and power panel with faults.	Check the wire's connections for loosen.

12.BEFORE INSTALLATION

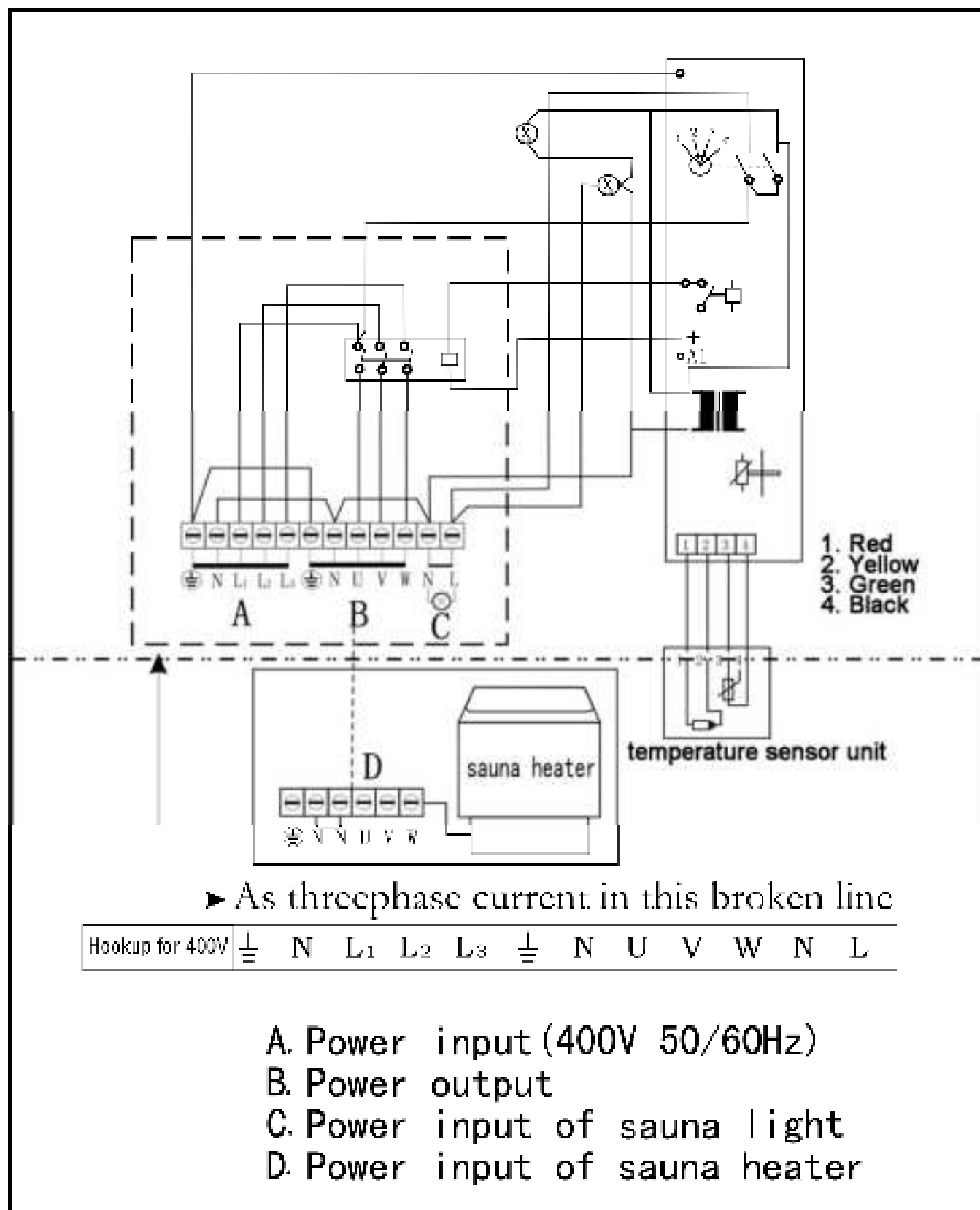
Parts

Check that the following parts are included in the packaging:

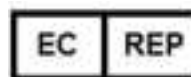


1. Sauna heater
2. Sauna control panel
3. Temperature sensor unit
4. Bracket screws x 7 (4*12mm 3pcs for sauna control panel ; 6*40mm 2pcs, 6*16mm 2pcs for sauna heater)
5. Fork terminal x 15 (10pcs for control panel, 5pcs for sauna heater)

Attached Diagram (Fig 7)



EU Importer: WAITCHX
Address: 250 bis boulevard Saint-Germain 75007 Paris



EUREP GmbH
Unterlettenweg 1a, 85051 Ingoisstadt,
Germany

Manufacturer:

QINGYUAN FENLE SAUNA & POOL EQUIPMENTS CO., LTD.

Address:

**M1-10, YINGFU INDUSTRIAL PARK, HIGH & NEW TECHNOLOGY INDUSTRIAL
DEVELOPMENT ZONE, CN**